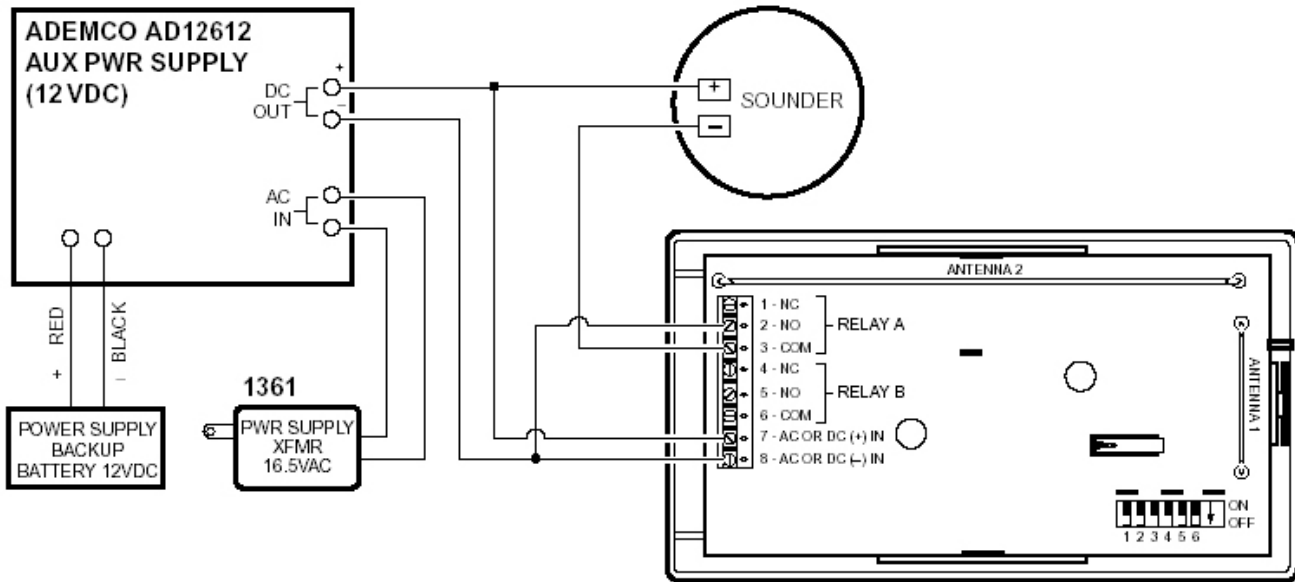


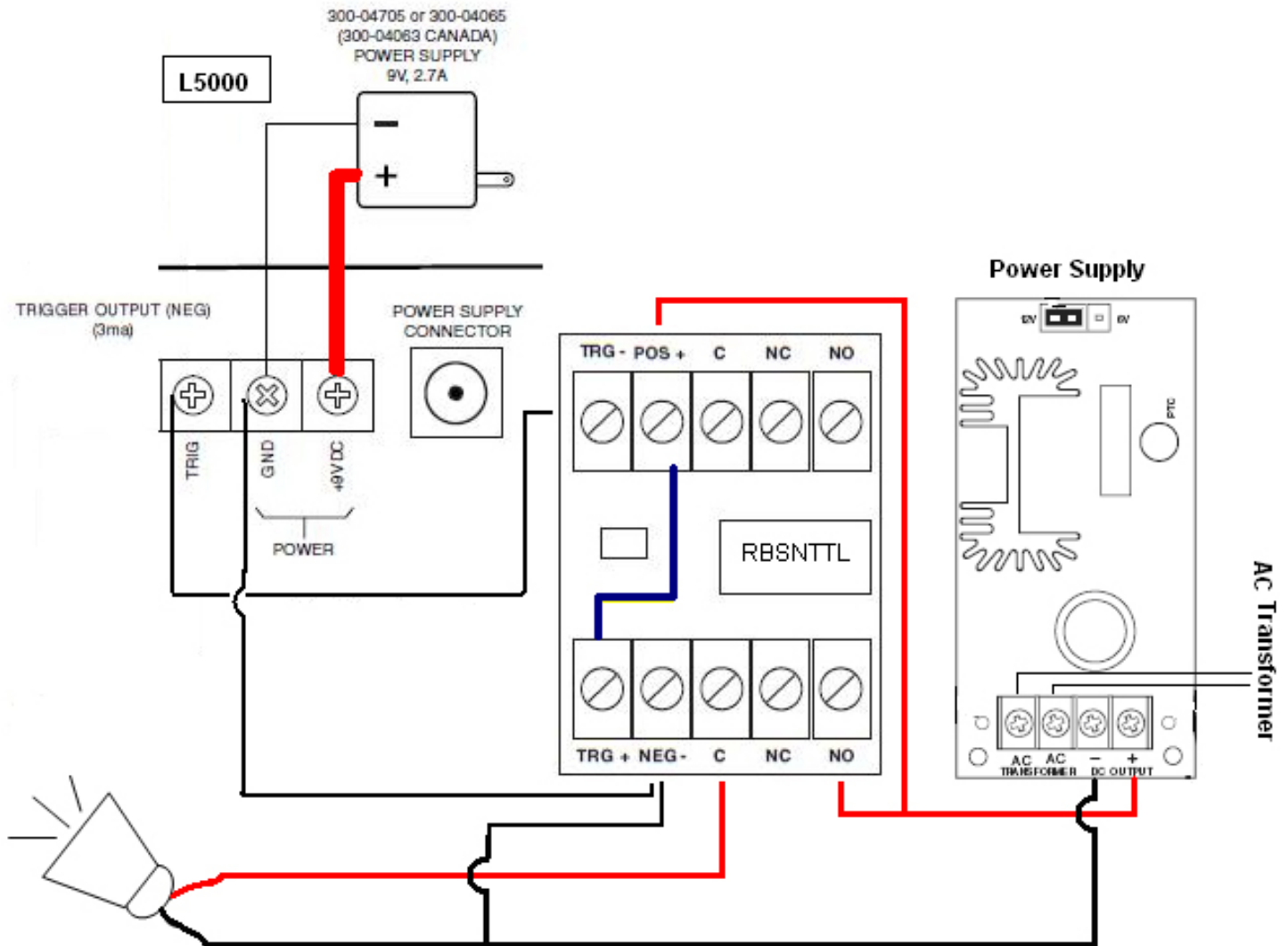
# Options for External Sounders on the L5200/L7000

The Lynx Touch System is intended to use the 5800Wave Wireless Siren if additional sounding is needed. There is no Siren output. If you want to add Hardwire Sirens you have the two options below.

1. If you desire a sounder in a location where you can not get a wire from the L5200/L7000 you have the option to use a Wireless 5800RL following this setup:



2. If you can get a wire from the L5200/L7000 to where you want the sounder you can use this setup:  
 (An Altronix RBSN-TTL relay and power supply are required)



Due to the 3mA current limit of the L55200/L7000 output trigger, the Altronix TTL Sensitive relay must be used. A jumper wire is required from TRG+ to the POS+ terminal, as well as a common ground.

In Device Programming, program the Trigger with an Action and Start and Stop event, such as Permanent On, Start on System Operation-Any Burglar Alarm, Stop on System Operation-Bell Timeout.

1. To do this go to the 'More' tab then to the 'Tools' tab. Enter your installer code.
2. You will then choose 'Rules'
3. Choose a rule and then touch 'Edit'
4. You will then be taken into that rule's setup
5. Touch 'Type' until it changes to 'Trigger Output'
6. You will then touch 'Action' until it changes to 'Permanent On'
7. You will then touch 'Start on System Operation' and another screen will be presented to you
8. On this screen choose 'Any Burglar Alarm'

9. You will be taken back to the previous screen
10. Now touch 'Stop on system Operation' and another screen will be presented to you
11. On this screen choose 'Bell Timeout'
12. You will be taken back to the previous screen
13. Touch 'Save' and then back all the way out of programming