

See inside of carton for installation instructions.

BATTERY CAUTION: Risk of fire, explosion and burns. Do not recharge, disassemble, heat above 212 F (100 C) or incinerate. Dispose of used batteries properly. Keep away from children.

Battery Information
 Replace battery only with:
 Energizer L92 AAA Lithium or
 AAA Alkaline, Duracell MX2400,
 Panasonic AM-4PI,
 Eveready Energizer EN92.
 Observe correct polarity.
NOTE
 Alkaline Battery Will Yield Less
 Battery Life than Lithium

REFER TO THE INSTALLATION INSTRUCTIONS FOR THE CONTROL WITH WHICH THIS DEVICE IS USED, FOR DETAILS REGARDING LIMITATIONS OF THE ENTIRE ALARM SYSTEM.

Perforation (1/4 x 1/8)

5820L is a single-zone Slim-Line Door/Window contact transmitter that provides wireless notification of intrusion.

NOTE
 During the programming of the control panel transmitter must be enrolled as Input Type 3, Supervised RF), Loop 1.

Installation
 1. Temporarily mount the 5820L and magnet using the double-back tape provided.

NOTE
 Before mounting permanently using the double-back tape or mounting screws, conduct a Go/No Go test to verify adequate signal strength and reorient or relocate the transmitter if necessary

2. If the Go/No Go test was successful, remove the transmitters cover by inserting the flat blade of a small screw-driver into the opening slot at one end of the unit as shown in the diagram and separate the two halves.

3. The 5820L must only be mounted against a flat surface. A curved surface would cause undo stress to the unit and possible failure to operate properly.

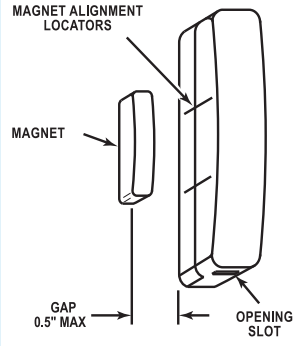
4. Install mounting screws in the two outside mounting holes as shown in the diagram using a #1 Phillips.

5. If the case-back tamper switch will be used, install a third screw in the middle hole.

6. Mount the magnet (supplied) adjacent to the two vertical positioning lines on the case side (see diagram). The gap can be one-half of an inch maximum.

7. To reinstall the cover, position the cover so that it covers the mounted case-back, and snap-shut. The two case halves can only be fitted together in one direction.

NOTE
 Do NOT attempt to remove the PCB from the plastic cover for any reason.



FCC / IC Statement:

This device complies with Part 15 of the FCC Rules, and RSS 210 of IC. Operation is subject to the following two conditions: (1) This device may not cause harmful interference (2) This device must accept any interference received, including interference that may cause undesired operation.

Cet appareil est conforme à la partie 15 des règles de la FCC & de RSS 210 des Industries Canada. Son fonctionnement est soumis aux conditions suivantes: (1) Cet appareil ne doit pas causer d'interférences nuisibles. (2) Cet appareil doit accepter toute interférence reçue y compris les interférences causant une réception indésirable.

FOR DOCUMENTATION AND ONLINE SUPPORT
<http://www.security.honeywell.com/hsc/resources/MyWebTech>

FOR WARRANTY INFORMATION GO TO:
<http://www.security.honeywell.com/hsc/resources/wa>

See inside of carton for installation instructions.