

English	1
Detector features.....	5
Introduction	5
Safety information	5
Warnings	5
Box contents	5
Accessories	6
Parts identification	6
Ordering detector batteries.....	7
Disassembling the device.....	8
Enrollment Compatible panels.....	9
Enrolling the device	9
Mounting	10
Mounting guidelines.....	10
Additional guidelines.....	10
Mounting on a wall.....	11
Mounting on a pole	15
Mounting a second detector in the opposite direction on a pole	16
Device settings.....	17
Switch functions.....	17
Setting the 4-Channel beam frequency selector	17
Installation examples.....	18
Optical alignment	20
Alignment angles	20
Aligning the device	20
Testing the Device	22
Battery saving timer	22
Optional settings	23
Troubleshooting	24
Replacing the batteries	24
Dimensions	25
Specifications	26
Compliance with standards	27
Limited Warranty	28
Français	32
Caractéristiques du détecteur	32

Introduction	32
Consignes de sécurité.....	32
Contenu du carton.....	32
Accessoires	33
Identification des pièces	33
Commande de piles pour le détecteur	34
Démontage de l'appareil	35
Enregistrement Centrales compatibles.....	37
Enregistrement de l'appareil.....	37
Montage	38
Consignes supplémentaires	38
Montage mural.....	39
Fixation sur un montant.....	43
Fixation d'un deuxième détecteur sur un montant dans la direction opposée.....	44
Réglages de l'appareil.....	45
Fonctions des interrupteurs	45
Réglage du sélecteur de fréquence de faisceau 4 canaux.....	45
Exemples d'installation.....	46
Alignement optique	48
Angles d'alignement	48
Alignement de l'appareil	48
Test de l'appareil.....	51
Minuterie d'économie des piles.....	51
Paramètres facultatifs	52
Dépannage.....	53
Remplacement des piles.....	53
Dimensions	54
Spécifications	55
Conformité aux normes.....	56
Garantie limitée	57
Español.....	61
Características del detector	61
Introducción.....	61
Información sobre seguridad.....	61
Contenido de la caja	61
Accesorios	62
Identificación de piezas	62
Pedido de las baterías del detector.....	63
Desmontaje del dispositivo.....	64
Inscripción Paneles compatibles	66

Registrar el dispositivo	66
Montaje	67
Directrices adicionales.....	67
Montaje en una pared.....	68
Montaje en un poste	72
Montar un segundo detector en dirección opuesta en un poste.....	73
Ajustes del dispositivo	74
Funciones del interruptor	74
Ajuste del selector de frecuencia del haz de 4 canales.....	74
Ejemplos de instalación	75
Alineación óptica.....	77
Ángulos de alineación	77
Alineación del dispositivo	77
Prueba del dispositivo	79
Temporizador ahorro de batería	79
Ajustes opcionales	81
Solución de problemas.....	82
Sustitución de las baterías	82
Dimensiones	83
Especificaciones	84
Cumplimiento de normativas.....	85
Garantía limitada.....	86
Português	90
Recursos do detector	90
Introdução	90
Informação de Segurança.....	90
Conteúdo da caixa	90
Acessórios	91
Identificação das peças	91
Pedido de baterias de detectores	92
Desmontagem do dispositivo	93
Inscrição Painéis compatíveis	95
Registrando o dispositivo	95
Montagem	96
Diretrizes adicionais	96
Montagem em uma parede	97
Montagem em um poste.....	101
Montagem de um segundo detector na direção oposta em um poste	102
Configurações do dispositivo	103
Funções da chave	103

Configuração do seletor de frequência de feixe de 4 canais.....	103
Exemplos de instalação	104
Alinhamento óptico.....	106
Ângulos de alinhamento	106
Alinhamento do dispositivo	106
Teste do dispositivo	108
Temporizador de economia da bateria	108
Configurações opcionais.....	110
Solução de problemas	111
Troca da bateria	111
Dimensões	112
Especificações	113
Conformidade com os padrões	114
Garantia Limitada.....	115

Detector features

- Battery saving function
- IP65 waterproof rating (Not evaluated by UL)
- 4-channel beam frequency selector
- Environmental disqualification circuit for configuring behavior in adverse weather conditions
- Tamper function
- Outdoor detection range of 350 ft

Introduction

The PG9350SL is a PowerG wireless photoelectric beam detector that provides protection for outdoor perimeters.

Warning: Failure to follow the instructions provided with this device, or improper handling, may cause death or serious injury.

Safety information

Warnings

- Do not use the product for purposes other than the detection of moving objects such as people and vehicles.
- Do not use the product for unintended purposes, such as activating a shutter, which may cause an accident.
- Do not touch the product when it is wet or touch the unit base or power terminals of the product with wet hands. It may cause electric shock.
- Do not pour water over the product as it may cause damage.
- Never attempt to disassemble or repair the product. It may cause fire or damage to the devices.
- Do not use batteries that have different levels of power remaining, that is, new and used batteries. Not observing these guidelines may result in an explosion, leakage of electrolyte, emission of toxic gases, or other outcomes that may be harmful to people and property.
- When handling batteries, do not recharge, short circuit, crush, disassemble, exceed heat above 100°C (212°F), incinerate, or expose the contents to water. Do not solder directly to the cell. Not observing these guidelines may result in fire, explosion, or severe burn hazard.
- Clean and check the product periodically for safe use. If any problem is found, stop using the product, and have the product repaired by a professional engineer or electrician.

Box contents

Transmitter and receiver modules
Product documentation
Hardware pack

Accessories



4×20 self tapping for wall mounting
(with rubber washer): 12



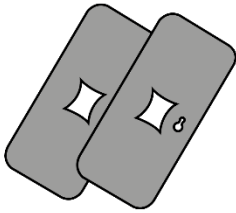
Pole brackets
(with double-sided tape): 4



M4×30 screws for pole mounting
(with rubber washer): 8

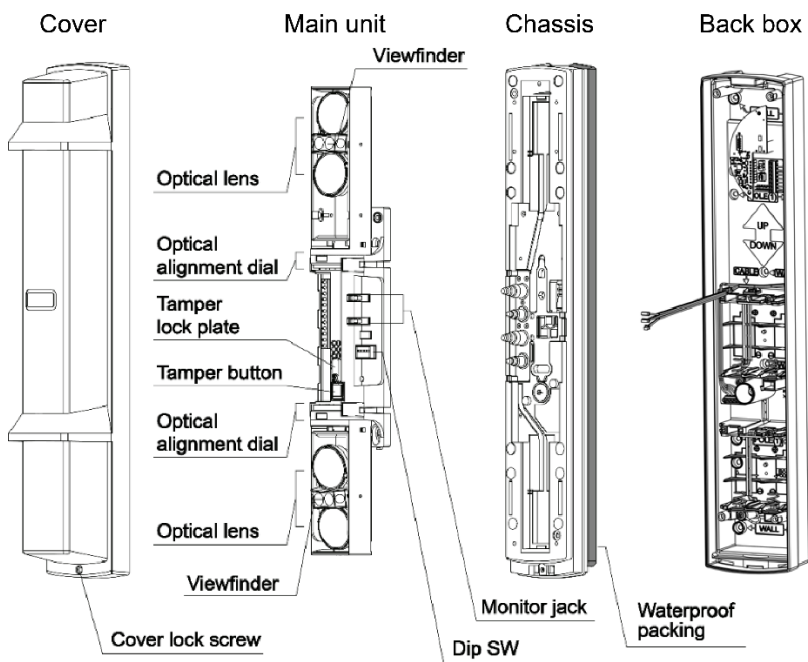


U-brackets: 4



Beam blocking plate: 2
(attached on the back of the cover)

Parts identification



Ordering detector batteries

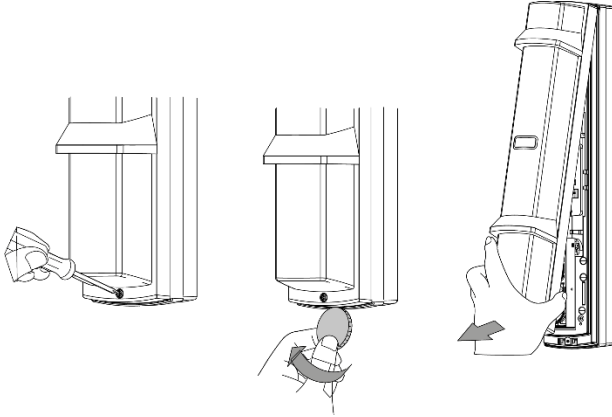
The specified batteries for the device are four (4) LSH20 batteries manufactured by SAFT, two for the transmitter and two for the receiver.

For information about batteries, visit the following website and contact your local SAFT sales representative. See <http://www.saftbatteries.com/battery-search/lsh-lsh/>.

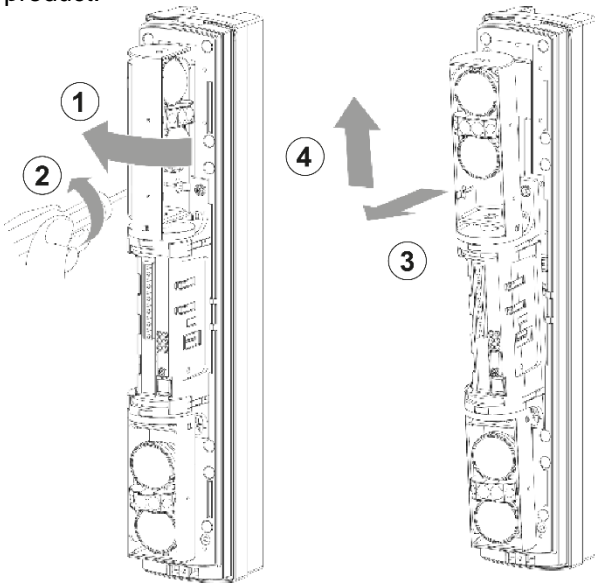
Disassembling the device

Disassemble the device before enrolling and mounting.

1. Loosen the cover lock screw with a screwdriver.
2. Place a coin in the recess and twist slightly to remove the cover.
3. Pull the cover from the back of the device.



4. To remove the main unit from the chassis, turn the optical unit 90° and remove the screws from both sides.
5. Pull the upper part of the main unit forward and up to remove it.
Caution: Do not place the main unit where it is exposed to direct sunlight. Doing so may cause damage to the product.



6. Loosen the 5 screws from the back cover and remove the chassis from the back-box.

Note: Complete the Disassembly process for both the transmitter and receiver before mounting the device.

Enrollment

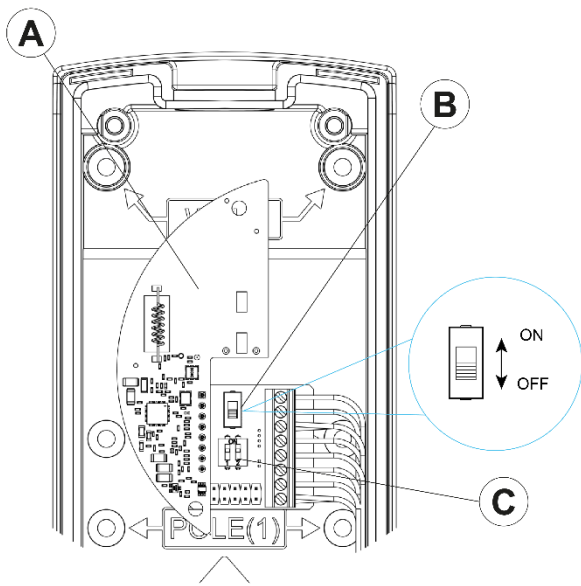
Compatible panels

- PowerSeries NEO (v1.37 and higher)
- PowerSeries Pro (v1.31 and higher)
- IQ2+ (v2.6.2 and higher)
- IQ Hub (v3.0.1 and higher)
- IQ4 (v4.0.1 and higher)

Enrolling the device

The device begins the enrollment process when the PowerG module is powered on. The PowerG module is a card in the detector.

Note: Enroll both the transmitter and receiver onto the control panel. The modules can be enrolled in any order.



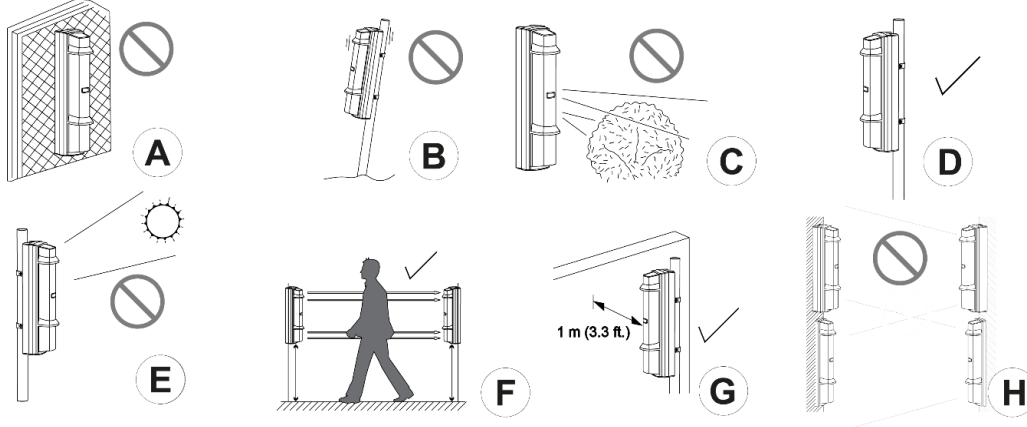
A	PowerG daughter card			
B	PowerG power switch			
C	Configuration dipswitches	Configuration	Dipswitch 1	Dipswitch 2
		Receiver	On	On
		Transmitter	Off	On

1. Ensure the control panel is in enrollment mode.
2. Install batteries in the detector.
3. Turn the PowerG module power switch located on the interface board to the ON position. Refer to the control panel installation manual for a complete set of enrollment instructions.
 - If the automatic enrollment procedure fails, refer to the control panel instructions and enroll the device manually.
4. **Optional:** Configure any optional settings on the interface board. See the *Optional settings* section.
5. **Important!** Turn the switch to the OFF position and remove the batteries. The batteries will be reinserted after you mount the device.

Note: Complete enrollment for both the transmitter and receiver before mounting the device.

Mounting

Mounting guidelines

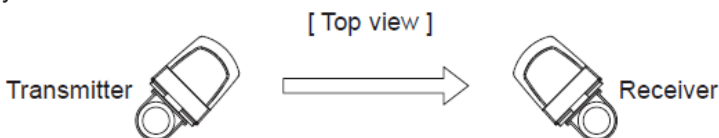


A	Do not mount the device on an unstable surface
B	Do not mount the device on an unstable pole.
C	Do not mount the device near trees or other objects that may block the beam.
D	When mounting on a pole, the pole diameter size should be 34 - 48 mm (1.34" - 1.89").
E	Direct sunlight can affect device performance. Avoid mounting the device where it is exposed to a lot of direct sunlight.
F	Mount the device at a height of 0.7 to 1m (2.3 ft to 3.3 ft).
G	Mount the device at least 1 m (3.3 ft.) away from a wall or fence that is parallel to the beam.
H	Do not mount the device where the infrared beam from a different model can reach the receiver

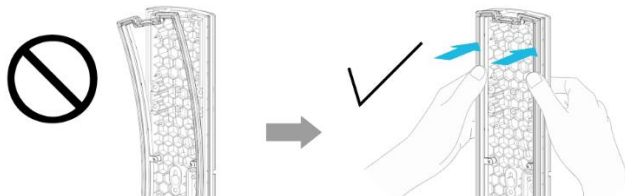
Important: Completely install all components of the detector to comply with the IP65 standard requirements.

Additional guidelines

- Avoid cables being caught between the chassis and back-box when mounting this device.
- If you accidentally open an unnecessary knockout, be sure to fill the knockout. Not doing so may result in waterproof failure and malfunction of the product. The sealant used can be silicone or plastic putty. Do not use Siloxane as this may corrode the PCB. Sealant with less than 0.1% Siloxane is acceptable.
- Do not touch or move the optical unit when mounting the cover. This may shift the optical axis and require a readjustment.
- Avoid mounting the transmitter and receiver at a 45 ° angle as shown below. This will reduce the detection range by 50%.

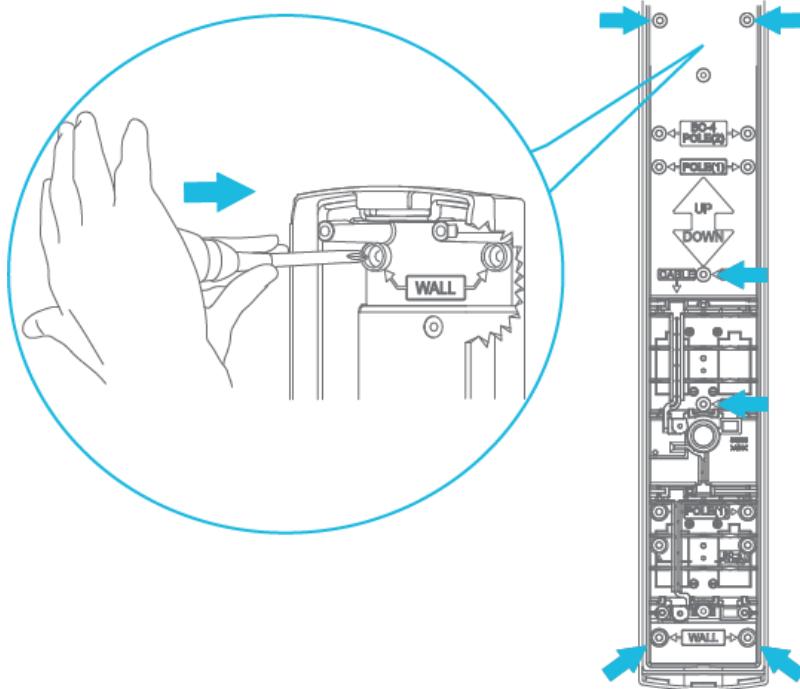


- Ensure the waterproof packing is attached before mounting to preserve the IP rating of the device.

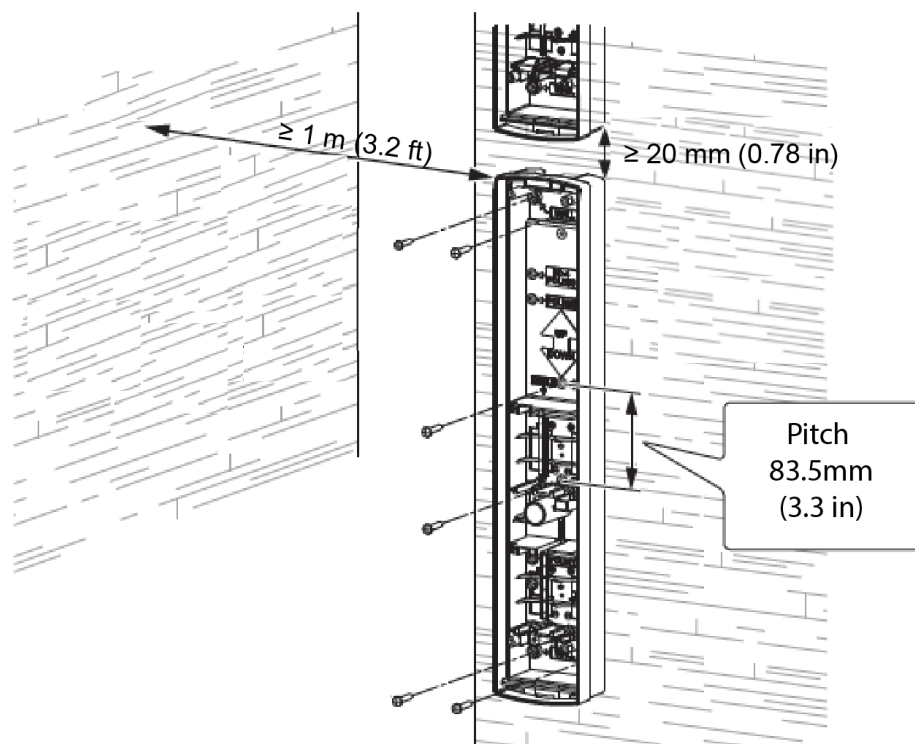


Mounting on a wall

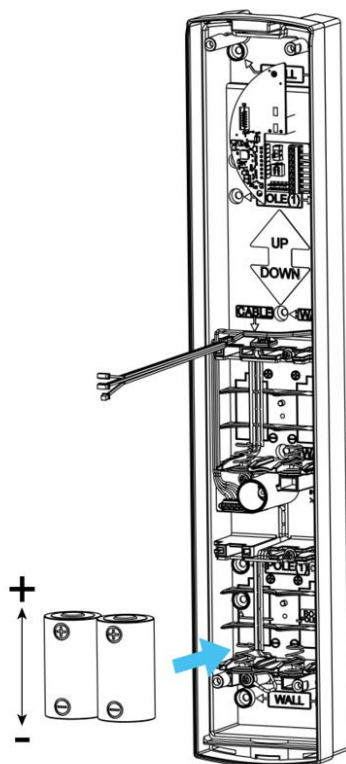
1. Using a screwdriver or similar tool, break the six knockouts in the back-box. The knockout positions are marked **WALL**.



2. Mount the back-box to the wall with the 4x20 screws. If two detectors are installed, the distance between the upper and lower detector should be at least 20 mm (0.78 in). If mounting in a corner location, ensure the distance from the side wall is at least 1 m (3.2 ft). Use a pitch of 83.5 mm (3.3 in) when connecting to a gang electric box.

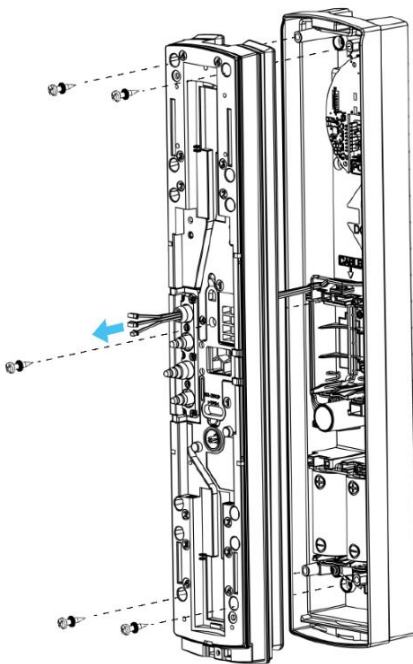


3. Insert two batteries into the lower battery recess of the back-box and set the RF module switch to the ON position.

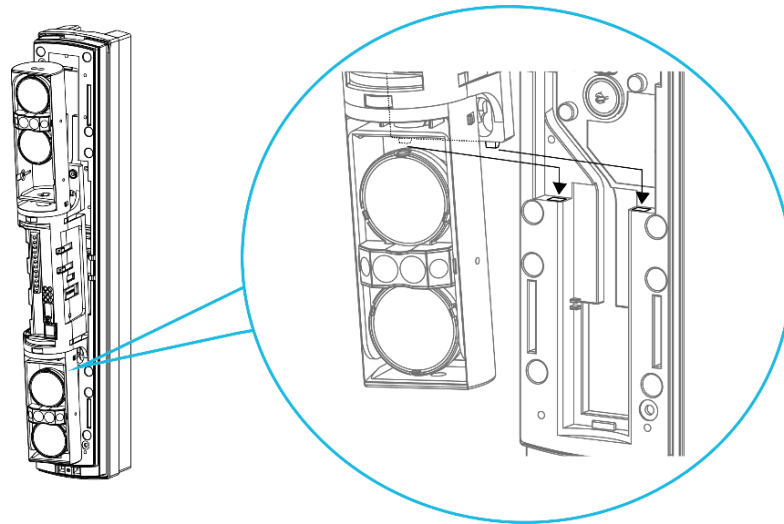


4. Pull the cable through the chassis and tighten the screws. Tighten the screws in this order:
 - a. Middle
 - b. Top left
 - c. Bottom left
 - d. Top right
 - e. Bottom right

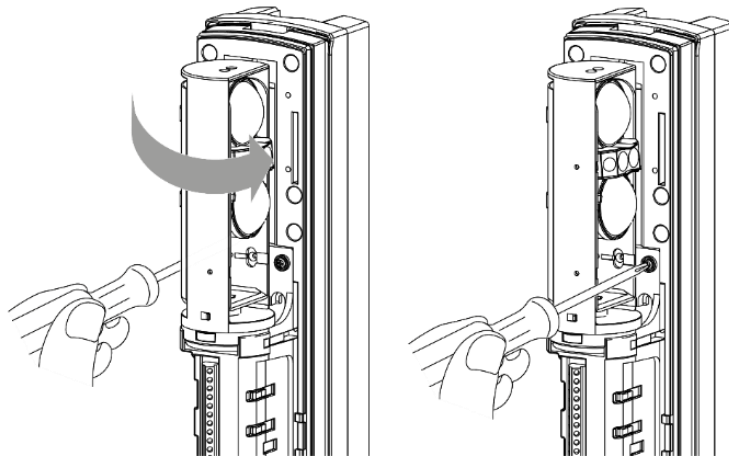
Caution: Tighten the screws completely by torque of 1.0 - 1.5 N·m. Not doing so may cause malfunction of the wall tamper.



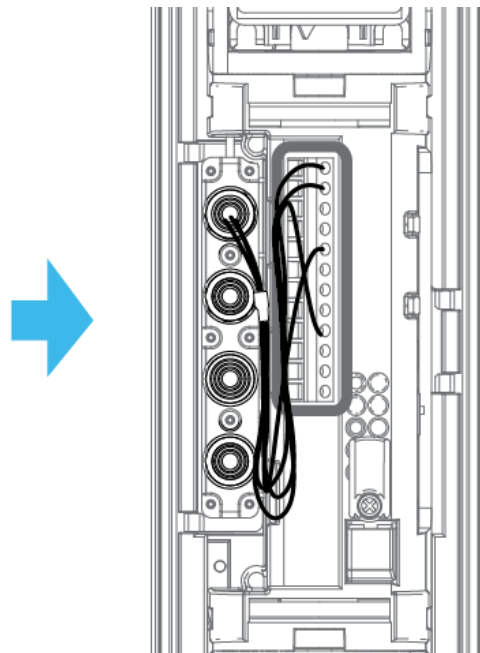
5. Insert the lower part of the main unit and push down to fix it onto the chassis.



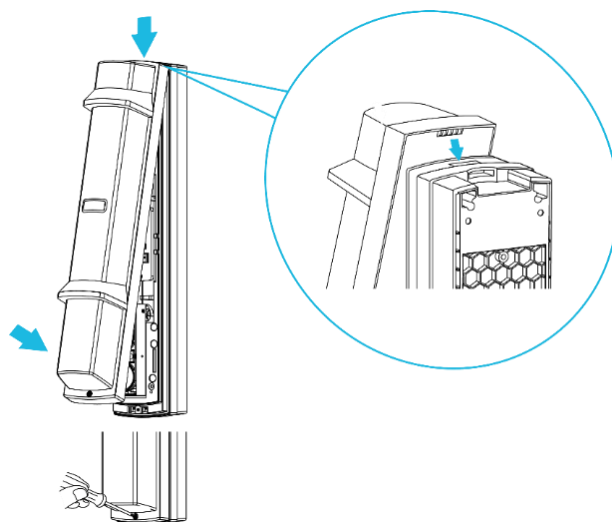
6. Turn the optical unit 90 degrees and tighten the screws on both sides.



7. Place the cables behind the blue rubber cones to prevent them catching under the main cover.



8. To close the cover, hook the cover onto the upper part of the chassis and push the lower part of the cover until it clicks into position.

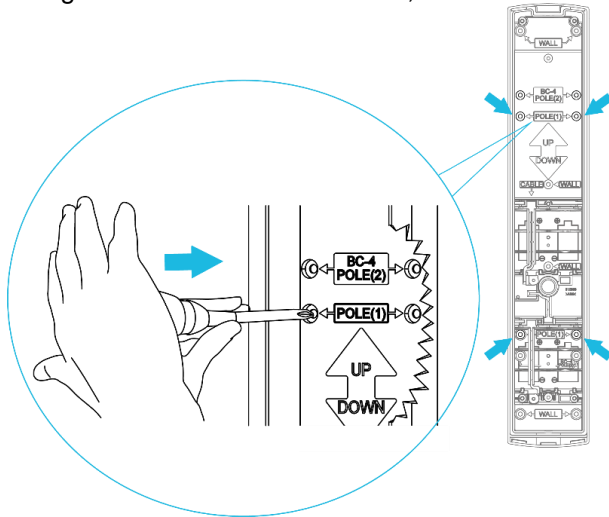


9. Fasten the cover lock screw.

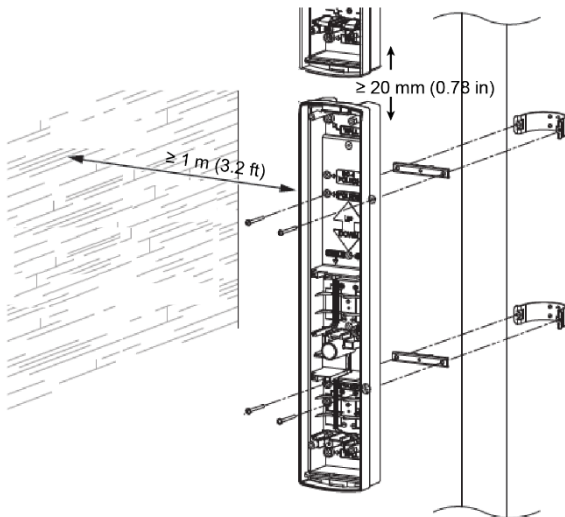
10. Push the middle part of the cover to hide the orange label completely when in operation.

Mounting on a pole

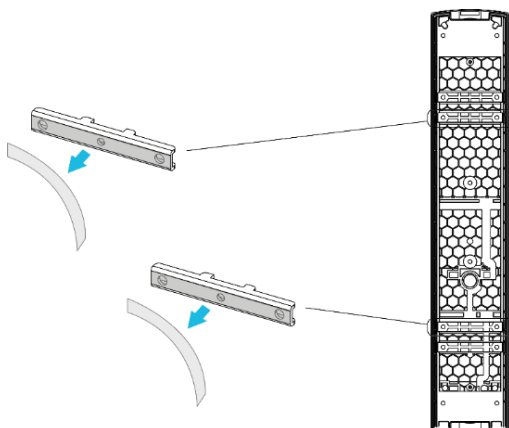
1. Using a screwdriver or similar tool, break the knockouts marked **POLE(1)** on the back-box.



2. Mount the back-box on the pole with the M4x30 screws. If installing two detectors vertically, the distance between the upper detector and lower detector should be at least 20 mm (0.78 in). If mounting in a corner location, ensure the distance from the side wall is at least 1m (3.2 ft).



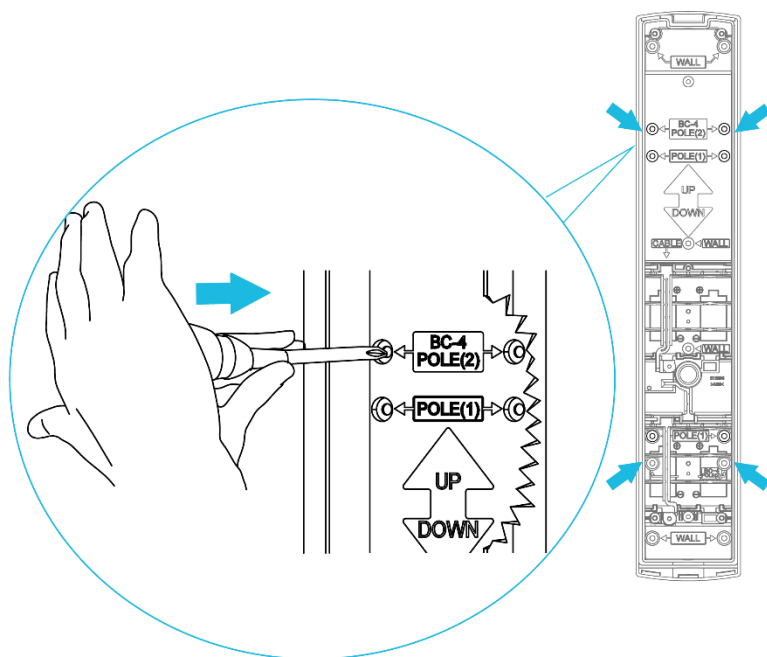
3. Attach double-sided tapes to the pole mounting brackets for easier mounting.



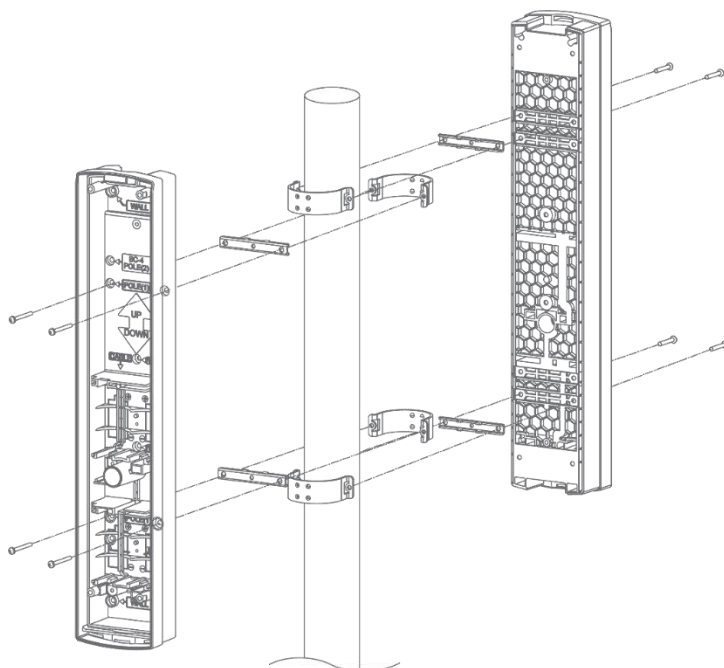
4. Complete steps 3 to 10 from the *Mounting on a wall* section.

Mounting a second detector in the opposite direction on a pole

1. For the second detector, using a screwdriver or similar tool, break the knockouts marked **POLE(2)** on the back-box



2. Mount the back-boxes on the pole with the M4x30 screws. Attach double-sided tapes to the pole mounting brackets to make it easier to mount the device using the brackets.

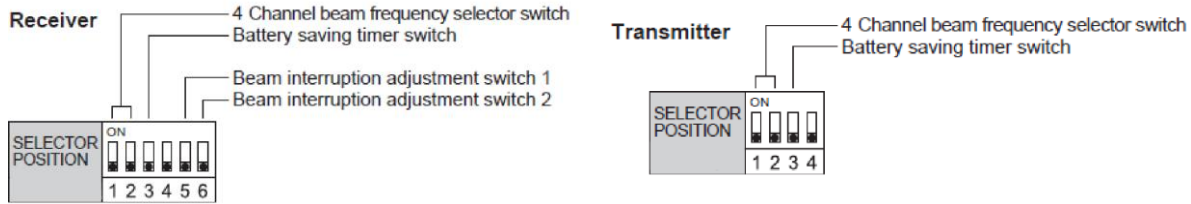


3. Complete steps 3 to 10 from the *Mounting on a wall* section.

Device settings

Warning: We do not recommend changing the default settings apart from the Battery saving timer. See *Battery saving timer* for more information. Changing the default settings can cause the device to function incorrectly and increases the chance of failure or false alarms.

Switch functions



Receiver

- 1 and 2: 4-Channel beam frequency selector switches
- 3: Battery saving timer switch
- 4: Not used. Leave this switch in the OFF position.
- 5: Beam interruption adjustment switch 1
- 6: Beam interruption adjustment switch 2

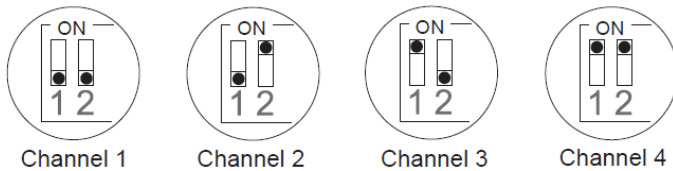
Transmitter

- 1 and 2: 4-Channel beam frequency selector switches
- 3: Battery saving timer switch
- 4: Not used. Leave this switch in the OFF position

Setting the 4-Channel beam frequency selector

Use the 4-Channel beam frequency selector avoid unwanted crosstalk when using multiple photoelectric detectors for long distance or beam stacking applications.

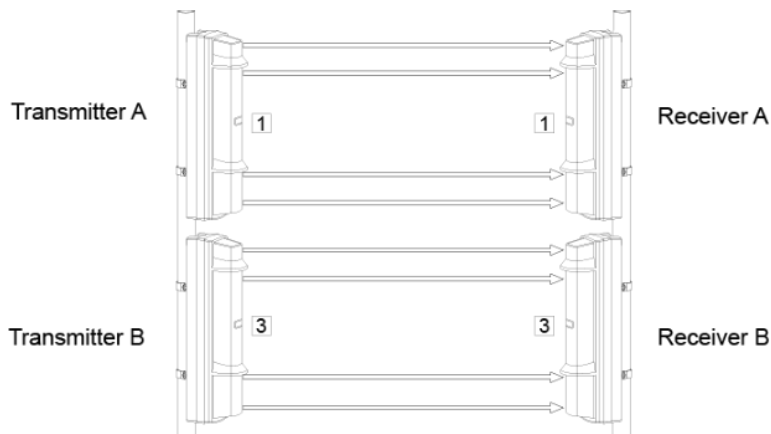
1. Use the pair of switches to select between 4 separate beam frequencies.



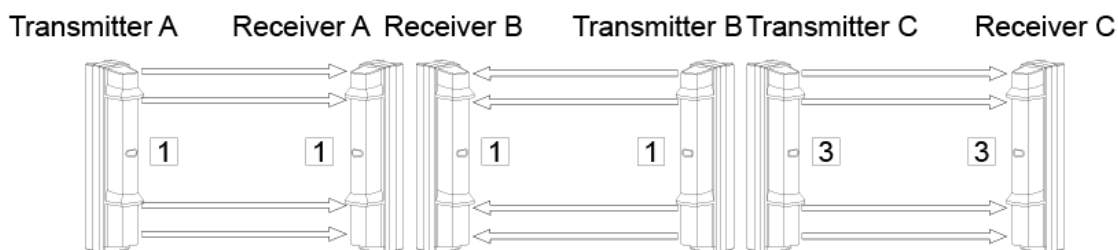
2. Make sure the receiver and transmitter that are facing each other are set to the same frequency.

Installation examples

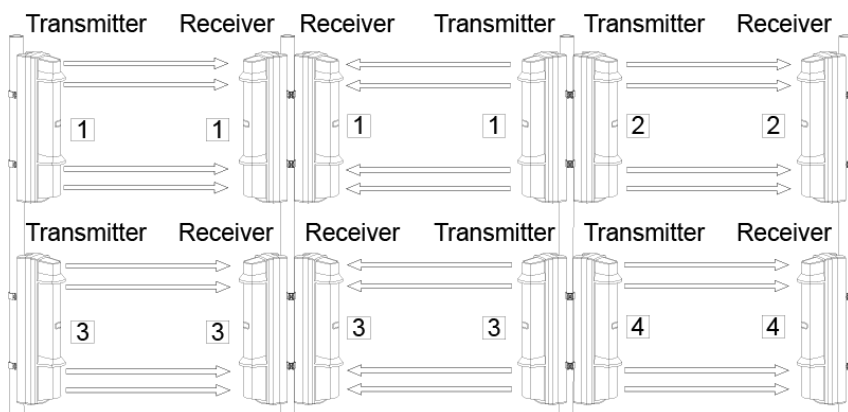
- a. Double stacked protection. Since Receiver B may receive the infrared beam from Transmitter A, select the frequencies as shown in the figure above. In the figure, the number in the square indicates the channel.



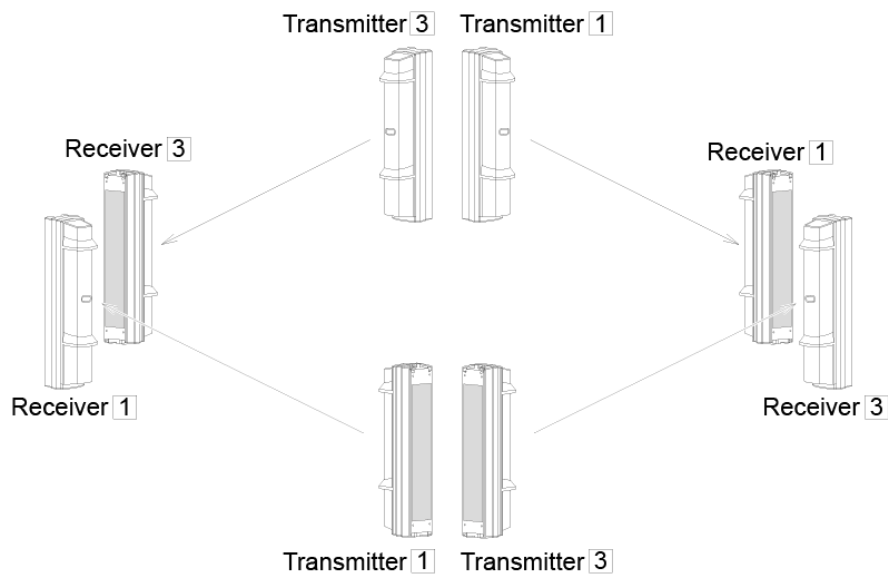
- b. Long distance protection. Since Receiver C may receive the infrared beam from Transmitter A, select their frequencies as shown in the figure below.



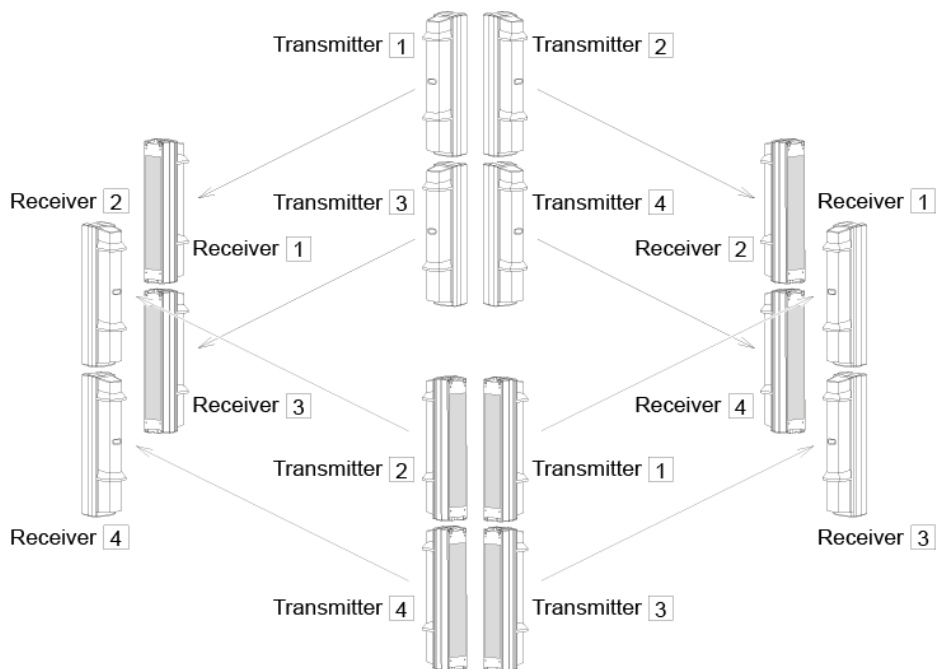
- c. Double-stacked long-distance protection. More than double-stacked application is not possible. Always switch the frequencies two channels apart when stacking devices on top of one another. For example, set the upper device to channel 1 and the lower device to channel 3, or channels 2 and 4 respectively.



d. Perimeter protection.



e. Perimeter protection in a two-stack configuration.



Warning:

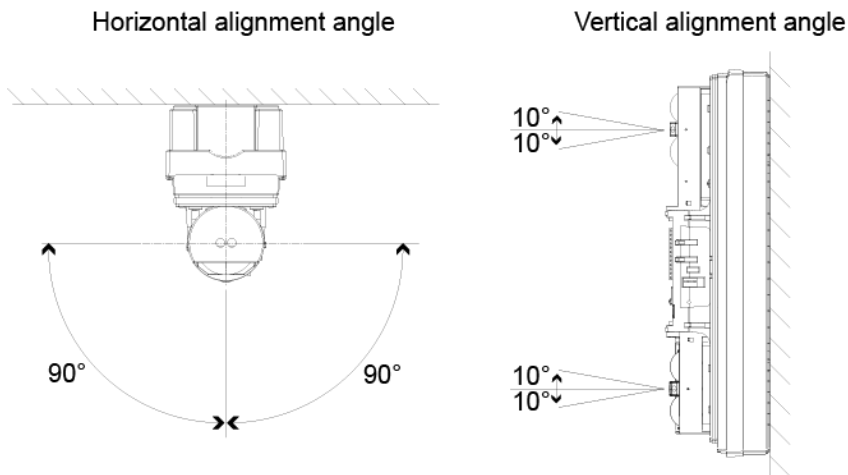
- Do not attempt to install this product with any other photoelectric detector. It may cause the detector to fail or trigger false alarms.

Optical alignment

After mounting, perform an optical alignment to ensure the device functions reliably.

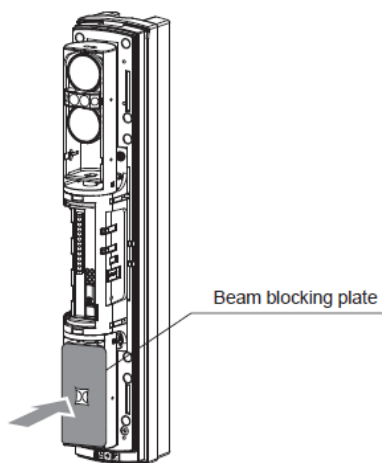
Caution: Do not touch the lens during optical adjustment.

Alignment angles

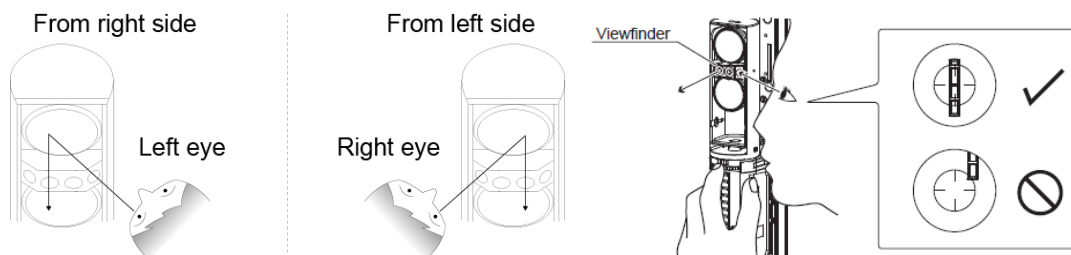


Aligning the device

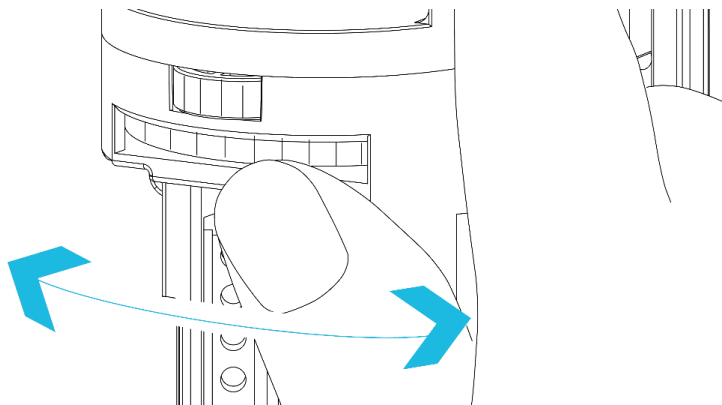
1. Perform a rough alignment of the horizontal angle.
 - a. Mount a beam blocking plate to the lower unit and then start optical alignment from the upper unit. The beam blocking plate is attached on the back of the cover.
 - b. Return the beam blocking plate to the cover after use.



2. Look into the viewfinder and perform fine alignment of the horizontal and vertical angles using the alignment dials.

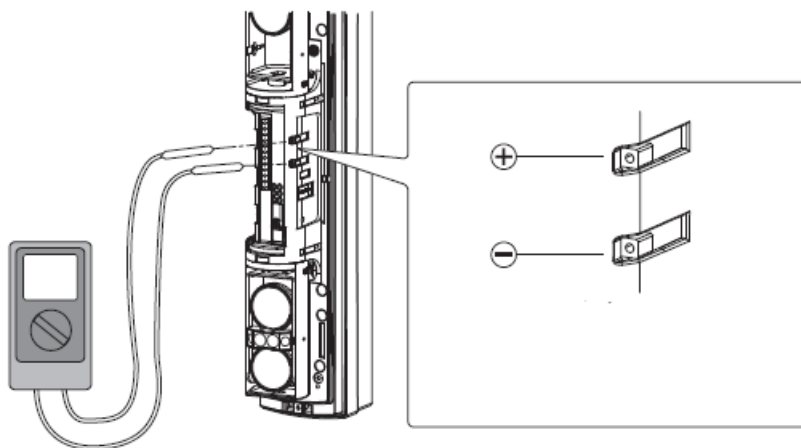


- Turn the small dial for horizontal alignment. Turn the large dial for vertical alignment.



Warning: Do not look through the viewfinder under strong light sources such as sunlight.

3. After the alignment using the viewfinder, make adjustment with the voltmeter for more accurate optical alignment.
 - a. Set the voltmeter range to 5 to 10 VDC.
 - b. Insert the voltmeter's positive pin into the positive terminal of the monitor jack, and the negative pin into the negative terminal.
 - c. Aim to achieve a monitor output level of "Excellent", or 2.8 V or more.



3. Adjust the horizontal and vertical angles while checking the Level indicator LED on the pairing receiver.

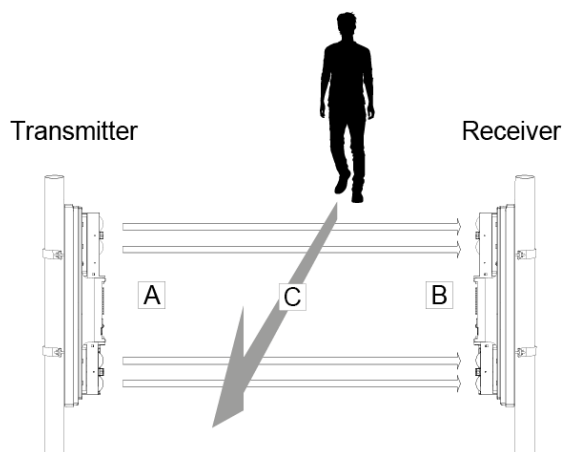
Level indicator LED	Beam interrupted	Beam received			
	ON (red)	Fast blink	Slow blink	OFF	
Adjustment level	Readjust angle		Fair	Good	Excellent
Monitor jack output	0 V		> 1.0 V	> 2.4 V	> 2.8 V

Note: The Alarm indicator and Level indicator LEDs are supporting tools for easy alignment. Always perform fine alignment with the monitor jack to ensure the maximum output level.

Testing the Device

After installation, complete the following steps to test the device is functioning correctly:

1. Ensure the Alarm indicator LED is off. If it is on when the beams are not blocked, perform the steps in the *Optical alignment* section again.
2. Ensure the low battery indicator LEDs on both transmitter and receiver are off. If the battery indicator LED is blinking, replace the batteries in the device.
3. Conduct a walk test to check that Alarm indicator LED on the receiver turns ON as the walker interrupts the beams. Conduct a walk test at the following three points:
 - A: In front of the transmitter
 - B: In front of the receiver
 - C: At the mid-point between the transmitter and receiver



4. (Optional) If using, enable the Battery saving timer after completing the walk test. See Battery saving timer.

The detector is operating properly when the Alarm indicator LED turns ON at all the three points

LED indications

The following table described the meaning of the LED indications of the device.

	Detection (beam interruption)	Normal	Low battery power
Alarm (receiver)	ON	OFF	—
Power (transmitter)	ON	ON	—
Low battery (receiver and transmitter)	—	—	Blink

Battery saving timer

Enable the battery saving timer after installation to avoid extra battery consumption and multiple alarm events. Enabling the battery saving timer sets a period of time that begins once the detector detects and transmits an event. Only one event transmits during this period, and any other successive events do not transmit until the period ends. See *Optional Settings* for the battery saving period DIP switch settings.

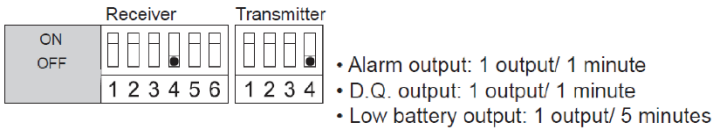
Notes:

- The battery saving timer must be turned off to effectively test the device.
- When installing on a wall or pole, make sure the cover is properly attached to main unit.

Optional settings

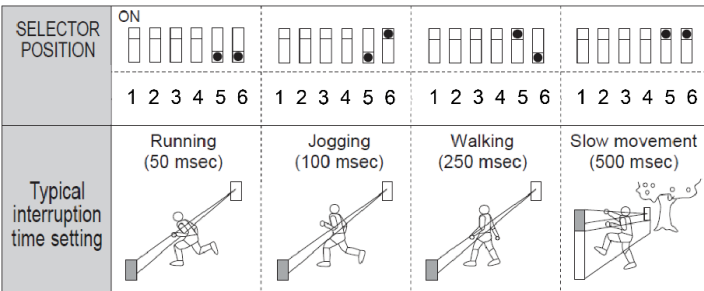
Warning: We do not recommend changing the default settings. Changing the default settings can cause the device to function incorrectly and increases the chance of failure or false alarms.

DIP Switch and Output settings



Adjusting the beam interruption time

You can adjust the beam interruption time settings according for the detectors intended target using one of the four selector positions below. The default setting is 50 ms.



D.Q. output (environmental disqualification)

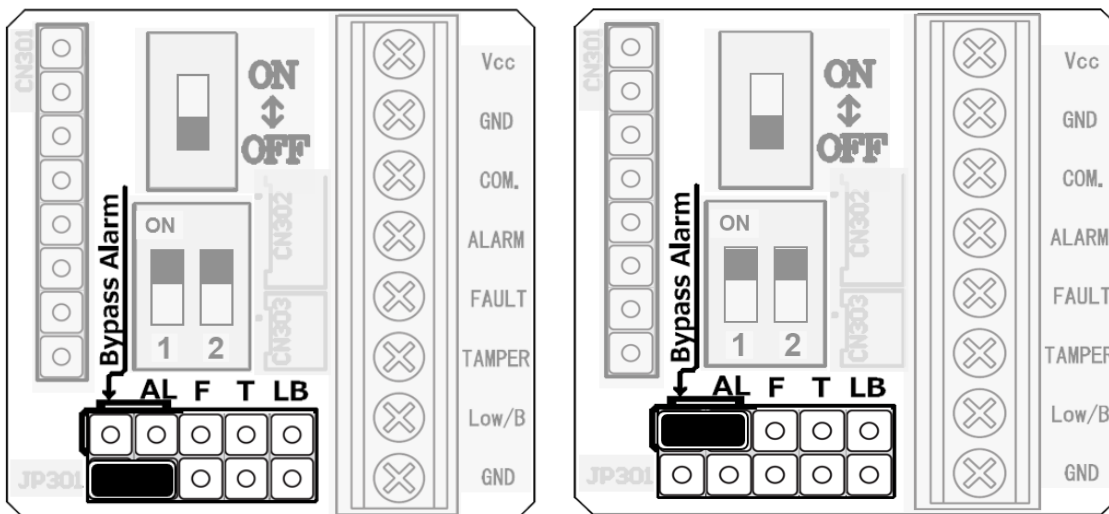
The D.Q. output feature detects when the beam strength is below acceptable levels due to environmental factors such as heavy rain, snow, or fog. If the beam strength is low for more than 20 seconds due to these conditions, a D.Q. output signal is generated. The signal will return to normal when the beam strength is at acceptable levels for more than 2 seconds.

Note: D.Q. output is not evaluated by UL

The D.Q. output signal can be configured for one of the following uses:

- **Separate Output:** Alerts the user that the detector is not working effectively due to weather conditions.
- **Bypass Alarm:** Bypasses the alarm when the D.Q. output is triggered by adverse weather conditions.

You can configure either option with the following jumper pin settings on interface board of the Receiver:



D.Q. and Alarm Separate Output

Bypass Alarm Setting

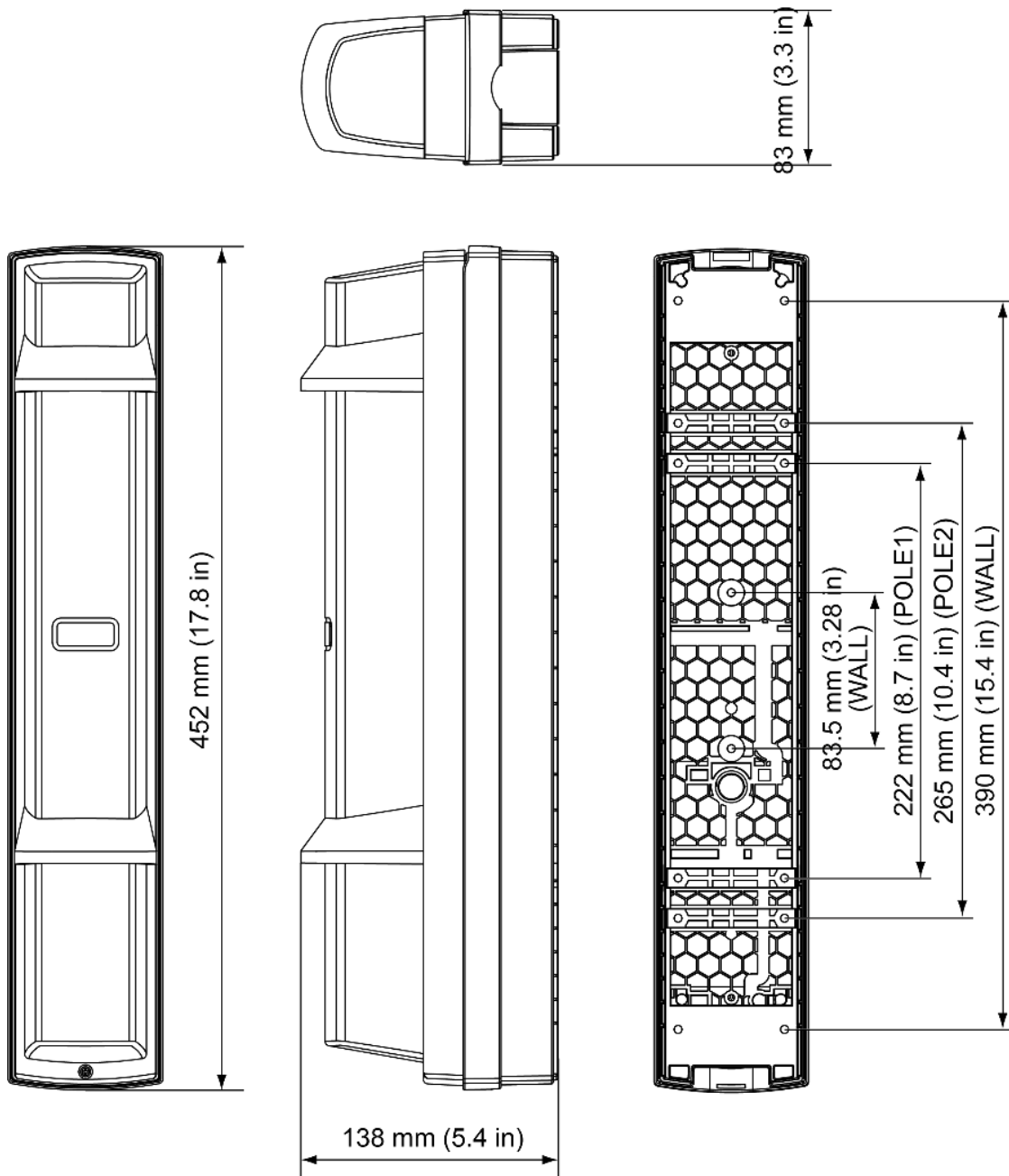
Troubleshooting

Problem	Possible cause	Corrective action
LEDs are not illuminated (transmitter or receiver)	Reversed battery polarity	Check battery polarity
Low battery indicator blinks even though the battery has been inserted (transmitter or receiver)	Low battery power	Replace batteries
Alarm does not output	Reflection from the floor or wall.	Align beams away from the floor or wall.
	Beam has not been blocked.	Block all four beams.
Alarm outputs consistently	Channels of transmitter and receiver are different.	Set the same channel to both transmitter and receiver
	Multiple photoelectric detector for long distance or beam stacking applications.	Set channels 1-3 or 2-4 or 1-4.
	Optical alignment was not performed properly.	See <i>Optical alignment</i> .
Batteries are going flat too quickly	Tamper is not closed	Attach the cover of the tamper lock plate properly
Frost, snow or heavy rain causes false alarm.	Optical alignment not optimized.	See <i>Optical alignment</i>
	DQ output not enabled	See <i>Optional: D.Q. output</i>
Wall tamper does not activate.	Screws between the chassis and the back-box are loose.	Tighten screws
	The waterproof packing on back-box is not attached.	Remove chassis from the back-box and attach the waterproof packing to the chassis correctly.

Replacing the batteries

When replacing batteries, remove all batteries before inserting new ones. This ensures that the low battery indicator LED resets.

Dimensions



Specifications

GENERAL

Maximum detection range: 100 m/350 ft.

Detection method: Quad infrared beam interruption detection

Selectable beam frequency: 4 channels

Interruption time: Variable between 50, 100, 250, and 500 ms

Power source: Recommend: 3.6 V, 13.0 Ah LSH20 lithium batteries manufactured by SAFT.

Current draw: 745 μ A Transmitter: 420 μ A + Receiver: 325 μ A (at 25°C, 3.6 VDC)*

Battery life: Transmitter: Approximately 4 years. Receiver: Approximately 5 years**

Operating temperature: -20°C - +60°C (-4°F - 140°F)

Operating humidity: 95 % (max.)

Alignment angle: \pm 90° Horizontal, \pm 10° Vertical

Dimension: H x W x D mm (inch): 452 (17.9) x 83 (3.3) x 138 (5.4)

Weight: 3300 g, includes total weight of Transmitter + Receiver, excluding accessories

International protection: IP65

Supervisory transmission frequency: 912-919 MHz, 128/256 second intervals

INDICATOR

Alarm indicator (Receiver): Alarm: ON Light receiving: OFF

Level indicator (Receiver): No beam received: ON. Beam receiving: Blinking or OFF

Power indicator (Transmitter): Power ON: ON Power OFF: OFF

Low battery indicator: Voltage reduction: Blinking

Specifications and design are subject to change without prior notice.

* The value is based on the condition that it is used within the ambient temperature range of 20 to 25°C. (LSH-20 x2 pcs)

** The battery life specification applies only when using recommended batteries. See *Ordering Detector batteries*. Using other battery types may affect battery life expectancy or product performance.

Note: These devices are designed to detect an intruder and activate an alarm control panel; they are part of a complete system, therefore the manufacturer cannot accept responsibility for any damages or other consequences resulting from an intrusion.

Compliance with standards

USA: FCC- CFR 47 Part 15
UL Resi/Com Burg: UL639

Canada: IC RSS – 247
ULC Resi/Com Burg ULC-S306



This device complies with Part 15 of the FCC Rules and with Industry Canada license-exempt RSS standard(s). Operation is subject to the following two conditions: (1) This device may not cause harmful interference, and (2) this device must accept any interference received, including interference that may cause undesired operation. Le présent appareil est conforme aux CNR d'Industrie Canada applicables aux appareils radio exempts de licence. L'exploitation est autorisée aux deux conditions suivantes : (1) l'appareil ne doit pas produire de brouillage, et (2) l'utilisateur de l'appareil doit accepter tout brouillage radioélectrique subi, même si le brouillage est susceptible d'en compromettre le fonctionnement.

To comply with FCC Section 1.1310 for human exposure to radio frequency electromagnetic fields and IC requirements, implement the following instruction: A distance of at least 20cm. between the equipment and all persons should be maintained during the operation of the equipment. Le dispositif doit être placé à une distance d'au moins 20 cm à partir de toutes les personnes au cours de son fonctionnement normal. Les antennes utilisées pour ce produit ne doivent pas être situées ou exploitées conjointement avec une autre antenne ou transmetteur.

NOTE: This equipment has been tested and found to comply with the limits for a Class B digital device, pursuant to part 15 of the FCC Rules. These limits are designed to provide reasonable protection against harmful interference in a residential installation. This equipment generates, uses and can radiate radio frequency energy and, if not installed and used in accordance with the instructions, may cause harmful interference to radio communications. However, there is no guarantee that interference will not occur in a particular installation. If this equipment does cause harmful interference to radio or television reception, which can be determined by turning the equipment off and on, the user is encouraged to try to correct the interference by one or more of the following measures: Reorient or relocate the receiving antenna. Increase the separation between the equipment and receiver. Connect the equipment into an outlet on a circuit different from that to which the receiver is connected. Consult the dealer or an experienced radio/TV technician for help.

- This Class B digital apparatus complies with Canadian ICES-003.
- Cet appareil numérique de la classe B est conforme à la norme NMB-003 du Canada.

WARNING! Changes or modifications to this unit not expressly approved by the party responsible for compliance could void the user's authority to operate the equipment.

UL/ULC Notes

Only model PG9350SL operating in the frequency band 912-919MHz is UL/ULC listed. The PG9350SL has been listed by UL for commercial and residential burglary applications and by ULC for residential burglary applications in accordance with the requirements in the Standards UL 639 and ULC-S306 for Intrusion Detection Units.

For UL/ULC installations use these devices only in conjunction with compatible DSC wireless receivers: HSM2HOST9, HS2LCDRF(P)9, HS2ICNRF(P) 9, PG9920, PowerSeries NEO (v1.37 and higher), PowerSeries Pro (v1.31 and higher), IQPanel2 (v2.6 and higher), IQHub (v3.0 and higher), IQPanel4 (v4.0 and higher).

FCC COMPLIANCE STATEMENT

WARNING! Changes or modifications to this unit not expressly approved by the party responsible for compliance could void the user's authority to operate the equipment.

This device has been tested and found to comply with the limits for a Class B digital device, pursuant to Part 15 of the FCC Rules. These limits are designed to provide reasonable protection against harmful interference in residential installations. This equipment generates uses and can radiate radio frequency energy and, if not installed and used in accordance with the instructions, may cause harmful interference to radio and television reception. However, there is no guarantee that interference will not occur in a particular installation. If this device does cause such interference, which can be verified by turning the device off and on, the user is encouraged to eliminate the interference by one or more of the following measures:

- Re-orient or re-locate the receiving antenna.
- Increase the distance between the device and the receiver.
- Connect the device to an outlet on a circuit different from the one that supplies power to the receiver.
- Consult the dealer or an experienced radio/TV technician.

FCC ID: F5321PG9350SL

Innovation Science and Economic Development Canada (ISED) Statement

This equipment complies with FCC and ISED Canada RF radiation exposure limits set forth for an uncontrolled environment.

This device complies with FCC Rules Part 15 and with ISED Canada license exempt RSS standard(s). Operation is subject to the following two conditions:

(1) This device may not cause harmful interference, and (2) this device must accept any interference that may be received or that may cause undesired operation.

Le présent appareil est conforme aux CNR d'ISED Canada applicables aux appareils radio exempts de licence. L'exploitation est autorisée aux deux conditions suivantes : (1) l'appareil ne doit pas produire de brouillage, et (2) l'utilisateur de l'appareil doit accepter tout brouillage radioélectrique subi, même si le brouillage est susceptible d'en compromettre le fonctionnement.

To comply with FCC Section 1.1310 for human exposure to radio frequency electromagnetic fields and IC requirements, implement the following instruction: A distance of at least 20cm. between the equipment and all persons should be maintained during the operation of the equipment.

Le dispositif doit être placé à une distance d'au moins 20 cm à partir de toutes les personnes au cours de son fonctionnement normal. Les antennes utilisées pour ce produit ne doivent pas être situés ou exploités conjointement avec une autre antenne ou transmetteur.

IC: 160A-PG9350SL

The term IC before the radio certification number signifies that the Industry Canada technical specifications were met. This Class B digital apparatus complies with Canadian ICES-003. This device complies with RSS-247 of Industry Canada. Operation is subject to the following two conditions: (1) this device may not cause interference, and (2) this device must accept any interference, including interference that may cause undesired operation of the device. Cet appareil numérique de la classe B est conforme à la norme NMB-003 du Canada. Ce dispositif satisfait aux exigences d'Industrie Canada, prescrites dans le document CNR-247. son utilisation est autorisée seulement aux conditions suivantes: (1) il ne doit pas produire de brouillage et (2) l'utilisateur du dispositif doit être prêt à accepter tout brouillage radioélectrique reçu, même si ce brouillage est susceptible de compromettre le fonctionnement du dispositif.

Limited Warranty

Digital Security Controls warrants that for a period of 12 months from the date of purchase, the product shall be free of defects in materials and workmanship under normal use and that in fulfillment of any breach of such warranty, Digital Security Controls shall, at its option, repair or replace the defective equipment upon return of the equipment to its repair depot. This warranty applies only to defects in parts and workmanship and not to damage incurred in shipping or handling, or damage due to causes beyond the control of Digital Security Controls such as lightning, excessive voltage, mechanical shock, water damage, or damage arising out of abuse, alteration or improper application of the equipment.

The foregoing warranty shall apply only to the original buyer, and is and shall be in lieu of any and all other warranties, whether expressed or implied and of all other obligations or liabilities on the part of Digital Security Controls. Digital Security Controls neither assumes responsibility for, nor authorizes any other person purporting to act on its behalf to modify or to change this warranty, nor to assume for it any other warranty or liability concerning this product.

In no event shall Digital Security Controls be liable for any direct, indirect or consequential damages, loss of anticipated profits, loss of time or any other losses incurred by the buyer in connection with the purchase, installation or operation or failure of this product.

Warning: *Digital Security Controls recommends that the entire system be completely tested on a regular basis. However, despite frequent testing, and due to, but not limited to, criminal tampering or electrical disruption, it is possible for this product to fail to perform as expected.*

Important Information: *Changes or modifications not expressly approved by Digital Security Controls could void the user's authority to operate this equipment.*

IMPORTANT - READ CAREFULLY: DSC Software purchased with or without Products and Components is copyrighted and is purchased under the following license terms:

- This End-User License Agreement ("EULA") is a legal agreement between You (the company, individual or entity who acquired the Software and any related Hardware) and Digital Security Controls, a division of Tyco Safety Products Canada Ltd. ("DSC"), the manufacturer of the integrated security systems and the developer of the software and any related products or components ("HARDWARE") which You acquired.

- If the DSC software product (“SOFTWARE PRODUCT” or “SOFTWARE”) is intended to be accompanied by HARDWARE, and is NOT accompanied by new HARDWARE, You may not use, copy or install the SOFTWARE PRODUCT. The SOFTWARE PRODUCT includes computer software, and may include associated media, printed materials, and “online” or electronic documentation.

- Any software provided along with the SOFTWARE PRODUCT that is associated with a separate end-user license agreement is licensed to You under the terms of that license agreement. • By installing, copying, downloading, storing, accessing or otherwise using the SOFTWARE PRODUCT, You agree unconditionally to be bound by the terms of this EULA, even if this EULA is deemed to be a modification of any previous arrangement or contract. If You do not agree to the terms of this EULA, DSC is unwilling to license the SOFTWARE PRODUCT to You, and You have no right to use it.

LICENSE

The SOFTWARE PRODUCT is protected by copyright laws and international copyright treaties, as well as other intellectual property laws and treaties. The SOFTWARE PRODUCT is licensed, not sold.

1. GRANT OF LICENSE This EULA grants You the following rights:

(a) Software Installation and Use - For each license You acquire, You may have only one copy of the SOFTWARE PRODUCT installed.

(b) Storage/Network Use - The SOFTWARE PRODUCT may not be installed, accessed, displayed, run, shared or used concurrently on or from different computers, including a workstation, terminal or other digital electronic device (“Device”). In other words, if You have several workstations, You will have to acquire a license for each workstation where the SOFTWARE will be used.

(c) Backup Copy - You may make back-up copies of the SOFTWARE PRODUCT, but You may only have one copy per license installed at any given time. You may use the back-up copy solely for archival purposes. Except as expressly provided in this EULA, You may not otherwise make copies of the SOFTWARE PRODUCT, including the printed materials accompanying the SOFTWARE.

2. DESCRIPTION OF OTHER RIGHTS AND LIMITATIONS

(a) Limitations on Reverse Engineering, Decompilation and Disassembly - You may not reverse engineer, decompile, or disassemble the SOFTWARE PRODUCT, except and only to the extent that such activity is expressly permitted by applicable law notwithstanding this limitation. You may not make any changes or modifications to the Software, without the written permission of an officer of DSC. You may not remove any proprietary notices, marks or labels from the Software Product. You shall institute reasonable measures to ensure compliance with the terms and conditions of this EULA.

(b) Separation of Components - The SOFTWARE PRODUCT is licensed as a single product. Its component parts may not be separated for use on more than one HARDWARE unit.

(c) Single INTEGRATED PRODUCT - If You acquired this SOFTWARE with HARDWARE, then the SOFTWARE PRODUCT is licensed with the HARDWARE as a single integrated product. In this case, the SOFTWARE PRODUCT may only be used with the HARDWARE as set forth in this EULA.

(d) Rental - You may not rent, lease or lend the SOFTWARE PRODUCT. You may not make it available to others or post it on a server or web site.

(e) Software Product Transfer - You may transfer all of Your rights under this EULA only as part of a permanent sale or transfer of the HARDWARE, provided You retain no copies, You transfer all of the SOFTWARE PRODUCT (including all component parts, the media and printed materials, any upgrades and this EULA), and provided the recipient agrees to the terms of this EULA. If the SOFTWARE PRODUCT is an upgrade, any transfer must also include all prior versions of the SOFTWARE PRODUCT.

(f) Termination - Without prejudice to any other rights, DSC may terminate this EULA if You fail to comply with the terms and conditions of this EULA. In such event, You must destroy all copies of the SOFTWARE PRODUCT and all of its component parts.

(g) Trademarks - This EULA does not grant You any rights in connection with any trademarks or service marks of DSC or its suppliers.

3. COPYRIGHT

All title and intellectual property rights in and to the SOFTWARE PRODUCT (including but not limited to any images, photographs, and text incorporated into the SOFTWARE PRODUCT), the accompanying printed materials, and any copies of the SOFTWARE PRODUCT, are owned by DSC or its suppliers. You may not copy the printed materials accompanying the SOFTWARE PRODUCT. All title and intellectual property rights in and to the content which may be accessed through use of the SOFTWARE PRODUCT are the property of the respective content owner and may be protected by applicable copyright or other intellectual property laws and treaties. This EULA grants You no rights to use such content. All rights not expressly granted under this EULA are reserved by DSC and its suppliers.

4. EXPORT RESTRICTIONS

You agree that You will not export or re-export the SOFTWARE PRODUCT to any country, person, or entity subject to Canadian export restrictions.

5. CHOICE OF LAW

This Software License Agreement is governed by the laws of the Province of Ontario, Canada.

6. ARBITRATION

All disputes arising in connection with this Agreement shall be determined by final and binding arbitration in accordance with the Arbitration Act, and the parties agree to be bound by the arbitrator's decision. The place of arbitration shall be Toronto, Canada, and the language of the arbitration shall be English.

7. LIMITED WARRANTY

(a) NO WARRANTY - DSC PROVIDES THE SOFTWARE "AS IS" WITHOUT WARRANTY. DSC DOES NOT WARRANT THAT THE SOFTWARE WILL MEET YOUR REQUIREMENTS OR THAT OPERATION OF THE SOFTWARE WILL BE UNINTERRUPTED OR ERROR-FREE.

(b) CHANGES IN OPERATING ENVIRONMENT - DSC shall not be responsible for problems caused by changes in the operating characteristics of the HARDWARE, or for problems in the interaction of the SOFTWARE PRODUCT with non-DSC-SOFTWARE or HARDWARE PRODUCTS.

(c) LIMITATION OF LIABILITY; WARRANTY REFLECTS ALLOCATION OF RISK - IN ANY EVENT, IF ANY STATUTE IMPLIES WARRANTIES OR CONDITIONS NOT STATED IN THIS LICENSE AGREEMENT, DSC'S ENTIRE LIABILITY UNDER ANY PROVISION OF THIS LICENSE AGREEMENT SHALL BE LIMITED TO THE GREATER OF THE AMOUNT ACTUALLY PAID BY YOU TO LICENSE THE SOFTWARE PRODUCT AND FIVE CANADIAN DOLLARS (CAD\$5.00). BECAUSE SOME JURISDICTIONS DO NOT ALLOW THE EXCLUSION OR LIMITATION OF LIABILITY FOR CONSEQUENTIAL OR INCIDENTAL DAMAGES, THE ABOVE LIMITATION MAY NOT APPLY TO YOU.

(d) DISCLAIMER OF WARRANTIES - THIS WARRANTY CONTAINS THE ENTIRE WARRANTY AND SHALL BE IN LIEU OF ANY AND ALL OTHER WARRANTIES, WHETHER EXPRESSED OR IMPLIED (INCLUDING ALL IMPLIED WARRANTIES OF MERCHANTABILITY OR FITNESS FOR A PARTICULAR PURPOSE) AND OF ALL OTHER OBLIGATIONS OR LIABILITIES ON THE PART OF DSC. DSC MAKES NO OTHER WARRANTIES. DSC NEITHER ASSUMES NOR AUTHORIZES ANY OTHER PERSON PURPORTING TO ACT ON ITS BEHALF TO MODIFY OR TO CHANGE THIS WARRANTY, NOR TO ASSUME FOR IT ANY OTHER WARRANTY OR LIABILITY CONCERNING THIS SOFTWARE PRODUCT.

(e) EXCLUSIVE REMEDY AND LIMITATION OF WARRANTY - UNDER NO CIRCUMSTANCES SHALL DSC BE LIABLE FOR ANY SPECIAL, INCIDENTAL, CONSEQUENTIAL OR INDIRECT DAMAGES BASED UPON BREACH OF WARRANTY, BREACH OF CONTRACT, NEGLIGENCE, STRICT LIABILITY, OR ANY OTHER LEGAL THEORY. SUCH DAMAGES INCLUDE, BUT ARE NOT LIMITED TO, LOSS OF PROFITS, LOSS OF THE SOFTWARE PRODUCT OR ANY ASSOCIATED EQUIPMENT, COST OF CAPITAL, COST OF SUBSTITUTE OR REPLACEMENT EQUIPMENT, FACILITIES OR SERVICES, DOWN TIME, PURCHASERS TIME, THE CLAIMS OF THIRD PARTIES, INCLUDING CUSTOMERS, AND INJURY TO PROPERTY.

WARNING: DSC recommends that the entire system be completely tested on a regular basis. However, despite frequent testing, and due to, but not limited to, criminal tampering or electrical disruption, it is possible for this SOFTWARE PRODUCT to fail to perform as expected.

Always ensure you obtain the latest version of the User Guide. Updated versions of this User Guide are available by contacting your distributor.

© 2021 Johnson Controls. All rights reserved. JOHNSON CONTROLS, and DSC are trademarks and/or registered trademarks. Unauthorized use is strictly prohibited.

This Class B digital apparatus complies with Canadian ICES-003. This device complies with RSS-247 of Industry Canada. Operation is subject to the following two conditions: (1) this device may not cause interference, and (2) this device must accept any interference, including interference that may cause undesired operation of the device. Cet appareil numérique de la classe B est conforme à la norme NMB-003 du Canada. Ce dispositif satisfait aux exigences d'Industrie Canada, prescrites dans le document CNR-247. son utilisation est autorisée seulement aux conditions suivantes: (1) il ne doit pas produire de brouillage et (2) l'utilisateur du dispositif doit être prêt à accepter tout brouillage radioélectrique reçu, même si ce brouillage est susceptible de compromettre le fonctionnement du dispositif.

PG9350SL

Détecteur à faisceau photoélectrique sans fil

Caractéristiques du détecteur

- Fonction d'économie des piles
- Indice de protection IP65 (non évalué par UL)
- Sélecteur de fréquence de faisceau 4 canaux
- Circuit de disqualification environnementale (DQ) permettant de configurer le comportement dans les conditions météorologiques difficiles
- Fonction d'autoprotection
- Portée de détection de 60 m (350 ft) à l'extérieur

Introduction

Le détecteur PG9350SL est un modèle à faisceau photoélectrique sans fil PowerG destiné à protéger les périmètres extérieurs.

Attention : Le non-respect des instructions fournies avec cet appareil, ou toute mauvaise manipulation, peut entraîner la mort ou des blessures graves.

Consignes de sécurité

Avertissements


- Ne pas utiliser le produit à d'autres fins que la détection d'objets en mouvement tels que des personnes et des véhicules.
- Ne pas utiliser le produit à des fins auxquelles il n'est pas destiné, telles que l'activation d'un volet roulant, ce qui pourrait provoquer un accident.
- Ne pas toucher le produit s'il est mouillé ni son socle ou ses bornes d'alimentation avec des mains mouillées, car cela pourrait provoquer un choc électrique.
- Ne pas verser d'eau sur le produit, car cela pourrait l'endommager.
- Ne jamais tenter de démonter ou de réparer le produit, car cela pourrait provoquer un incendie ou endommager les appareils.
- Ne pas utiliser des piles ayant des niveaux de puissance restante différents, c.-à-d. une neuve et une usagée. Le non-respect de ces consignes peut entraîner une explosion, une fuite d'électrolyte, des émissions de gaz toxiques ou d'autres conséquences potentiellement dangereuses pour les personnes et les biens matériels.
- Lors de leur manipulation, les piles ne doivent pas être rechargées, court-circuitées, broyées, démontées, chauffées au-delà de 100 °C (212 °F), incinérées ou voir leur contenu exposé à l'eau. Ne pas souder directement à l'élément de la pile. Le non-respect de ces consignes peut entraîner des risques d'incendie, d'explosion ou de brûlures graves.
- Pour un usage en toute sécurité, nettoyer et vérifier le produit à intervalle régulier. En cas de problème, cesser d'utiliser le produit et l'envoyer en réparation chez un technicien ou un électricien professionnel.

Contenu du carton

- Modules émetteur et récepteur
- Documentation du produit
- Sachet de quincaillerie

Accessoires


Figure 1. Accessoires




Vis autotaraudeuses 4x20 pour le montage mural (avec rondelle en caoutchouc) : 12



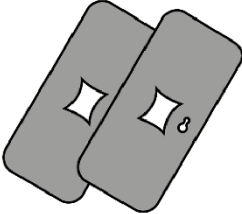
Supports pour montant (avec ruban adhésif double face) : 4



Vis M4x30 de fixation sur montant (avec rondelle en caoutchouc) : 8



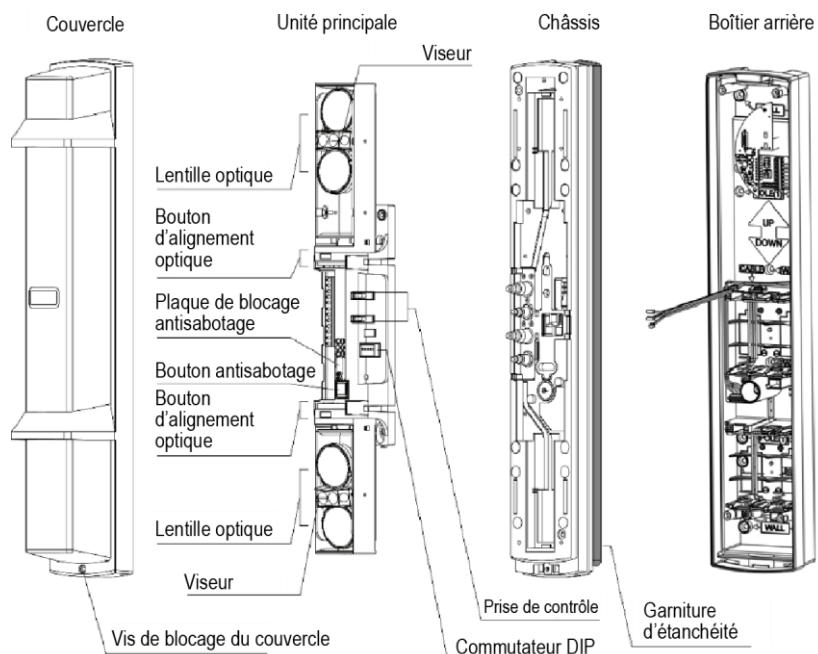
Supports en U : 4



Plaque de blocage de faisceau : 2
(fixée au dos du couvercle)

Identification des pièces

Figure 2. Identification des pièces



Commande de piles pour le détecteur

L'appareil fonctionne au moyen de quatre (4) piles LSH20 fabriquées par SAFT, deux pour l'émetteur et deux pour le récepteur.

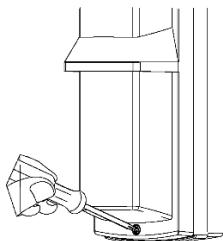
Pour des informations sur les piles, consultez le site Web suivant et contactez le représentant commercial SAFT de votre région. Voir <https://www.saftbatteries.com/products-solutions/products/ls-lsh-lsp>.

Démontage de l'appareil

Démontez l'appareil avant de l'enregistrer et de l'installer.

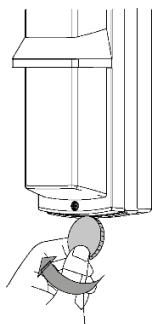
1. Desserrez la vis de blocage du couvercle à l'aide d'un tournevis.

Figure 3. Desserrage de la vis de blocage du couvercle



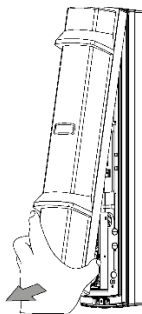
2. Introduisez une pièce dans l'interstice et tournez légèrement pour débloquer le couvercle.

Figure 4. Déblocage du couvercle



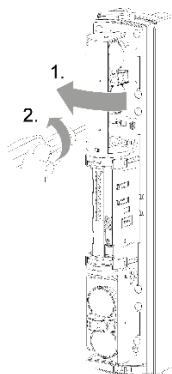
3. Retirez le couvercle depuis l'arrière de l'appareil.

Figure 5. Retrait du couvercle



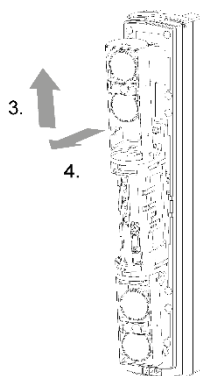
4. Pour enlever l'unité principale du châssis, tournez le composant optique de 90° et retirez les vis des deux côtés.

Figure 6. Retrait des vis de l'unité principale



5. Tirez la partie supérieure de l'unité principale vers l'avant et le haut pour l'enlever.

Figure 7. Retrait de l'unité principale



Avertissement : N'installez pas l'unité principale à un endroit exposé directement aux rayons du soleil, car cela pourrait endommager le produit.

6. Desserrez les 5 vis du cache arrière et retirez le châssis du boîtier arrière.

Remarque : Avant de monter l'appareil, suivez la procédure de démontage de l'émetteur et du récepteur.

Enregistrement

Centrales compatibles

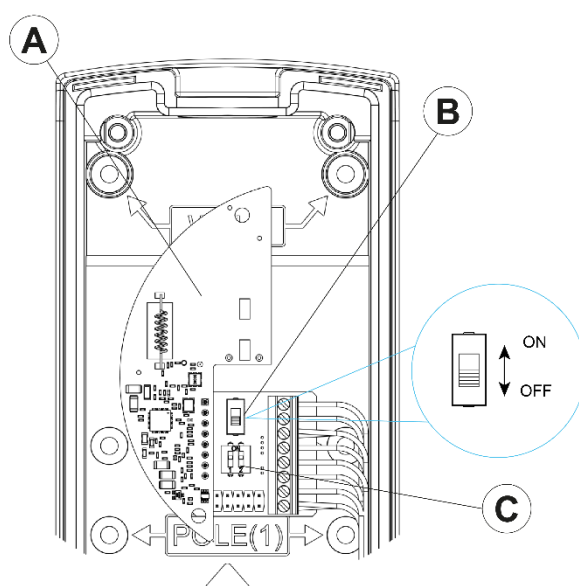
- PowerSeries NEO (v1.37 et ultérieures)
- PowerSeries Pro (v1.31 et ultérieures)
- IQ2+ (v2.6.2 et ultérieures)
- IQ Hub (v3.0.1 et ultérieures)
- IQ4 (v4.0.1 et ultérieures)

Enregistrement de l'appareil

Le processus d'enregistrement de l'appareil débute lorsque le module PowerG est sous tension. Le module PowerG est une carte installée dans le détecteur.

Remarque : Vous devez enregistrer l'émetteur et le récepteur dans la centrale d'alarme. L'ordre d'enregistrement des modules n'a pas d'importance.

Figure 8. Vue interne



A	Carte fille PowerG			
B	Interrupteur d'alimentation PowerG			
C	Commutateurs DIP de configuration	Configuration	Commutateur DIP 1	Commutateur DIP 2
		Récepteur	Marche	Marche
		Émetteur	Arrêt	Marche

1. Vérifiez que la centrale d'alarme est en mode d'enregistrement.
2. Installez les piles dans le détecteur.
3. Mettez en position de marche l'interrupteur d'alimentation du module PowerG situé sur la carte d'interface. Pour des instructions d'enregistrement complètes, consultez le manuel d'installation de la centrale d'alarme.

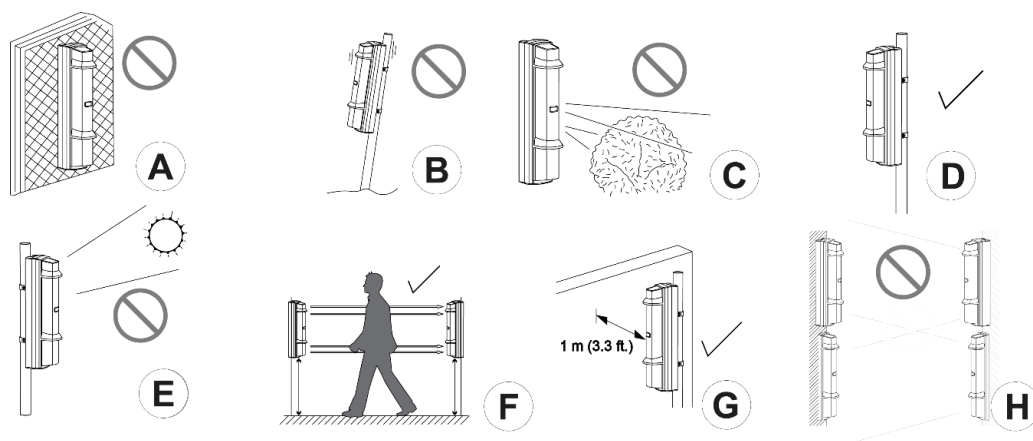
En cas d'échec de la procédure d'enregistrement automatique, reportez-vous aux instructions de la centrale et enregistrez l'appareil manuellement.

4. **Facultatif :** Configurez les paramètres facultatifs de la carte d'interface. Pour plus d'informations, voir la section *Paramètres facultatifs*.
5. **Important !** Mettez l'interrupteur en position d'arrêt et retirez les piles. Remettez les piles en place une fois l'appareil monté.

Remarque : Avant de monter l'appareil, suivez la procédure d'enregistrement pour l'émetteur et le récepteur.

Montage

Figure 9. Consignes de montage



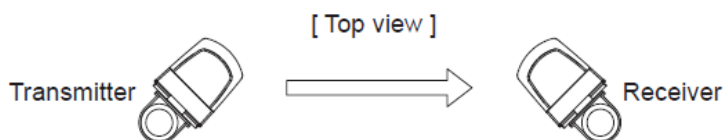
A	Ne montez pas l'appareil sur une surface instable.
B	Ne montez pas l'appareil sur un montant instable.
C	Ne montez pas l'appareil à proximité d'arbres ou d'autres objets pouvant bloquer le faisceau.
D	Si vous fixez l'appareil à un montant, le diamètre du montant doit être compris entre 34 et 48 mm (1,34 po et 1,89 po).
E	L'exposition aux rayons directs du soleil peut nuire aux performances de l'appareil. Évitez de monter le dispositif dans un endroit fortement exposé au soleil.
F	Montez l'appareil à une hauteur comprise entre 0,7 m et 1 m (2,3 ft à 3,3 ft).
G	Installez l'appareil à 1 m (3,3 ft) minimum d'un mur ou d'une clôture parallèle au faisceau.
H	N'installez pas l'appareil à un endroit où le faisceau infrarouge d'un autre modèle peut atteindre le récepteur.

Important : Installez entièrement tous les composants du détecteur pour respecter les exigences de la norme IP65.

Consignes supplémentaires

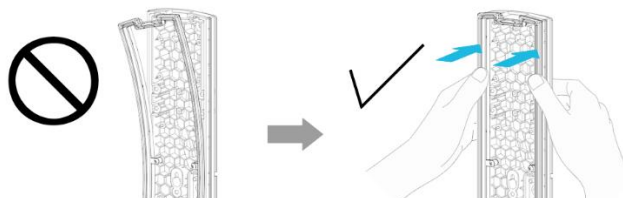
- Lors du montage de l'appareil, évitez que les câbles se prennent entre le châssis et le boîtier arrière.
- Si vous ouvrez accidentellement une entrée défonçable inutile, veillez à bien la refermer. Sinon, l'étanchéité et le fonctionnement du produit risquent d'être compromis. Utilisez à cet effet du mastic en silicone ou en plastique. N'utilisez pas de siloxane, car ce composant risque de corroder la carte de circuit imprimé (PCB). Un mastic ayant une teneur en siloxane inférieure à 0,1 % est acceptable.
- Lors du montage du couvercle, veillez à ne pas toucher ou déplacer le composant optique, car cela pourrait décaler l'axe optique et nécessiter un réajustement.
- Évitez de monter l'émetteur et le récepteur selon un angle de 45°, comme illustré ci-dessous, car cela réduit la portée de détection de 50 %.

Figure 10. Portée de détection réduite



- Avant de monter l'appareil, vérifiez que la garniture d'étanchéité est en place afin de conserver l'indice de protection IP de l'appareil.

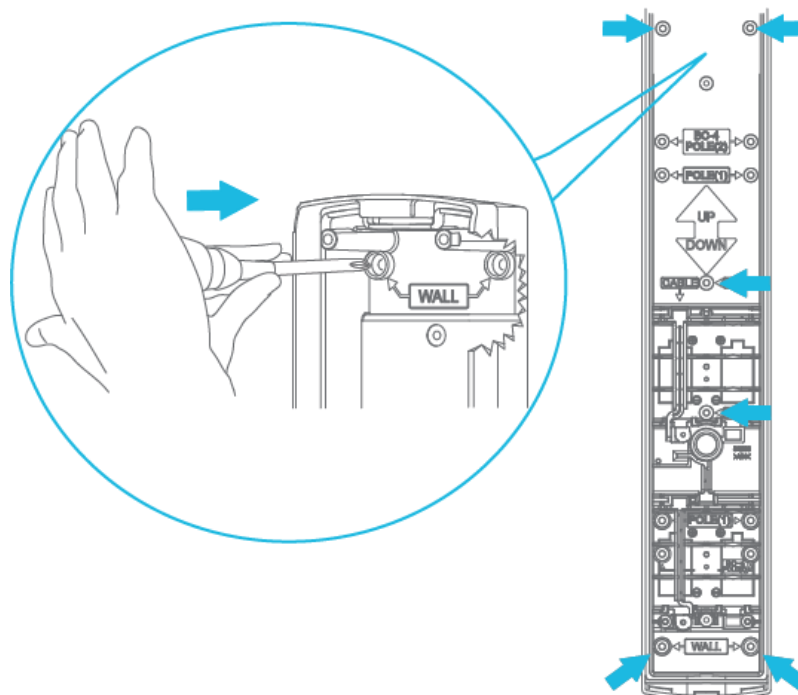
Figure 11. Fixation de la garniture d'étanchéité



Montage mural

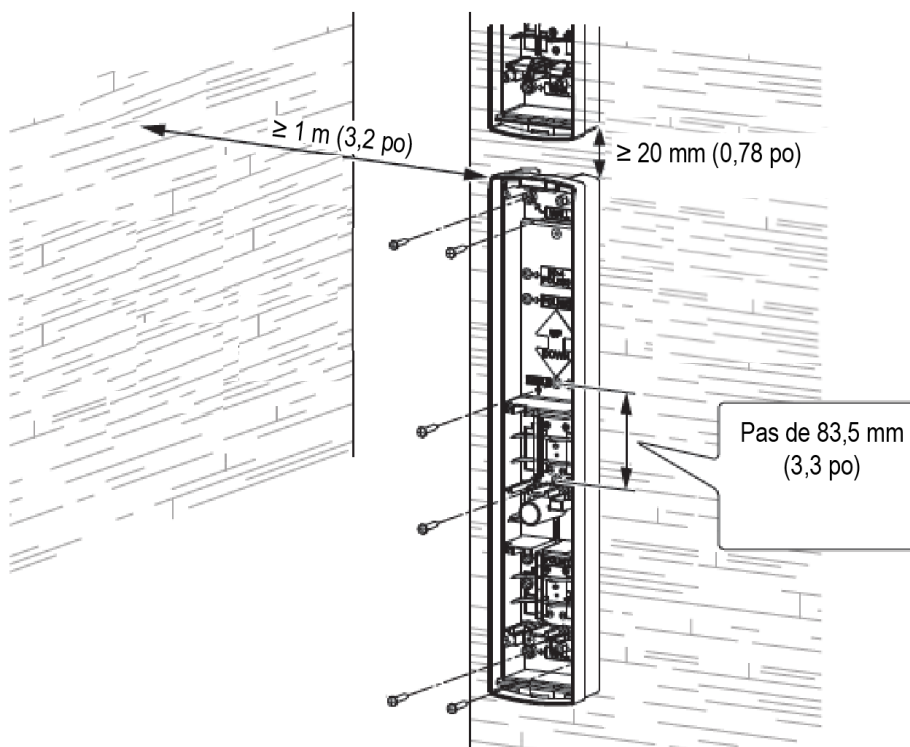
1. À l'aide d'un tournevis ou d'un outil similaire, ouvrez les six entrées défonçables du boîtier arrière. Les emplacements des ouvertures sont repérés par la mention **WALL** (MUR).

Figure 12. Préparation du boîtier arrière pour son montage



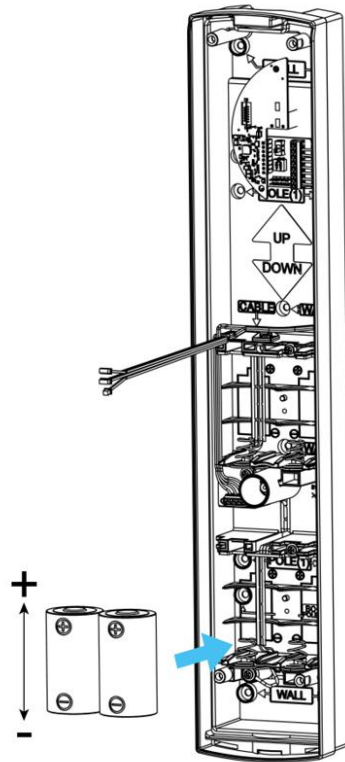
2. Fixez le boîtier arrière au mur à l'aide des vis 4x20. Si vous installez deux détecteurs, espacez-les d'au moins 20 mm (0,78 po) en hauteur. Si vous l'installez dans un angle, assurez-vous que le détecteur se situe au minimum à 1 m (3,2 ft) du mur latéral. En cas de connexion à une boîte de raccordement électrique, utilisez un pas de 83,5 mm (3,3 po).

Figure 13. Montage du boîtier arrière



3. Insérez deux piles dans la cavité inférieure du boîtier arrière et réglez le module RF en position de marche.

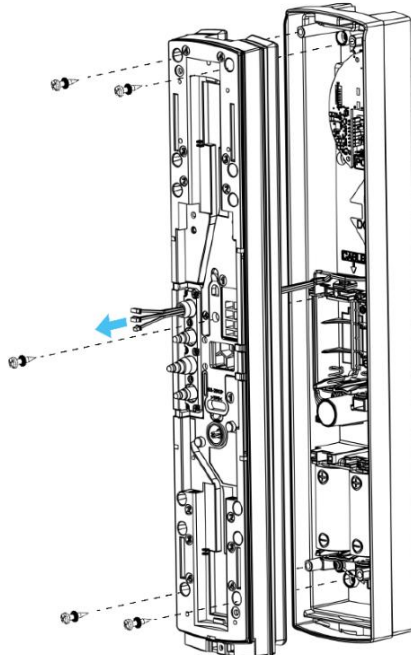
Figure 14. Insertion des piles



4. Tirez le câble en le faisant passer dans le châssis, puis serrez les vis. Respectez l'ordre suivant pour serrer les vis :
- Milieu
 - En haut à gauche
 - En bas à gauche
 - En haut à droite
 - En bas à droite

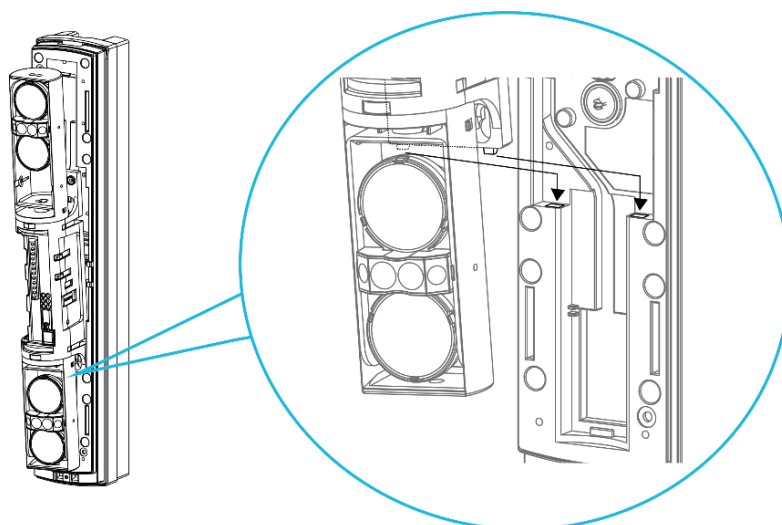
Avertissement : Serrez entièrement les vis selon un couple compris entre 1 et 1,5 N m, sinon le dispositif antisabotage mural risque de dysfonctionner.

Figure 15. Fixation du châssis



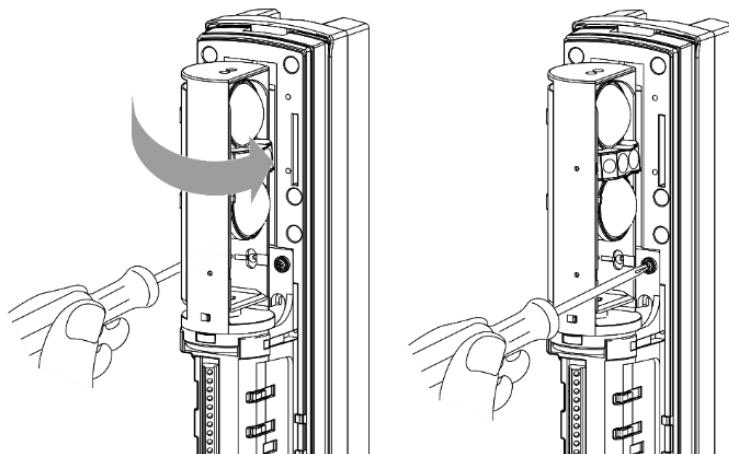
5. Insérez la partie inférieure de l'unité principale et appuyez pour l'enfoncer dans le châssis.

Figure 16. Insertion de l'unité principale



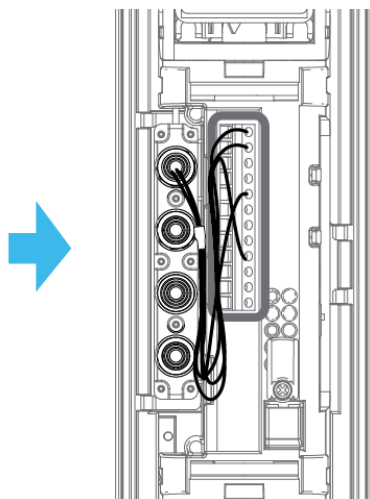
6. Faites pivototer le composant optique de 90 degrés et serrez les vis des deux côtés.

Figure 17. Réglage du composant optique

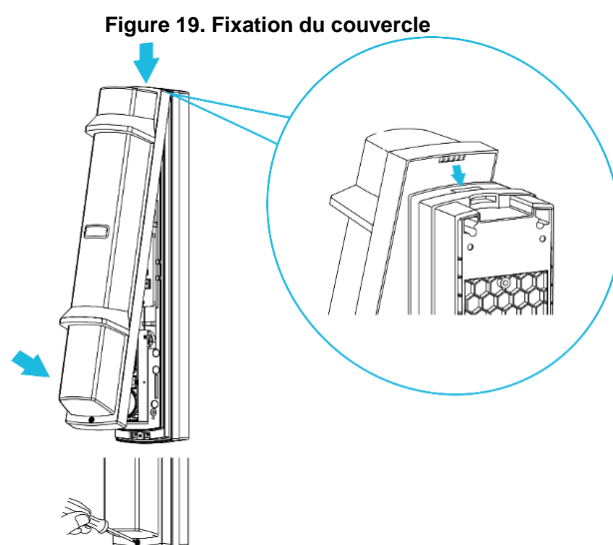


7. Placez les câbles derrière les cônes en caoutchouc bleus pour les empêcher de se coincer sous le couvercle principal.

Figure 18. Fixation des câbles



8. Pour fermer le couvercle, accrochez-le sur la partie supérieure du châssis et enfoncez la partie inférieure jusqu'à ce que le couvercle s'enclenche en position.

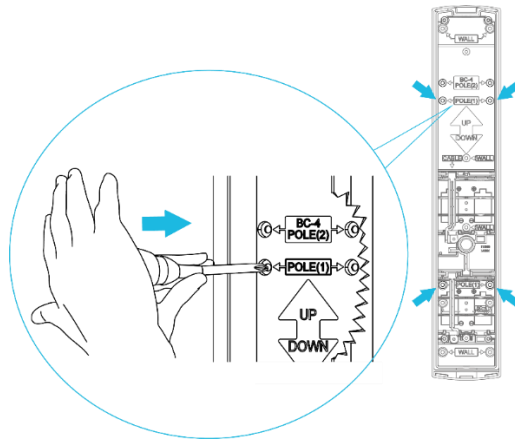


9. Serrez la vis de blocage du couvercle.
10. Appuyez sur le milieu du couvercle pour cacher entièrement l'étiquette orange lorsque l'appareil est en service.

Fixation sur un montant

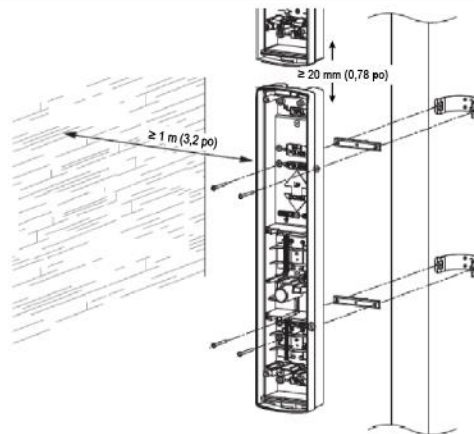
1. À l'aide d'un tournevis ou d'un outil similaire, ouvrez les entrées défonçables du boîtier arrière repérés par la mention **POLE(1)**.

Figure 20. Préparation du boîtier arrière pour son montage



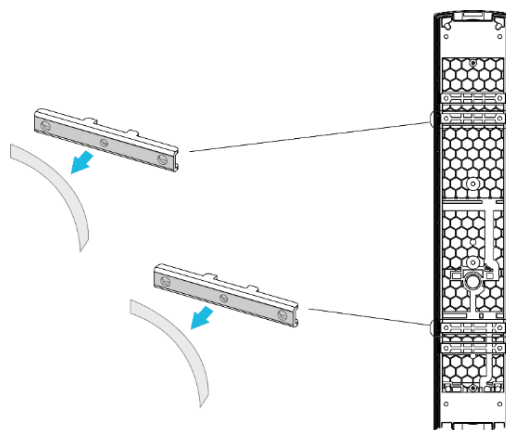
2. Fixez le boîtier arrière sur le montant à l'aide des vis M4x30. Si vous installez deux détecteurs à la verticale, espacez-les d'au moins 20 mm (0,78 po) en hauteur. Si vous l'installez dans un angle, assurez-vous que le détecteur se situe au minimum à 1 m (3,2 ft) du mur latéral.

Figure 21. Montage du boîtier arrière



3. Pour faciliter le montage, fixez du ruban adhésif double face aux supports de montage du montant.

Figure 22. Préparation des supports de montage

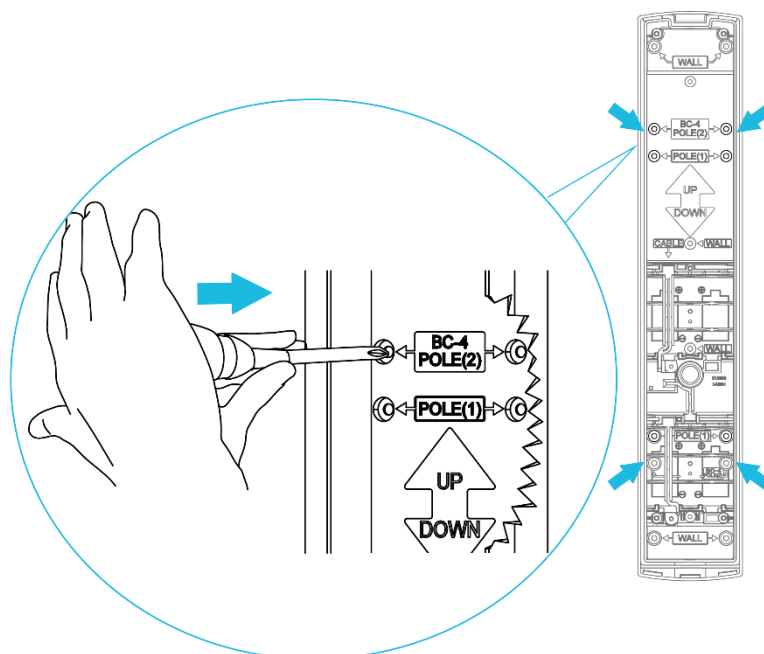


4. Effectuez les étapes 3 à 10 de la section *Fixation du détecteur contre un mur*.

Fixation d'un deuxième détecteur sur un montant dans la direction opposée

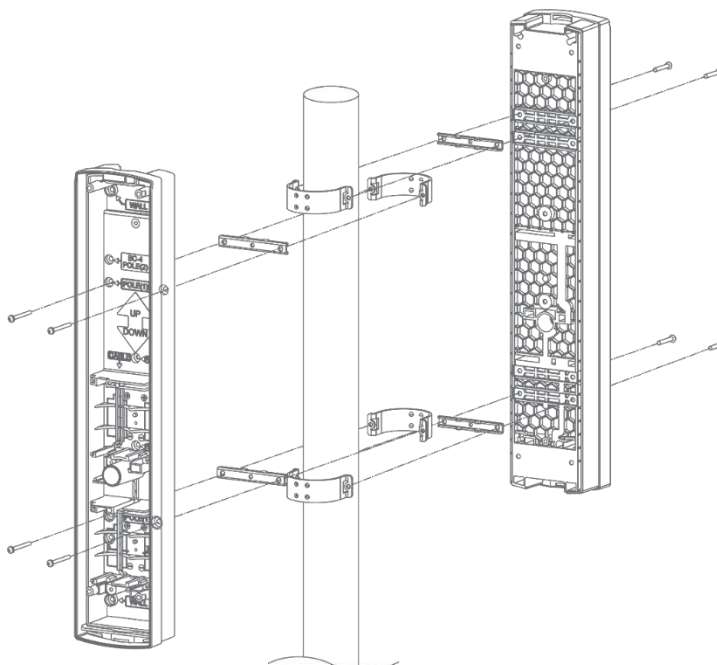
1. Pour le deuxième détecteur, ouvrez les entrées défonçables du boîtier arrière repérés par la mention **POLE(2)** à l'aide d'un tournevis ou d'un outil similaire.

Figure 23. Préparation du boîtier arrière pour son montage



2. Fixez les boîtiers arrière sur le montant à l'aide des vis M4x30. Pour faciliter le montage de l'appareil à l'aide des supports, fixez du ruban adhésif double face aux supports de montage du montant.

Figure 24. Montage des boîtiers arrière



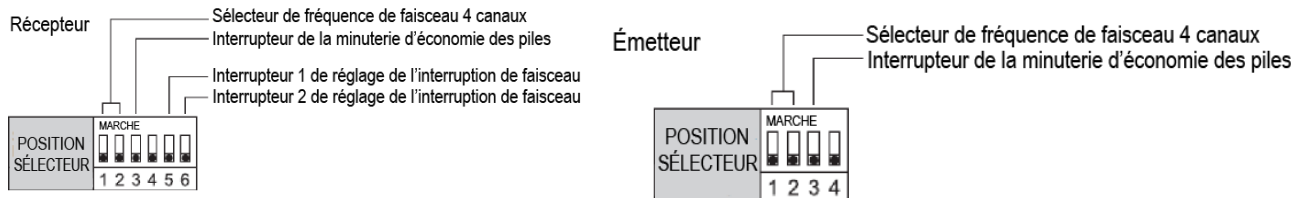
3. Effectuez les étapes 3 à 10 de la section *Fixation du détecteur contre un mur*.

Réglages de l'appareil

Attention : Ne modifiez pas les réglages par défaut à l'exception de la minuterie d'économie des piles. Pour plus d'informations, voir la section *Minuterie d'économie des piles*. En modifiant les réglages par défaut, vous risquez d'entraîner des dysfonctionnements de l'appareil et d'augmenter les défaillances ou les fausses alarmes.

Fonctions des interrupteurs

Figure 25. Fonctions des interrupteurs



Récepteur

- 1 et 2 :** Sélecteurs de fréquence de faisceau 4 canaux
- 3 :** Interrupteur de la minuterie d'économie des piles
- 4 :** Inutilisé. Laissez cet interrupteur en position d'arrêt.
- 5 :** Interrupteur 1 de réglage de l'interruption de faisceau
- 6 :** Interrupteur 2 de réglage de l'interruption de faisceau

Émetteur

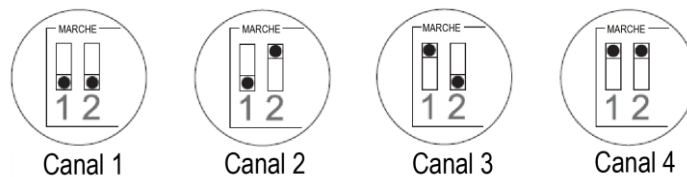
- 1 et 2 :** Sélecteurs de fréquence de faisceau 4 canaux
- 3 :** Interrupteur de la minuterie d'économie des piles
- 4 :** Inutilisé. Laissez cet interrupteur en position d'arrêt.

Réglage du sélecteur de fréquence de faisceau 4 canaux

Le sélecteur de fréquence de faisceau 4 canaux permet d'éviter les phénomènes de diaphonie indésirables pouvant survenir en cas d'utilisation de plusieurs détecteurs photoélectriques dans des applications longue portée ou d'empilement de faisceaux.

1. Pour sélectionner parmi 4 fréquences de faisceau distinctes, utilisez la paire d'interrupteurs prévue.

Figure 26. Réglage du sélecteur de fréquence de faisceau 4 canaux

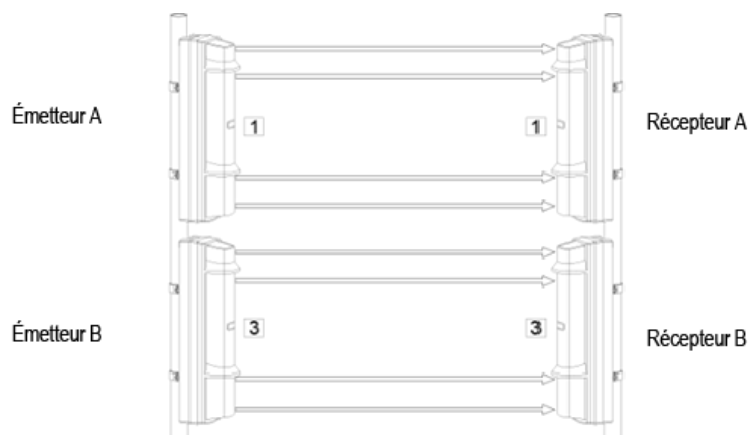


2. Vérifiez que le récepteur et l'émetteur qui se font face sont réglés sur la même fréquence.

Exemples d'installation

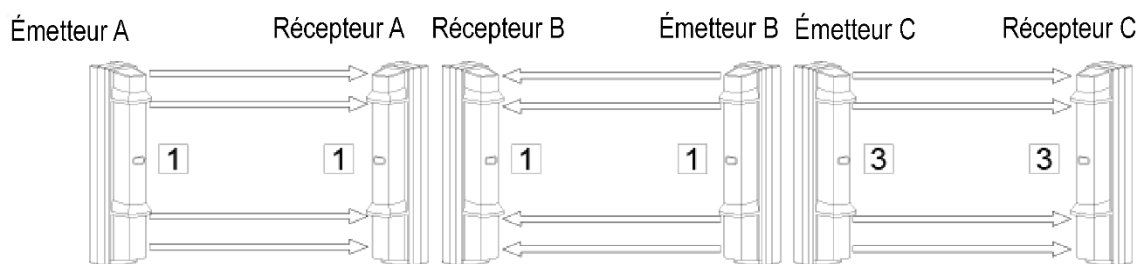
- a. Protection à double niveau d'empilement. Puisque le récepteur B peut recevoir le faisceau infrarouge de l'émetteur A, sélectionnez les fréquences comme indiqué sur la figure ci-dessous. Sur la figure, chaque chiffre encadré correspond à un canal.

Figure 27. Protection à double niveau d'empilement



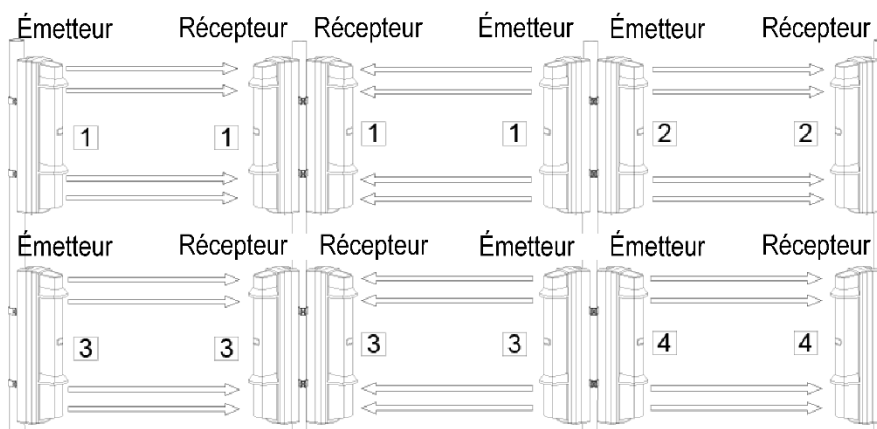
- b. Protection longue portée. Puisque le récepteur C peut recevoir le faisceau infrarouge de l'émetteur A, sélectionnez leurs fréquences comme indiqué sur la figure ci-dessous.

Figure 28. Protection longue portée



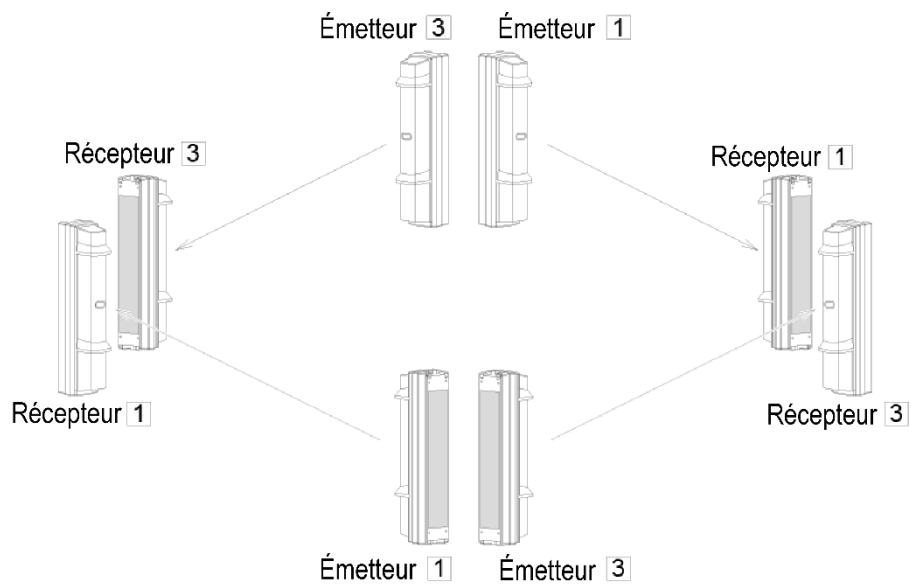
- c. Protection longue portée à double niveau. Il n'est pas possible d'utiliser cet appareil pour une application à plus d'un empilement à double niveau. Alternez toujours les fréquences de deux canaux d'écart lors de l'empilement d'appareils l'un sur l'autre. Par exemple, réglez l'appareil du haut sur le canal 1 et l'appareil du bas sur le canal 3, ou respectivement les canaux 2 et 4.

Figure 29. Protection longue portée à double niveau



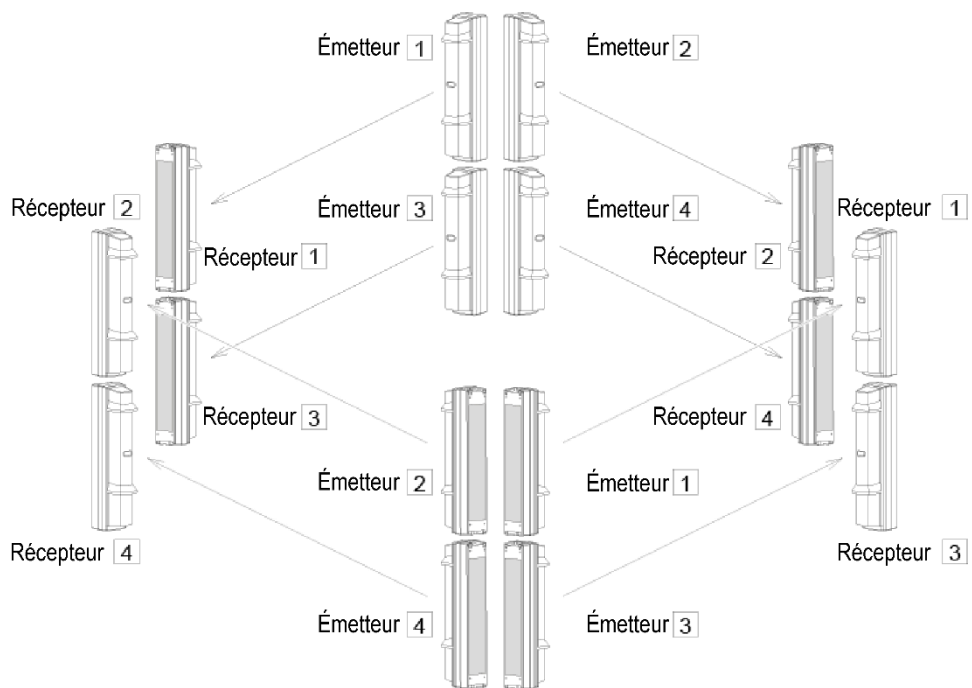
d. Protection du périmètre.

Figure 30. Protection du périmètre



e. Protection du périmètre dans une configuration à deux niveaux d'empilement.

Figure 31. Protection du périmètre dans une configuration à deux niveaux d'empilement



Attention :

- N'essayez pas d'installer ce produit avec un autre détecteur photoélectrique. Cela pourrait entraîner la défaillance du détecteur ou déclencher de fausses alarmes.

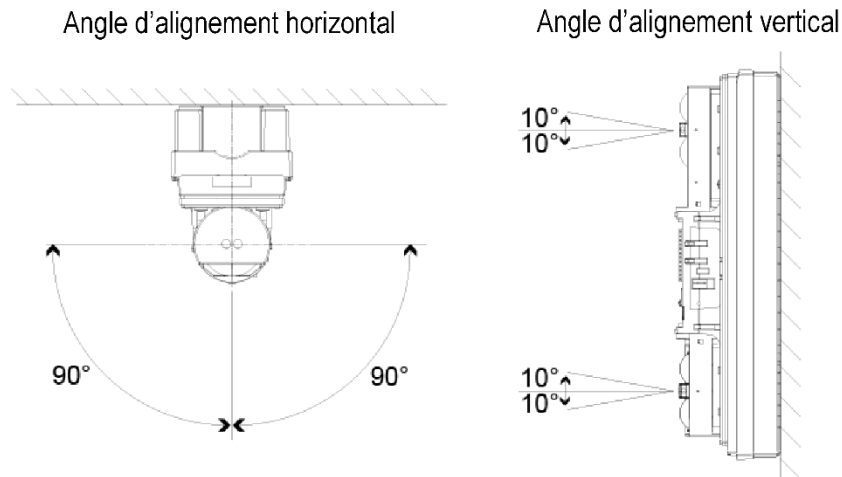
Alignement optique

Le montage terminé, procédez à un alignement optique afin de garantir le bon fonctionnement de l'appareil.

Avertissement : Veillez à ne pas toucher la lentille pendant le réglage optique.

Angles d'alignement

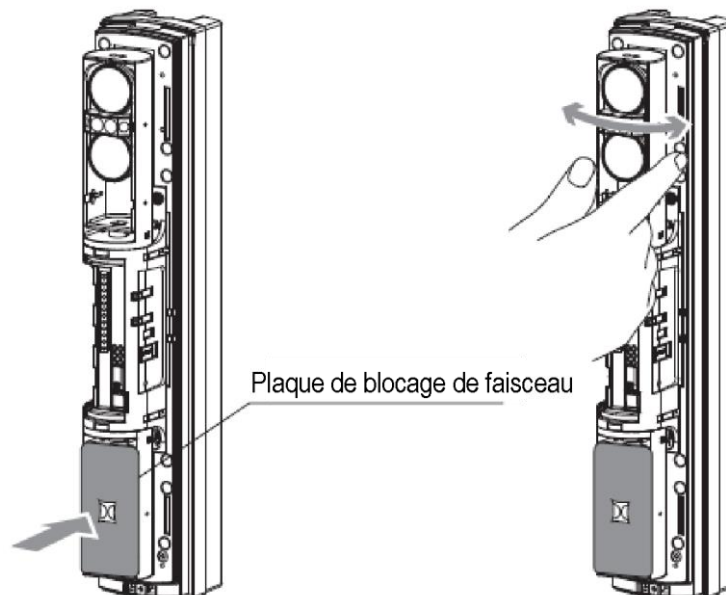
Figure 32. Angles d'alignement



Alignement de l'appareil

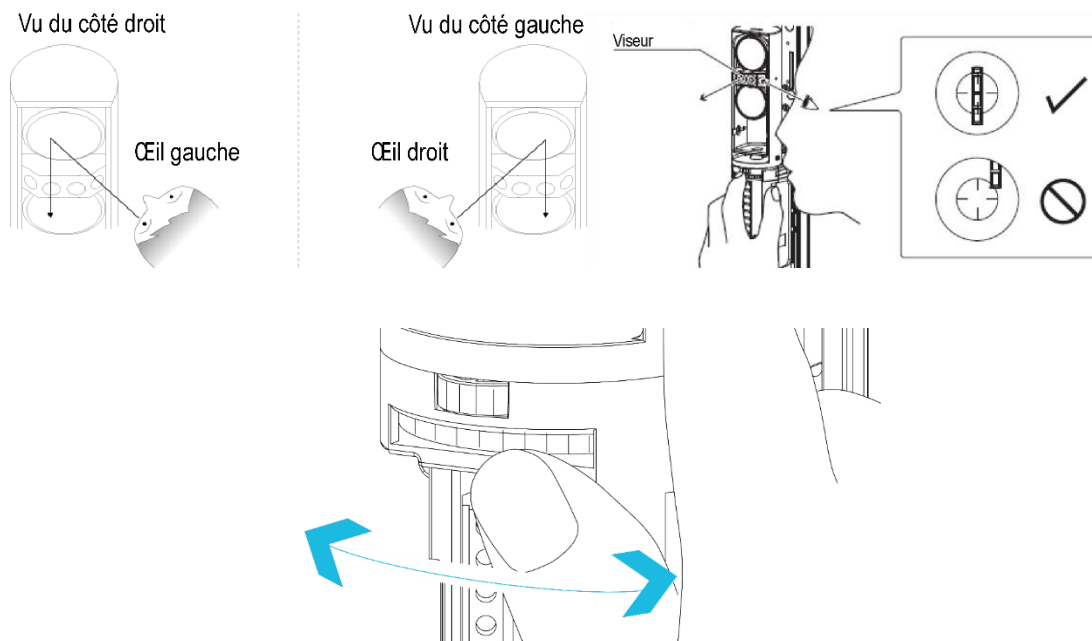
1. Effectuez un alignement approximatif de l'angle horizontal.
 - a. Fixez une plaque de blocage de faisceau sur l'appareil du bas, puis commencez l'alignement optique à partir de l'appareil du haut. La plaque de blocage de faisceau est fixée à l'arrière du couvercle.
 - b. Remettez en place la plaque sur le couvercle après utilisation.

Figure 33. Alignement approximatif



2. En regardant à travers le viseur, réglez les angles horizontal et vertical de manière précise à l'aide des boutons d'alignement prévus à cet effet. Tournez le petit bouton pour régler l'alignement horizontal. Tournez le grand bouton pour régler l'alignement vertical.

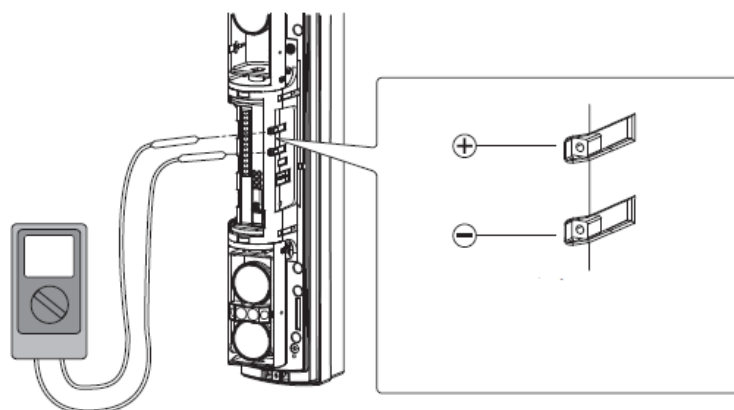
Figure 34. Alignement précis



Attention : Ne regardez pas dans le viseur en cas d'exposition à de fortes sources lumineuses telles que les rayons du soleil.

3. Une fois l'alignement à l'aide du viseur terminé, affinez le réglage au moyen du voltmètre pour obtenir un alignement optique plus précis.
 - a. Réglez la plage du voltmètre entre 5 et 10 Vcc.
 - b. Introduisez la broche positive du voltmètre dans la borne positive de la prise de contrôle et la broche négative dans la borne négative.
 - c. Visez un niveau de sortie de contrôle « Excellent », ou 2,8 V au minimum.

Figure 35. Réglage de l'alignement à l'aide du voltmètre



3. Réglez les angles horizontal et vertical tout en vérifiant le voyant LED de niveau sur le récepteur d'appariement.

Voyant LED de niveau	Faisceau interrompu	Faisceau reçu			
	Allumé (rouge)	Clignotement rapide	Clignotement lent	Éteint	
Niveau de réglage	Régler à nouveau l'angle		Moyen	Bon	Excellent
Sortie prise de contrôle	0 V		> 1 V	> 2,4 V	> 2,8 V

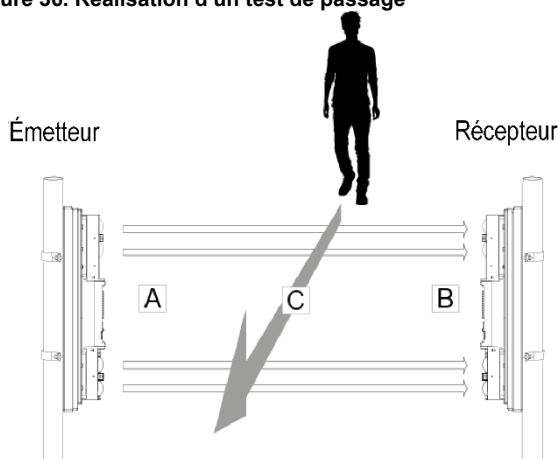
Remarque : Les voyants LED d'alarme et de niveau sont des outils d'assistance à l'alignement. Effectuez toujours un alignement précis à l'aide de la prise de contrôle afin de garantir le niveau de sortie maximal.

Test de l'appareil

Une fois l'installation terminée, testez le bon fonctionnement de l'appareil en suivant les étapes ci-dessous :

1. Vérifiez que le voyant LED d'alarme est éteint. S'il est allumé alors que les faisceaux ne sont pas bloqués, suivez à nouveau les étapes de la section *Alignement optique*.
2. Vérifiez que les voyants LED de pile faible de l'émetteur et du récepteur sont éteints. Si le voyant LED de pile clignote, remplacez les piles de l'appareil.
3. Effectuez un test de passage afin de vérifier que le voyant LED d'alarme du récepteur s'allume lorsqu'une personne interrompt les faisceaux en passant devant. Réalisez un test de passage aux trois endroits suivants :
 - A : Devant l'émetteur
 - B : Devant le récepteur
 - C : À mi-distance entre l'émetteur et le récepteur

Figure 36. Réalisation d'un test de passage



4. **Facultatif** : Si vous utilisez la minuterie d'économie des piles, activez-la une fois le test de passage terminé. Voir Minuterie d'économie des piles.

Le détecteur fonctionne correctement lorsque le voyant LED d'alarme s'allume aux trois endroits indiqués.

Voyant LED

Le tableau suivant explique la signification des voyants LED de l'appareil.

	Détection (interruption du faisceau)	Normal	Niveau des piles d'alimentation faible
Alarme (récepteur)	Allumé	Éteint	—
Alimentation (émetteur)	Allumé	Allumé	—
Pile faible (récepteur et émetteur)	—	—	Clignotement

Minuterie d'économie des piles

Activez la minuterie d'économie des piles après l'installation afin d'éviter de décharger inutilement les piles et de générer plusieurs événements d'alarme. L'activation de la minuterie d'économie des piles définit une période qui débute au moment où le détecteur identifie et transmet un événement. Un seul événement est transmis pendant ce laps de temps et tous les événements ultérieurs ne sont pas transmis avant la fin de cette période. Pour le réglage des commutateurs DIP d'économie des piles, voir *Paramètres facultatifs*.

Remarques :

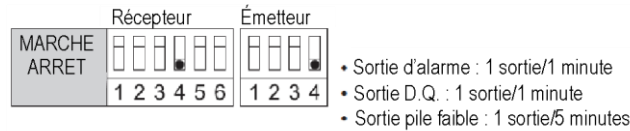
- Désactivez la minuterie d'économie des piles pour bien tester l'appareil.
- Si l'appareil est installé sur un mur ou un montant, vérifiez que le couvercle est fermement fixé à l'unité principale.

Paramètres facultatifs

Attention : Ne modifiez pas les réglages par défaut. En modifiant les réglages par défaut, vous risquez d'entraîner des dysfonctionnements de l'appareil et d'augmenter les défaillances ou les fausses alarmes.

Réglage des commutateurs DIP et des sorties

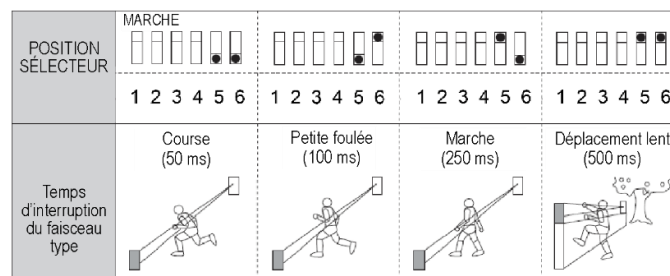
Figure 37. Réglage des commutateurs DIP et des sorties



Réglage du temps d'interruption du faisceau

Vous pouvez régler les paramètres de temps d'interruption du faisceau en fonction de la cible prévue pour les détecteurs. Pour cela, utilisez une des quatre positions du sélecteur décrites ci-dessous. Le paramètre par défaut est de 50 ms.

Figure 38. Réglage du temps d'interruption du faisceau



Sortie D.Q. (disqualification environnementale)

La fonction de sortie D.Q. (disqualification environnementale) détecte les situations où la puissance du faisceau est inférieure aux niveaux acceptables en raison de facteurs ambiants de type fortes précipitations, neige ou brouillard. Si la puissance du faisceau est faible pendant plus de 20 secondes du fait de ces conditions météorologiques, un signal de sortie D.Q. est généré. Le signal revient à la normale dès que la puissance du faisceau atteint des niveaux acceptables pendant plus de 2 secondes d'affilée.

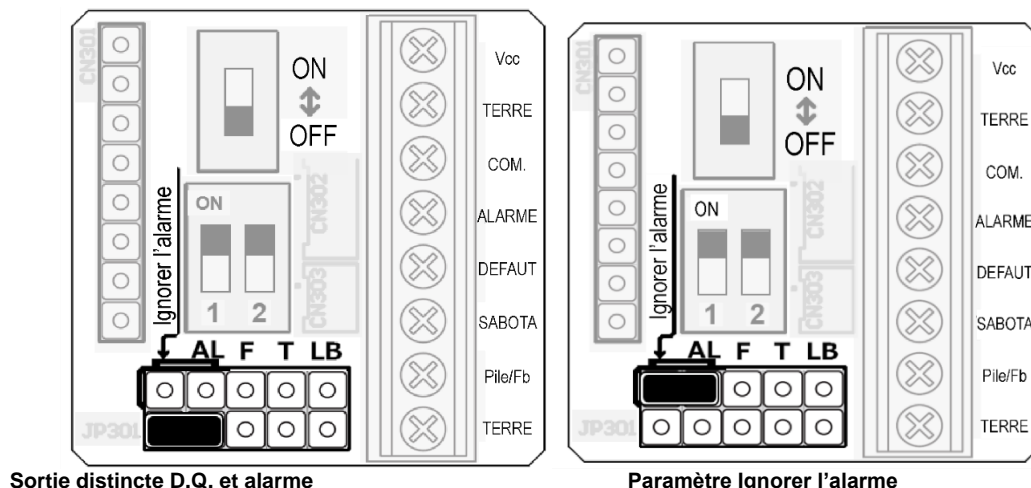
Remarque : La sortie D.Q. n'est pas évaluée par l'organisme UL.

Il est possible de configurer le signal de sortie D.Q. pour l'un des usages suivants :

- **Sortie distincte :** informe l'utilisateur que le détecteur ne fonctionne pas correctement en raison des conditions météorologiques.
- **Ignorer l'alarme :** ignore l'alarme lorsque la sortie D.Q. est déclenchée par des conditions météorologiques difficiles.

Vous pouvez configurer l'une ou l'autre option en utilisant les réglages de broches de cavalier suivants sur la carte d'interface du récepteur :

Figure 39. Carte d'interface du récepteur



Dépannage

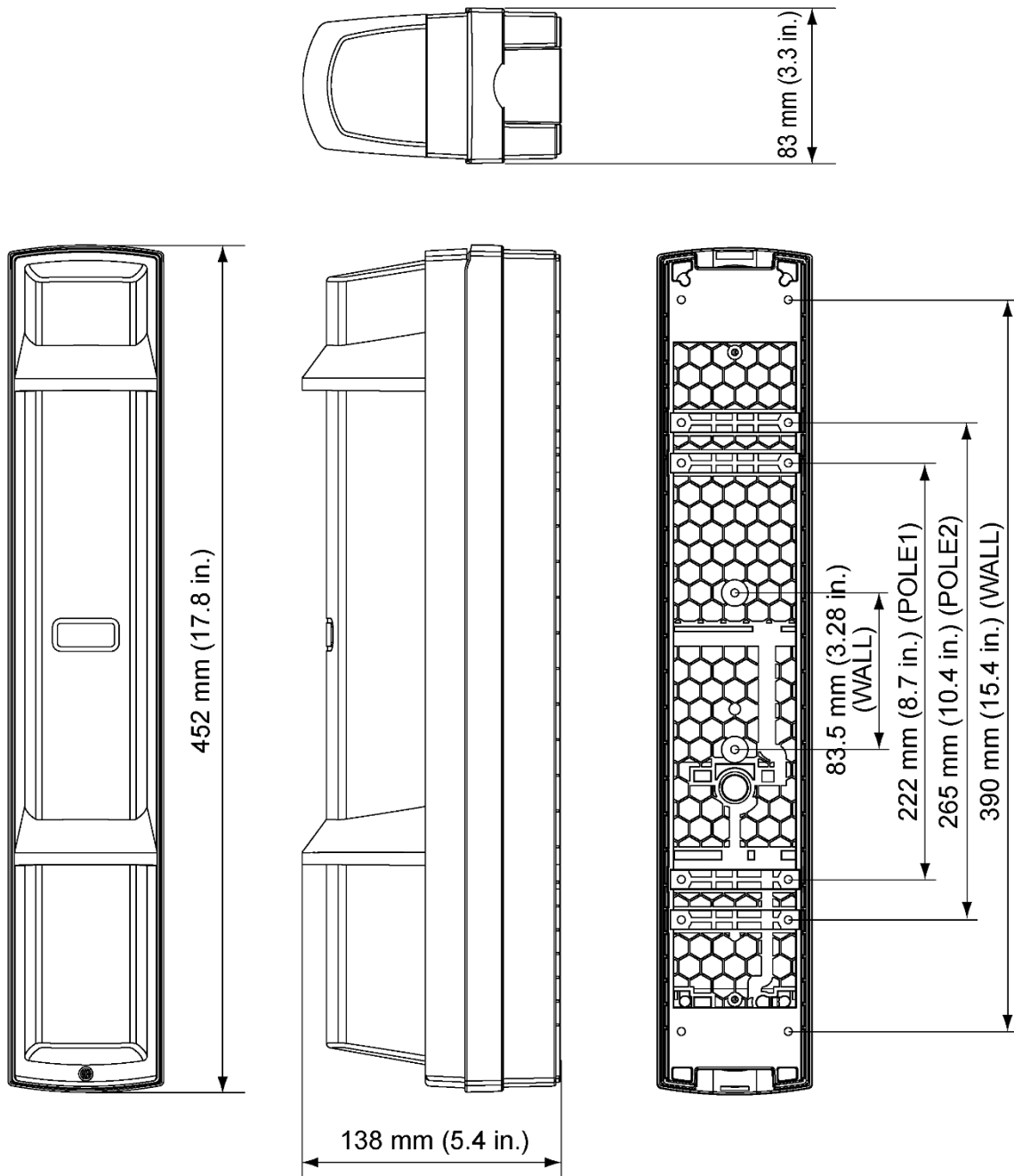
Problème	Cause possible	Mesure corrective
Les voyants LED ne s'allument pas (émetteur ou récepteur)	Inversion de la polarité des piles	Vérifier la polarité des piles
L'indicateur de pile faible clignote même lorsque la batterie est en place (émetteur ou récepteur)	Niveau des piles d'alimentation faible	Remplacer les piles
Absence de sortie d'alarme	Réflexion du sol ou d'un mur	Aligner les faisceaux loin du sol ou des murs
	Faisceau non bloqué	Bloquer les quatre faisceaux
Sorties d'alarme constantes	Les canaux de l'émetteur et du récepteur sont différents	Définir le même canal pour l'émetteur et le récepteur
	Plusieurs détecteurs photoélectriques pour des applications longue portée ou d'empilement de faisceaux	Régler les canaux 1-3, 2-4 ou 1-4.
	L'alignement optique n'a pas été effectué correctement	Voir <i>Alignement optique</i>
Les piles se déchargent trop rapidement	Le dispositif antisabotage n'est pas fermé	Fixer correctement le couvercle de la plaque de blocage du dispositif antisabotage
Le gel, la neige ou de fortes pluies provoquent des fausses alarmes	L'alignement optique n'est pas optimisé	Voir <i>Alignement optique</i>
	Sortie DQ non activée	Voir <i>Paramètres facultatifs : Sortie D.Q.</i>
Le dispositif antisabotage mural ne s'active pas	Les vis situées entre le châssis et le boîtier arrière sont desserrées	Serrer les vis
	La garniture d'étanchéité du boîtier arrière n'est pas fixée	Retirer le châssis du boîtier arrière et fixer correctement la garniture d'étanchéité au châssis

Remplacement des piles

Lors du remplacement des piles, retirer toutes les piles avant d'en introduire de nouvelles. Cela permet de réinitialiser le voyant LED de niveau de pile faible.

Dimensions

Figure 40. Dimensions



Spécifications

SPÉCIFICATIONS GÉNÉRALES

Portée de détection maximale : 100 m/350 ft

Méthode de détection : détection d'interruption des quatre faisceaux infrarouges

Fréquence de faisceau sélectionnable : 4 canaux

Temps d'interruption : variable, défini sur 50, 100, 250 ou 500 ms

Source d'alimentation : recommandation : piles au lithium LSH20 3,6 V, 13 Ah fabriquées par SAFT

Appel de courant : 745 μ A. Émetteur : 420 μ A + Récepteur : 325 μ A (à 25 °C, 3,6 Vcc)*

Durée de vie des piles : Émetteur : environ 4 ans. Récepteur : environ 5 ans**

Température en fonctionnement : -20°C - +60°C (-4°F - 140°F)

Humidité en fonctionnement : 95 % (max.)

Angle d'alignement : $\pm 90^\circ$ à l'horizontale, $\pm 10^\circ$ à la verticale

Dimensions : H x l x P mm (po) : 452 (17,9) x 83 (3,3) x 138 (5,4)

Poids : 3,3 kg, inclus le poids total de l'émetteur et du récepteur, à l'exclusion des accessoires

Indice de protection international : IP65

Fréquence d'émission de supervision : 912 à 919 MHz ; intervalles de 128/256 secondes

INDICATEURS

Indicateur d'alarme (récepteur) : Alarme : voyant allumé. Réception de lumière : voyant éteint

Indicateur de niveau (récepteur) : Aucun faisceau reçu : voyant allumé. Faisceau reçu : voyant qui clignote ou éteint

Indicateur d'alimentation (émetteur) : sous tension : voyant allumé ; hors tension : voyant éteint

Indicateur de pile faible : baisse de tension : voyant qui clignote

Les spécifications et la conception peuvent faire l'objet de modifications sans préavis.

*La valeur est basée sur la condition utilisée dans la plage de températures ambiantes de 20 à 25 °C (LSH-20 x 2 unités).

**La spécification de durée de vie des piles s'applique uniquement aux piles recommandées. Voir *Commande de piles pour le détecteur*. L'utilisation d'autres types de piles peut affecter la durée de vie des piles ou les performances du produit.

Remarque : Ces appareils sont conçus pour détecter les intrus et activer une centrale d'alarme, ils font partie d'un système complet. Par conséquent, le fabricant décline toute responsabilité concernant les dommages ou autres conséquences résultant d'une intrusion.

Conformité aux normes

États-Unis : FCC - CFR 47 section 15
UL Resi/Com Burg : UL639



Canada : IC RSS – 247
ULC Resi/Com Burg ULC-S306

Le présent appareil est conforme aux CNR d'Industrie Canada applicables aux appareils radio exempts de licence. L'exploitation est autorisée aux deux conditions suivantes : (1) l'appareil ne doit pas produire de brouillage, et (2) l'utilisateur de l'appareil doit accepter tout brouillage radioélectrique subi, même si le brouillage est susceptible d'en compromettre le fonctionnement.

Afin de respecter la section 1.1310 de la Réglementation FCC, portant sur l'exposition des individus aux champs électromagnétiques des fréquences radio, ainsi que les exigences IC, suivez les instructions suivantes : Le dispositif doit être placé à une distance d'au moins 20 cm à partir de toutes les personnes au cours de son fonctionnement normal. Les antennes utilisées pour ce produit ne doivent pas être situées ou exploitées conjointement avec une autre antenne ou transmetteur.

REMARQUE : Cet équipement a été testé et déclaré conforme aux limites définies pour les appareils numériques de Classe B, conformément à la Partie 15 de la Réglementation FCC. Ces limites sont destinées à assurer une protection raisonnable contre les interférences nuisibles en cas d'utilisation dans un environnement résidentiel. Cet appareil génère, consomme et peut diffuser de l'énergie de fréquence radio et, s'il n'est pas installé et utilisé conformément aux instructions, peut provoquer des interférences nuisibles avec les communications radio. Il n'existe toutefois aucune garantie que des interférences ne se produiront pas dans une installation particulière. Si cet équipement provoque des interférences altérant la réception de la radio et de la télévision, ce qui peut être vérifié en l'éteignant et en le rallumant, l'utilisateur peut tenter de résoudre le problème en appliquant une ou plusieurs des mesures suivantes : réorienter ou déplacer l'antenne de réception ; augmenter la distance séparant l'équipement du récepteur ; brancher l'équipement sur une prise d'un circuit différent de celui auquel le récepteur est connecté ; consulter le revendeur ou un technicien radio/TV expérimenté pour obtenir de l'aide.
- Cet appareil numérique de classe B est conforme à la norme NMB-003 du Canada.

ATTENTION ! Toute modification apportée à cet appareil et non approuvée expressément par la partie responsable de la conformité pourrait annuler le droit à l'utiliser.

Remarques relatives aux exigences UL/ULC

Seul le modèle PG9350SL fonctionnant dans la bande de fréquences 912-919MHz est homologué UL/ULC. Le modèle PG9350SL a été homologué par UL pour des applications anti-cambriolage tertiaires et résidentielles, et par ULC pour les applications anti-cambriolage résidentielles conformément aux exigences des normes UL 639 et ULC-S306 pour les équipements de détection anti-intrusion. Dans les installations UL/ULC, cet appareil doit être exclusivement utilisé de pair avec des récepteurs sans fil DSC compatibles : HSM2HOST9, HS2LCDFR(P)9, HS2ICNRF(P) 9, PG9920, PowerSeries NEO (v1.37 et ultérieures), PowerSeries Pro (v1.31 et ultérieures), IQPanel2 (v2.6 et ultérieures), IQHub (v3.0 et ultérieures) et IQPanel4 (v4.0 et ultérieures).

DÉCLARATION DE CONFORMITÉ FCC

ATTENTION ! Toute modification apportée à cet appareil et non approuvée expressément par la partie responsable de la conformité pourrait annuler le droit à l'utiliser.

Cet appareil a été testé et déclaré conforme aux limites définies pour les appareils numériques de classe B, conformément à la section 15 de la Réglementation FCC. Ces limites sont destinées à assurer une protection raisonnable contre les interférences nuisibles en cas d'utilisation dans des environnements résidentiels. Cet appareil génère, consomme et peut diffuser de l'énergie de fréquence radio et, s'il n'est pas installé et utilisé conformément aux instructions, peut provoquer des interférences nuisibles altérant la réception des signaux radio et télévisuels. Il n'existe toutefois aucune garantie que des interférences ne se produiront pas dans une installation particulière. Si cet appareil provoque de telles interférences, ce qui peut être déterminé en l'allumant et en l'éteignant, l'utilisateur peut tenter de résoudre le problème en appliquant une ou plusieurs des mesures suivantes :

- Réorienter ou déplacer l'antenne de réception
- Augmenter la distance séparant l'appareil du récepteur
- Brancher l'appareil sur une prise d'un circuit différent de celui auquel le récepteur est connecté
- Consulter le revendeur ou un technicien radio/TV expérimenté

Référence FCC : F5321PG9350SL

Déclaration ISED (Innovation Science and Economic Development Canada)

Cet équipement est conforme aux limites de rayonnement établies par la FCC et ISED Canada pour un environnement non contrôlé.

Le présent appareil est conforme aux CNR d'ISED Canada applicables aux appareils radio exempts de licence. L'exploitation est autorisée aux deux conditions suivantes : (1) l'appareil ne doit pas produire de brouillage, et (2) l'utilisateur de l'appareil doit accepter tout brouillage radioélectrique subi, même si le brouillage est susceptible d'en compromettre le fonctionnement.

Afin de respecter la section 1.1310 de la Réglementation FCC, portant sur l'exposition des individus aux champs électromagnétiques des fréquences radio ainsi que les exigences IC, suivez les instructions suivantes : Le dispositif doit être placé à une distance d'au moins 20 cm à partir de toutes les personnes au cours de son fonctionnement normal. Les antennes utilisées pour ce produit ne doivent pas être situées ou exploitées conjointement avec une autre antenne ou transmetteur.

IC : 160A-PG9350SL

Le terme « IC » précédant le numéro de certification radio indique uniquement que les spécifications techniques d'Industrie Canada sont remplies.

Cet appareil numérique de la classe B est conforme à la norme NMB-003 du Canada. Ce dispositif satisfait aux exigences d'Industrie Canada, prescrites dans le document CNR-247. son utilisation est autorisée seulement aux conditions suivantes: (1) il ne doit pas produire de brouillage et (2) l'utilisateur du dispositif doit être prêt à accepter tout brouillage radioélectrique reçu, même si ce brouillage est susceptible de compromettre le fonctionnement du dispositif.

Garantie limitée

Digital Security Controls garantit le produit contre tout défaut de pièce et main-d'œuvre dans des conditions normales d'utilisation pendant une période de 12 mois à compter de la date d'achat. En cas de défaut de la présente garantie, Digital Security Controls s'engage, à son entière discrétion, à réparer ou à remplacer tout appareil défectueux dès son retour à l'usine. Cette garantie s'applique uniquement aux défauts de pièces et main-d'œuvre et non aux dommages survenus pendant le transport ou la manipulation, occasionnés par des phénomènes hors du contrôle de Digital Security Controls, tels qu'une surtension, un choc mécanique ou un dégât des eaux, ou encore dus à tout(e) autre usage abusif, modification ou utilisation inappropriée du matériel.

La garantie qui précède s'applique uniquement à l'acheteur initial, en lieu et place de toute autre garantie, qu'elle soit expresse ou implicite, ainsi que de toute autre obligation ou responsabilité de la part de Digital Security Controls. Digital Security Controls décline toute responsabilité et interdit à toute autre personne prétendant agir en son nom de modifier ou de changer cette garantie, et rejette toute autre garantie ou responsabilité relative à ce produit.

En aucun cas Digital Security Controls ne pourra être tenu responsable de dommages directs, indirects ou secondaires ni de pertes de profits anticipées, de temps ou autres, occasionnés par l'acheteur en lien avec l'achat, l'installation, l'utilisation ou la défaillance de ce produit.

Attention : *Digital Security Controls recommande de tester entièrement et régulièrement l'ensemble du système. Toutefois, malgré des tests réguliers, il peut arriver que le fonctionnement du produit ne soit pas conforme aux attentes en raison, notamment, mais pas exclusivement, de sabotages criminels ou de pannes électriques.*

Informations importantes : *Toute modification non approuvée expressément par Digital Security Controls pourrait annuler le droit à utiliser cet appareil par l'utilisateur.*

IMPORTANT - À LIRE ATTENTIVEMENT : Le Logiciel DSC acquis avec ou sans Produits et Composants est protégé par les droits d'auteur et est acheté en vertu des conditions de licence suivantes :

- Le présent Contrat de licence de l'utilisateur final (le « CLUF ») est un accord juridique conclu entre Vous (l'entreprise, l'individu ou l'entité ayant fait l'acquisition du Logiciel et de tout Matériel associé) et Digital Security Controls, une division de Tyco Safety Products Canada Ltd. (« DSC »), le fabricant des systèmes de sécurité intégrés et le développeur du logiciel et des produits ou composants associés (le « MATÉRIEL ») dont Vous avez fait l'acquisition.

- Si le produit logiciel DSC (« PRODUIT LOGICIEL » ou « LOGICIEL ») est prévu pour être accompagné par du MATÉRIEL et qu'il N'est PAS fourni avec du nouveau MATÉRIEL, Vous n'avez pas le droit d'utiliser, de copier ou d'installer le PRODUIT LOGICIEL. Le PRODUIT LOGICIEL comprend le logiciel informatique et peut également inclure des supports, des documents imprimés et de la documentation « en ligne » ou électronique associés.

• Tout logiciel fourni avec le PRODUIT LOGICIEL qui est associé à un contrat de licence de l'utilisateur final distinct Vous est concédé sous licence en vertu des conditions de ce contrat de licence. • En installant, en copiant, en téléchargeant, en stockant, en ouvrant ou en utilisant d'une autre manière le PRODUIT LOGICIEL, Vous acceptez sans conditions d'être lié par les clauses du présent CLUF, même si ce CLUF est considéré comme une modification de tout accord ou contrat antérieur. Si Vous n'acceptez pas les conditions du présent CLUF, DSC refuse de Vous accorder une licence d'utilisation pour le PRODUIT LOGICIEL et Vous interdit d'utiliser ce dernier.

LICENCE

Le PRODUIT LOGICIEL est protégé par des lois et des traités internationaux sur les droits d'auteur, ainsi que par d'autres lois et traités relatifs à la propriété intellectuelle. Le PRODUIT LOGICIEL est concédé sous licence et non vendu.

1. OCTROI DE LA LICENCE – Ce CLUF Vous accorde les droits suivants :

(a) Installation et utilisation du Logiciel – Pour chacune des licences acquises, Vous n'avez le droit d'installer qu'une seule copie du PRODUIT LOGICIEL.

(b) Stockage/Utilisation en réseau – Le PRODUIT LOGICIEL ne peut pas être installé, ouvert, affiché, exécuté, partagé ou utilisé simultanément sur ou depuis des ordinateurs différents, notamment un poste de travail, un terminal ou tout autre dispositif électronique numérique (« Dispositif »). Autrement dit, si Vous possédez plusieurs postes de travail, Vous devrez acheter une licence pour chaque poste sur lequel le LOGICIEL sera utilisé.

(c) Copie de sauvegarde – Vous pouvez effectuer des copies de sauvegarde du PRODUIT LOGICIEL, mais Vous ne pouvez installer qu'une seule copie par licence à tout moment. Vous pouvez uniquement utiliser une copie de sauvegarde à des fins d'archivage. Sauf mention expresse prévue dans ce CLUF, Vous n'avez pas le droit d'effectuer des copies du PRODUIT LOGICIEL, ni des documents imprimés qui l'accompagnent.

2. DESCRIPTION D'AUTRES DROITS ET LIMITES

(a) Limites relatives à l'ingénierie inverse, à la décompilation et au désassemblage – Vous n'avez pas le droit d'effectuer d'ingénierie inverse, de décompiler ou de désassembler le PRODUIT LOGICIEL, sauf et uniquement dans la mesure où une telle activité est expressément permise par la loi en vigueur, nonobstant cette limite. Vous n'avez pas le droit d'apporter de changements ou de modifications au Logiciel sans l'autorisation écrite d'un responsable de DSC. Vous n'êtes pas autorisé à retirer les avis, marques ou étiquettes de propriété exclusive figurant sur le Produit Logiciel. Vous devrez prendre des mesures raisonnables afin d'assurer le respect des conditions générales du présent CLUF.

(b) Séparation des Composants – Le PRODUIT LOGICIEL est concédé sous licence en tant que produit unique. Ses éléments constitutifs ne peuvent pas être séparés pour être utilisés sur plus d'une unité MATÉRIELLE.

(c) PRODUIT INTÉGRÉ unique – Si vous avez acquis ce LOGICIEL avec du MATÉRIEL, le PRODUIT LOGICIEL est concédé sous licence avec le MATÉRIEL en tant que produit intégré unique. Dans ce cas, le PRODUIT LOGICIEL ne peut être utilisé qu'avec le MATÉRIEL, conformément à ce CLUF.

(d) Location – Vous n'avez pas le droit de louer, de mettre en bail ou de prêter le PRODUIT LOGICIEL. Vous n'avez pas le droit de le mettre à la disposition d'autres personnes ou de l'afficher sur un serveur ou un site Web.

(e) Transfert du Produit Logiciel – Vous pouvez céder tous vos droits en vertu de ce CLUF uniquement dans le cadre de la vente ou de la cession permanente du MATÉRIEL, à condition que Vous ne conserviez aucune copie, que Vous cédiez le PRODUIT LOGICIEL entier (tous les composants, supports, documents imprimés et autres, toutes les mises à niveau et le présent CLUF), et à condition que le destinataire accepte les conditions du présent CLUF. Si le PRODUIT LOGICIEL est une mise à niveau, la cession doit également inclure toutes les versions antérieures du PRODUIT LOGICIEL.

(f) Résiliation – Sans préjudice de tout autre droit, DSC se réserve le droit de résilier ce CLUF si Vous ne respectez pas ses conditions générales. Dans ce cas, Vous devez détruire toutes les copies du PRODUIT LOGICIEL et tous ses éléments constitutifs.

(g) Marques – Le présent CLUF ne vous octroie aucun droit sur toute marque commerciale ou marque de service de DSC ou de ses fournisseurs.

3. DROITS D'AUTEUR

Tous les titres et droits de propriété intellectuelle associés au PRODUIT LOGICIEL (notamment mais pas seulement aux images, photographies et textes incorporés dans le PRODUIT LOGICIEL), les documents imprimés joints et tout exemplaire du PRODUIT LOGICIEL sont la propriété de DSC et de ses fournisseurs. Vous n'avez pas le droit d'effectuer de copies des documents imprimés accompagnant le PRODUIT LOGICIEL. Tous les titres et droits de propriété intellectuelle associés aux contenus accessibles par le biais du PRODUIT LOGICIEL sont détenus par les propriétaires respectifs des contenus et peuvent être protégés par des droits d'auteur ou autres lois et traités sur la propriété intellectuelle. Le présent CLUF ne Vous accorde pas le droit d'utiliser ces contenus. Tous les droits qui ne sont pas expressément accordés en vertu de ce CLUF sont réservés par DSC et ses fournisseurs.

4. RESTRICTIONS RELATIVES À L'EXPORTATION

Vous acceptez de ne pas exporter ou réexporter le PRODUIT LOGICIEL à destination d'un pays, d'une personne ou d'une entité soumis à des restrictions d'exportation canadiennes.

5. LÉGISLATION COMPÉTENTE

Ce Contrat de licence de l'utilisateur final est régi par les lois de la Province de l'Ontario, au Canada.

6. ARBITRAGE

Tous les conflits survenant en lien avec le Contrat seront résolus par un arbitrage définitif et sans appel conformément à la Loi sur l'arbitrage, et les parties conviennent d'être liées par la décision de l'arbitre. Le lieu de l'arbitrage sera Toronto, au Canada, et la langue de l'arbitrage sera l'anglais.

7. GARANTIE LIMITÉE

(a) ABSENCE DE GARANTIE – DSC FOURNIT LE LOGICIEL « EN L'ÉTAT » SANS GARANTIE. DSC NE GARANTIT PAS QUE LE LOGICIEL RÉPONDE À VOS EXIGENCES OU QUE L'EXPLOITATION DU LOGICIEL SOIT ININTERROMPUE OU EXEMPTÉ D'ERREUR.

(b) CHANGEMENT D'ENVIRONNEMENT D'EXPLOITATION – DSC ne sera pas responsable des problèmes provoqués par des changements dans les caractéristiques d'exploitation du MATÉRIEL, ou des problèmes d'interaction du PRODUIT LOGICIEL avec des LOGICIELS ou COMPOSANTS MATÉRIELS NON-DSC.

(c) LIMITES DE RESPONSABILITÉ ; LA GARANTIE REFLÈTE LA RÉPARTITION DES RISQUES – DANS TOUS LES CAS, SI UN STATUT QUELCONQUE SUPPOSE DES GARANTIES OU CONDITIONS QUI NE SONT PAS STIPULÉES DANS LE PRÉSENT CONTRAT DE LICENCE, LA RESPONSABILITÉ INTÉGRALE ASSUMÉE PAR DSC DANS LE CADRE D'UNE DISPOSITION QUELCONQUE DE CE CONTRAT SE LIMITERA AU MONTANT LE PLUS ÉLEVÉ QUE VOUS AVEZ PAYÉ POUR LA LICENCE DU PRODUIT LOGICIEL ET CINQ DOLLARS CANADIENS (5 \$ CAD). ÉTANT DONNÉ QUE CERTAINES JURIDICTIONS NE PERMETTENT PAS L'EXCLUSION OU LES RESTRICTIONS DE RESPONSABILITÉ POUR DOMMAGES INDIRECTS OU SECONDAIRES, CES RESTRICTIONS PEUVENT NE PAS S'APPLIQUER À VOTRE CAS.

(d) EXONÉRATION DE GARANTIES – CETTE GARANTIE CONTIENT L'INTÉGRALITÉ DE LA GARANTIE ET REMPLACERA TOUTES LES AUTRES GARANTIES, QU'ELLES SOIENT EXPLICITES OU IMPLICITES (NOTAMMENT TOUTES LES GARANTIES IMPLICITES DE QUALITÉ MARCHANDE OU D'ADÉQUATION À UN USAGE PARTICULIER) ET TOUTE AUTRE OBLIGATION OU RESPONSABILITÉ DE DSC. DSC N'ÉTABLIT AUCUNE AUTRE GARANTIE. DSC DÉCLINE TOUTE RESPONSABILITÉ ET INTERDIT À TOUTE AUTRE PERSONNE PRÉTENDANT AGIR EN SON NOM DE MODIFIER OU DE CHANGER CETTE GARANTIE, ET REJETTE TOUTE AUTRE GARANTIE OU RESPONSABILITÉ RELATIVE À CE PRODUIT LOGICIEL.

(e) RECOURS EXCLUSIF ET LIMITE DE GARANTIE – DSC NE SERA EN AUCUN CAS RESPONSABLE DES DOMMAGES PARTICULIERS, ACCIDENTELS OU INDIRECTS SUR LA BASE D'UNE RUPTURE DE GARANTIE, RUPTURE DE CONTRAT, NÉGLIGENCE, RESPONSABILITÉ STRICTE OU TOUTE AUTRE THÉORIE JURIDIQUE. DE TELS DOMMAGES INCLUENT NOTAMMENT, MAIS NON EXCLUSIVEMENT, LA PERTE DE PROFIT, LA PERTE DU PRODUIT LOGICIEL OU DE TOUT AUTRE ÉQUIPEMENT ASSOCIÉ, UN COÛT DU CAPITAL, UN COÛT DE REMPLACEMENT OU DE SUBSTITUTION DES ÉQUIPEMENTS, DES INSTALLATIONS OU DES

SERVICES, UN TEMPS D'ARRÊT, LE TEMPS DE L'ACHAT, LES RÉCLAMATIONS DE TIERS, Y COMPRIS DES CLIENTS, AINSI QUE LES DOMMAGES AUX BIENS.

ATTENTION : DSC recommande de tester entièrement et régulièrement l'ensemble du système. Toutefois, malgré des tests réguliers, il peut arriver que le fonctionnement du PRODUIT LOGICIEL ne soit pas conforme aux attentes en raison, notamment, mais pas exclusivement, de sabotages criminels ou de pannes électriques.

Veillez à toujours utiliser la version la plus récente du Manuel de l'utilisateur. Contactez votre distributeur pour obtenir les versions à jour du présent Manuel de l'utilisateur.

© 2022 Johnson Controls. Tous droits réservés. JOHNSON CONTROLS et DSC sont des marques de commerce et/ou des marques déposées. Toute utilisation non autorisée est strictement interdite.

Cet appareil numérique de la classe B est conforme à la norme NMB- 003 du Canada. Ce dispositif satisfait aux exigences d'Industrie Canada, prescrites dans le document CNR-247. son utilisation est autorisée seulement aux conditions suivantes : (1) il ne doit pas produire de brouillage et (2) l'utilisateur du dispositif doit être prêt à accepter tout brouillage radioélectrique reçu, même si ce brouillage est susceptible de compromettre le fonctionnement du dispositif.

PG9350SL

Detector de haz fotoeléctrico inalámbrico

Características del detector

- Función de ahorro batería
- Grado de impermeabilidad IP65, no evaluado por UL
- Selector de frecuencia del haz de 4 canales
- Circuito de descalificador ambiental por configurar comportamiento en condiciones meteorológicas adversas
- Función manipulación
- Alcance de detección al aire libre de 350 pies

Introducción

El PG9350SL es un detector de haz fotoeléctrico inalámbrico PowerG, que protege los perímetros al aire libre.

Advertencia: El incumplimiento de las instrucciones entregadas con este dispositivo o una manipulación incorrecta de este puede causar la muerte o daños graves.

Información sobre seguridad

Advertencias

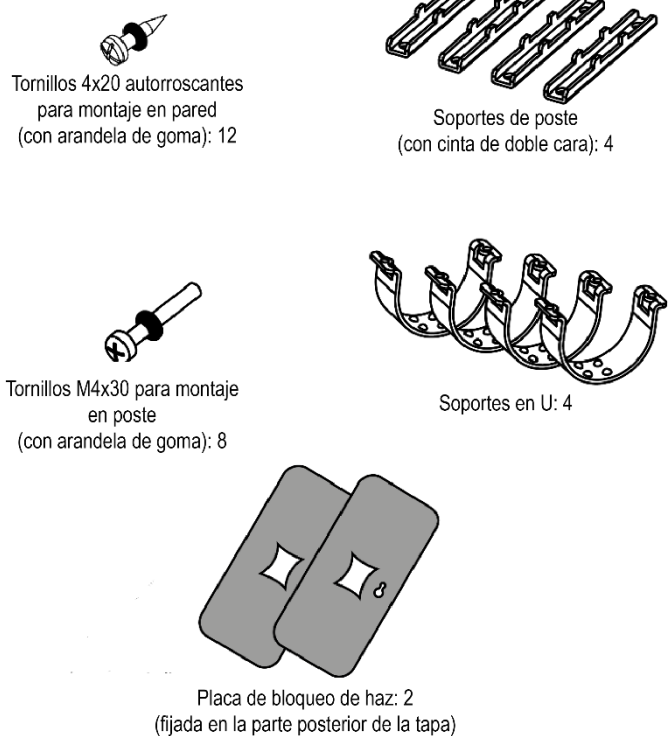
- No use el producto para otros fines que no sean la detección de objetos en movimiento, tales como personas y vehículos.
- No use el producto para fines no previstos, como activar una persiana, ya que esto puede provocar un accidente.
- No toque el producto mojado ni toque la base de la unidad o los terminales de potencia del producto con las manos mojadas. Esto puede provocar una descarga eléctrica.
- No vierta agua sobre el producto, ya que puede causar daños.
- No intente nunca desmontar o reparar el producto. Esto puede causar un incendio o daños a los dispositivos.
- No use baterías con niveles diferentes de potencia de carga, es decir, baterías nuevas y usadas. El incumplimiento de estas directrices puede provocar una explosión, fuga de electrolito, emisión de gases tóxicos u otros resultados, que podrían ser perjudiciales para las personas y las cosas.
- Al manipular las baterías, no efectúe recargas, cortocircuitos, aplastamientos, desmontajes, supere la temperatura de 100°C (212°F), incinere o exponga el contenido al agua. No realice soldaduras directamente en la celda. El incumplimiento de estas directrices puede provocar un incendio, una explosión o el riesgo de quemaduras graves.
- Limpie y controle el producto periódicamente para un uso seguro. En caso de detectarse algún problema, deje de usar el producto, y hágalo reparar por un ingeniero o electricista profesional.

Contenido de la caja

- Módulos del transmisor y receptor
- Documentación del producto
- Paquete hardware

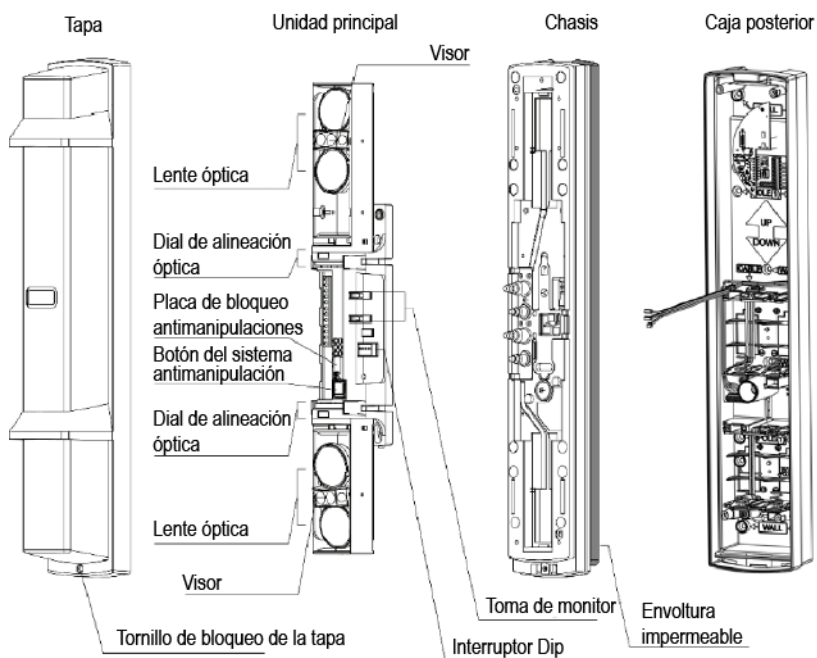
Accesorios

Figura 1. Accesorios



Identificación de piezas

Figura 2. Identificación de piezas



Pedido de las baterías del detector

Las baterías especificadas para el dispositivo son cuatro (4) baterías LSH20, fabricadas por SAFT, dos para el transmisor y las otras dos para el receptor.

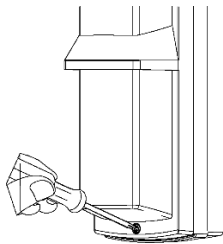
Para obtener información sobre las baterías, entre en el siguiente sitio web y contacte a su representante local SFT. Consulte <https://www.saftbatteries.com/products-solutions/products/lsh-lsp>

Desmontaje del dispositivo

Desmunte el dispositivo antes de efectuar el registro y el montaje.

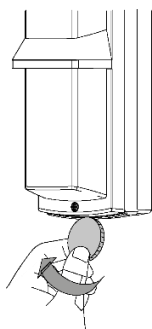
1. Afloje el tornillo de bloqueo de la tapa con un destornillador.

Figura 3. Extracción del tornillo de bloqueo de la tapa



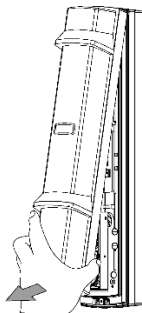
2. Coloque una moneda en el hueco y gire ligeramente para desbloquear la tapa.

Figura 4. Desbloqueo de la tapa



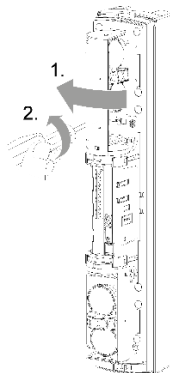
3. Tire de la tapa desde la parte posterior del dispositivo.

Figura 5. Extracción de la tapa



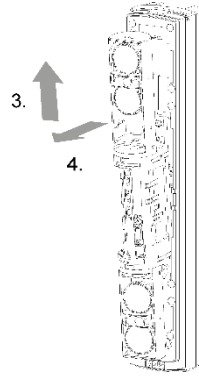
4. Para retirar la unidad principal del chasis, gire la unidad óptica 90° y retire los tornillos de ambos lados.

Figura 6. Extracción de los tornillos de la unidad principal



5. Tire de la parte superior de la unidad principal hacia delante y hacia arriba para extraerla.

Figura 7. Desmontaje de la unidad principal



Precaución: No coloque la unidad principal donde esté expuesta a la luz solar directa. De lo contrario, puede dañar el producto.

6. Afloje los 5 tornillos de la tapa trasera y retire el chasis de la caja posterior.

Nota: Complete el proceso de desmontaje para el transmisor y el receptor antes de montar el dispositivo.

Inscripción

Paneles compatibles

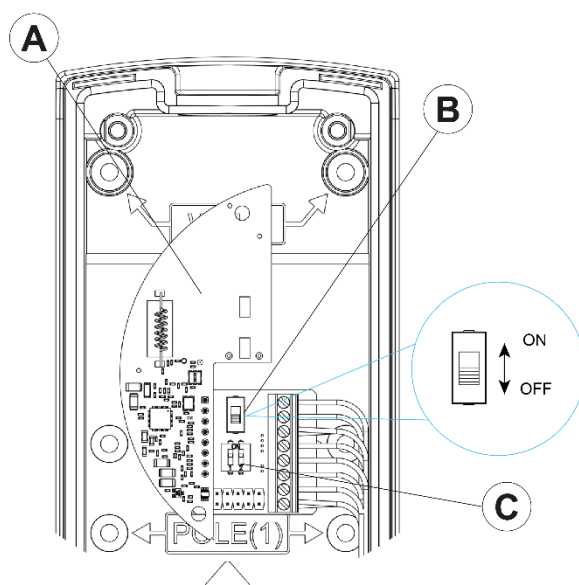
- PowerSeries NEO (v1.37 y superiores)
- PowerSeries Pro (v1.31 y superiores)
- IQ2+ (v2.6.2 y superiores)
- IQ Hub (v3.0.1 y superiores)
- IQ4 (v4.0.1 y superiores)

Registrar el dispositivo

El dispositivo comienza el proceso de registro cuando se enciende el módulo PowerG. El módulo PowerG es una tarjeta en el detector.

Nota: Registre el transmisor y el receptor en el panel de control. Los módulos pueden registrarse en cualquier orden.

Figura 8. Vista interna



A	Tarjeta dependiente PowerG			
B	Interruptor de potencia PowerG			
C	Configuración de interruptores DIP	Configuración	Interruptor DIP 1	Interruptor DIP 2
		Receptor	ON	ON
		Transmisor	OFF	ON

1. Asegúrese de que el panel de control esté en el modo registro.
2. Instale las baterías en el detector.
3. Gire el interruptor del potencia del módulo PowerG, situado en el cuadro de la interfaz, para situarlo en la posición ON. Consulte el manual de instalación del panel de control para disponer de todas las instrucciones completas de registro.

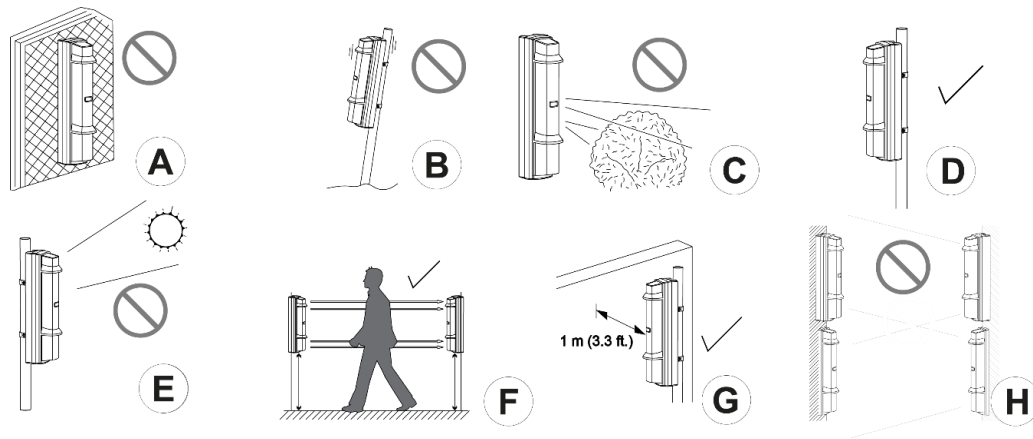
Si el procedimiento de registro automático no se realiza correctamente, consulte las instrucciones del panel de control y registre el dispositivo manualmente.

4. **Opcional:** Configure los ajustes opcionales de la tarjeta de interfaz. Para obtener más información, consulte la sección *Ajustes opcionales*.
5. **¡Importante!** Gire el interruptor hasta la posición OFF y extraiga las baterías. Coloque de nuevo las baterías tras haber montado el dispositivo.

Nota: Complete el registro para el transmisor y el receptor antes de montar el dispositivo.

Montaje

Figura 9. Directrices de montaje



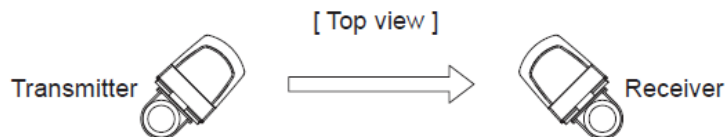
A	No monte el dispositivo sobre una superficie inestable
B	No monte el dispositivo sobre un poste inestable.
C	No monte el dispositivo cerca de árboles u otros objetos que pueden bloquear el haz.
D	Cuando el montaje se realiza en un poste, el diámetro del poste debe ser de 34 - 48 mm (1,34" - 1,89").
E	La luz solar directa puede afectar al rendimiento del dispositivo. Evite montar el dispositivo donde esté expuesto a mucha luz solar directa.
F	Monte el dispositivo a una altura comprendida entre 0,7 y 1 m (entre 2,3 y 3,3 pies).
G	Monte el dispositivo al menos a 1 m (3,3 pies) de una pared o cerca, que es paralela al haz.
H	No monte el dispositivo donde un rayo infrarrojo de otro modelo puede llegar al receptor.

Importante: Instale completamente todos los componentes del detector para cumplir los requisitos del estándar IP65.

Directrices adicionales

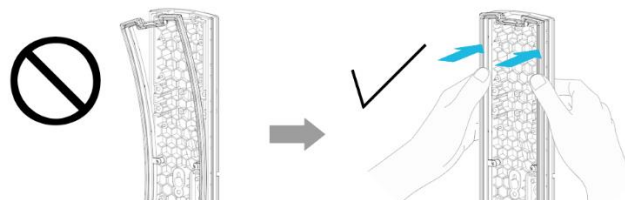
- Evite que los cables queden atrapados entre el chasis y la caja posterior al montar este dispositivo.
- Si abre accidentalmente un orificio ciego innecesario, asegúrese de rellenarlo. De lo contrario, puede provocar un fallo de estanqueidad y un mal funcionamiento del producto. Utilice un sellador de silicona o una masilla de plástico. No utilice siloxano, ya que puede corroer la placa de circuitos. Un sellador con menos del 0,1% de siloxano resulta aceptable.
- No toque ni mueva la unidad óptica al montar la tapa. Esto puede desplazar el eje óptico y requerir un reajuste.
- Evite montar el transmisor y el receptor en un ángulo de 45 ° como se muestra a continuación. Esto reduce el rango de detección en un 50%.

Figura 10. Rango de detección reducido



- Asegúrese de que la envoltura impermeable esté colocado antes del montaje para preservar la clasificación IP del dispositivo.

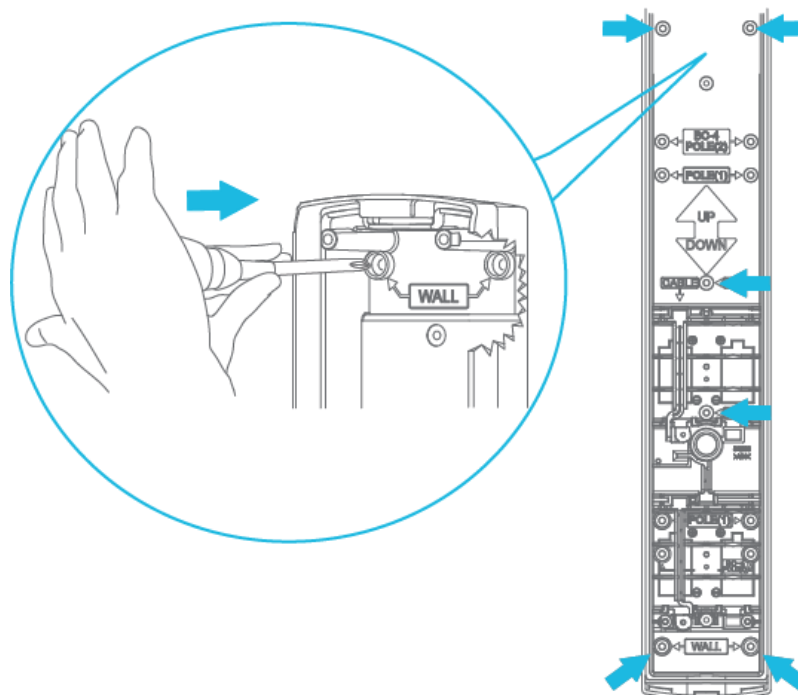
Figura 11. Colocación de la envoltura impermeable



Montaje en una pared

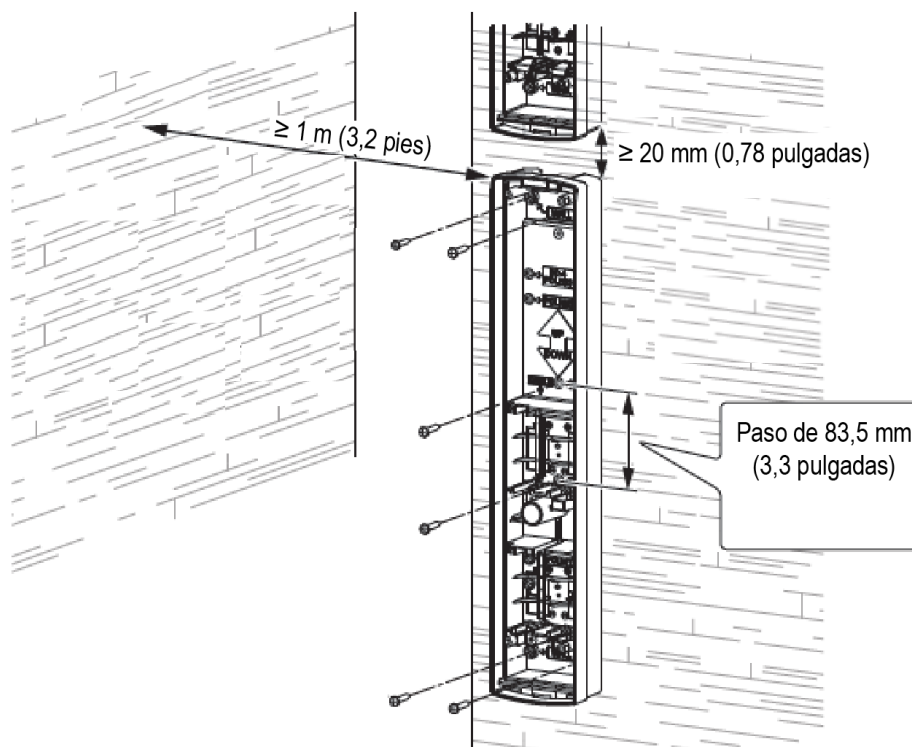
1. Use un destornillador o una herramienta similar, para romper los orificios ciegos de la caja posterior. Las posiciones de los orificios ciegos están marcadas como **WALL**.

Figura 12. Preparación de la caja posterior para el montaje



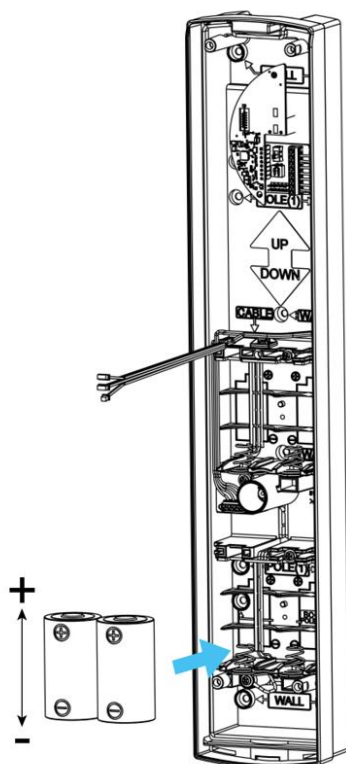
2. Monte la caja posterior en la pared utilizando tornillos 4x20. Si se instalan dos detectores, la distancia entre el detector superior y el inferior debe ser de al menos 20 mm (0,78"). Si el montaje se realiza en una esquina, asegúrese de que la distancia a la pared lateral sea de al menos 1 m (3,2 pies). Utilice un paso de 83,5 mm (3,3 pulg.) cuando se conecte a una caja eléctrica simple.

Figura 13. Montaje de la caja posterior



3. Coloque dos baterías en el hueco para las baterías de la caja posterior y sitúe el interruptor del módulo RF en la posición ON.

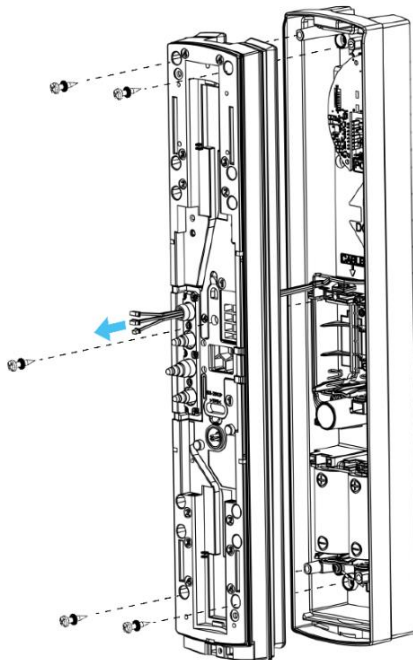
Figura 14. Colocación de las baterías



4. Pase el cable por el chasis y apriete los tornillos. Apriete los tornillos en este orden:
 - a. Centro
 - b. Superior izquierdo
 - c. Inferior izquierdo
 - d. Superior derecho
 - e. Inferior derecho

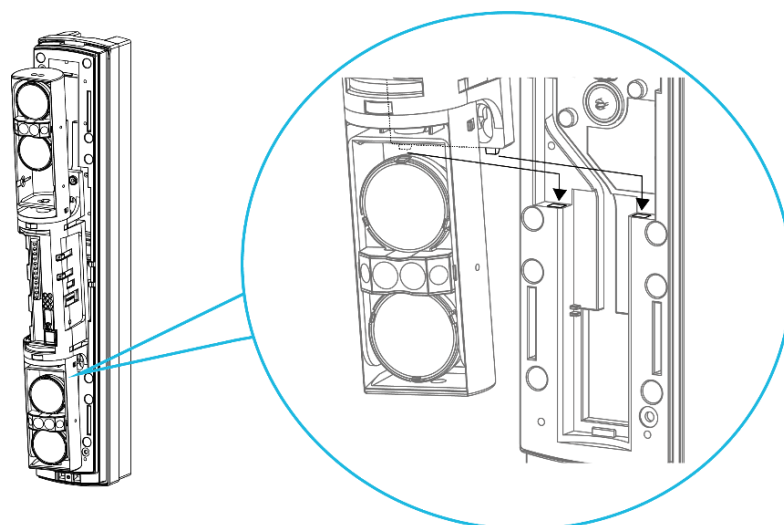
Precaución: Apriete completamente los tornillos con un par de 1,0 - 1,5 N m. De lo contrario, puede provocar un mal funcionamiento del interruptor de seguridad de pared.

Figura 15. Fijación del chasis



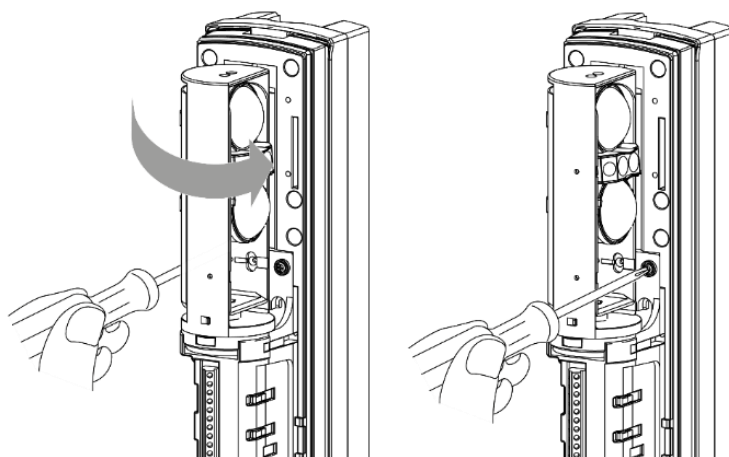
5. Introduzca la parte inferior de la unidad principal y empuje hacia abajo para fijarla en el chasis.

Figura 16. Inserción de la unidad principal



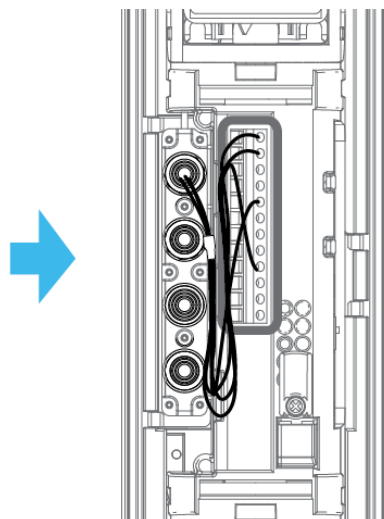
6. Gire la unidad óptica 90 grados y apriete los tornillos de ambos lados.

Figura 17. Ajuste de la unidad óptica

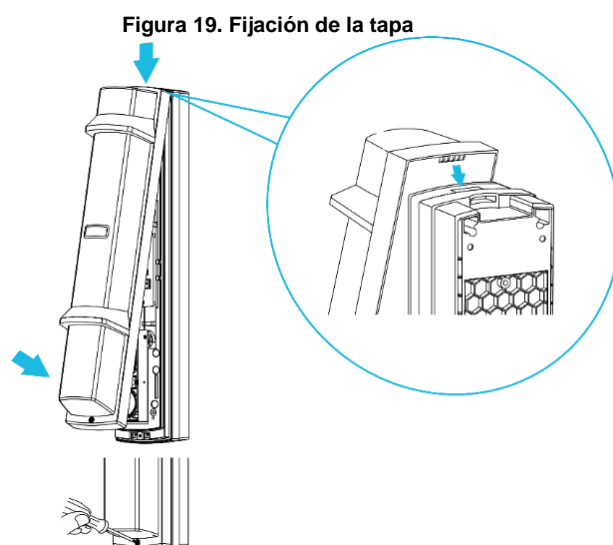


7. Coloque los cables detrás de los conos de goma azules para evitar que se enganchen bajo la cubierta principal.

Figura 18. Fijación de los cables



- Para cerrar la tapa, enganche la tapa en la parte superior del chasis y empuje la parte inferior de la tapa hasta que encaje en su posición.

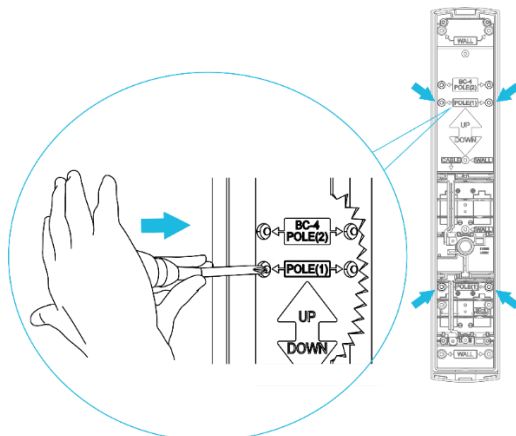


- Apriete el tornillo de bloqueo de la tapa.
- Empuje la parte central de la tapa para ocultar completamente la etiqueta naranja cuando esté en funcionamiento.

Montaje en un poste

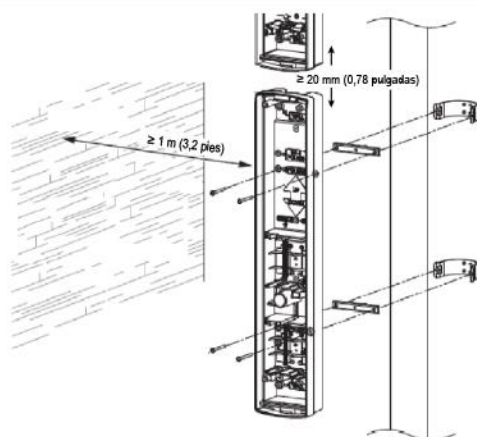
1. Use un destornillador o una herramienta similar, para romper los orificios ciegos marcados como **POLE(1)** en la caja posterior.

Figura 20. Preparación de la caja posterior para el montaje



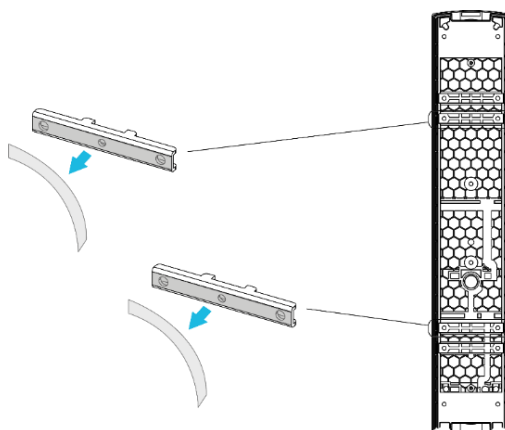
2. Monte la caja posterior en el poste utilizando tornillos M4x30. Si se instalan dos detectores en vertical, la distancia entre el detector superior y el inferior debe ser de al menos 20 mm (0,78"). Si el montaje se realiza en una esquina, asegúrese de que la distancia a la pared lateral sea de al menos 1 m (3,2 pies)

Figura 21. Montaje de la caja posterior



3. Coloque cintas de doble cara en los soportes de montaje del poste para facilitar el montaje.

Figura 22. Preparación de los soportes de montaje

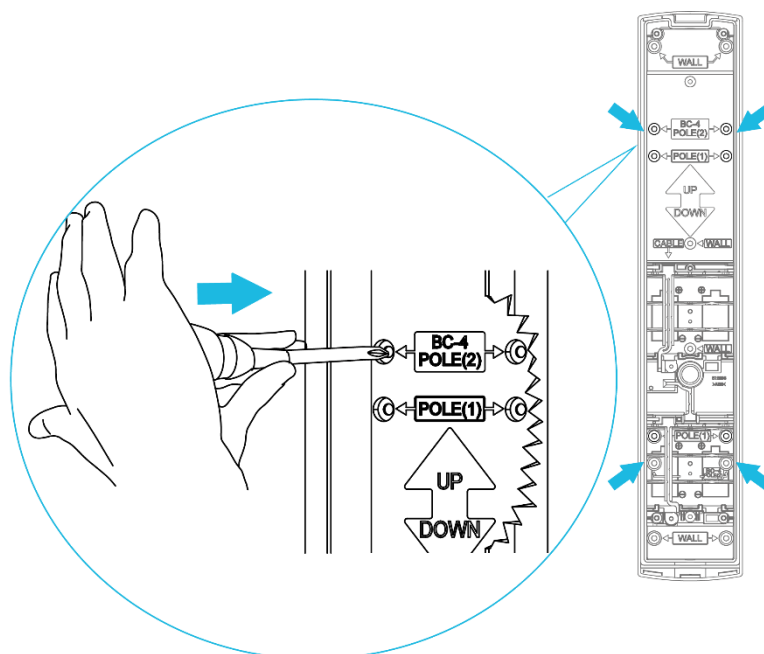


4. Complete los pasos de 3 a 10 de la sección *Montaje en una pared*.

Montar un segundo detector en dirección opuesta en un poste

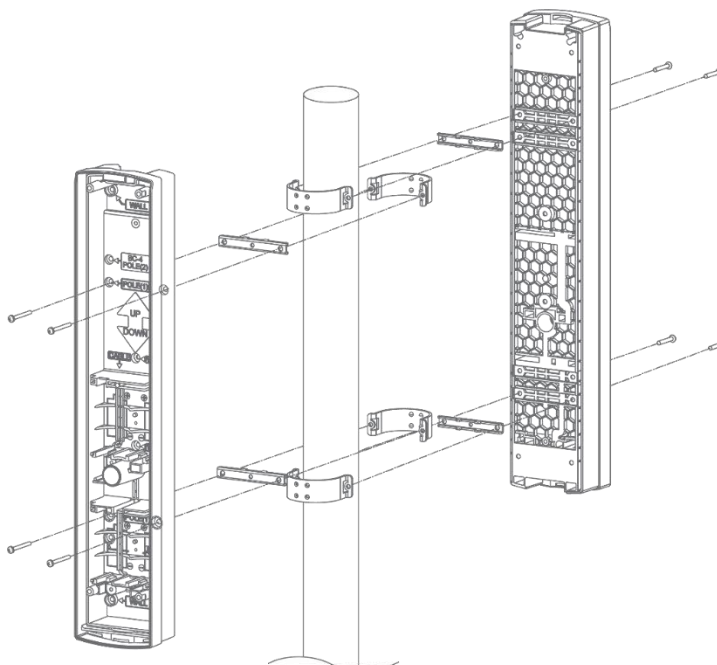
1. Use un destornillador o una herramienta similar, para romper los orificios ciegos marcados como **POLE(2)** en la caja posterior.

Figura 23. Preparación de la caja posterior para el montaje



2. Monte las cajas posteriores en el poste utilizando tornillos M4x30. Coloque cintas de doble cara en los soportes de montaje del poste para facilitar el montaje del dispositivo con los soportes.

Figura 24. Montaje de las cajas posteriores



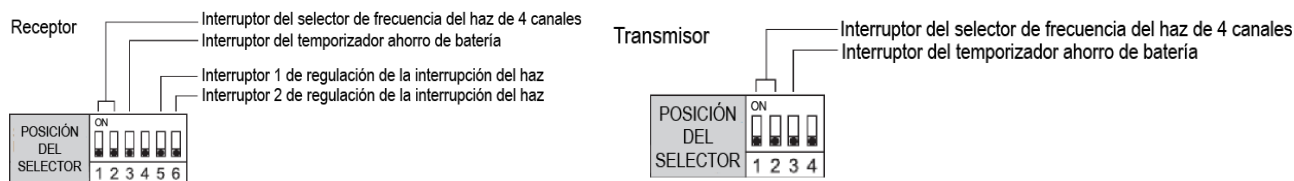
3. Complete los pasos de 3 a 10 de la sección *Montaje en una pared*.

Ajustes del dispositivo

Advertencia: No cambie los ajustes predeterminados salvo para el temporizador ahorro de batería. Consulte *Temporizador ahorro de batería* para obtener más información. Cambiar otros ajustes predeterminados puede provocar el funcionamiento incorrecto del dispositivo y el aumento de posibilidades de fallos o falsas alarmas.

Funciones del interruptor

Figura 25. Funciones del interruptor



Receptor

- 1 y 2: Interruptores del selector de frecuencia del haz de 4 canales
- 3: Interruptor del temporizador ahorro de batería
- 4: No se utiliza. Deje este interruptor en la posición OFF.
- 5: Interruptor 1 de regulación de la interrupción del haz
- 6: Interruptor 2 de regulación de la interrupción del haz

Transmisor

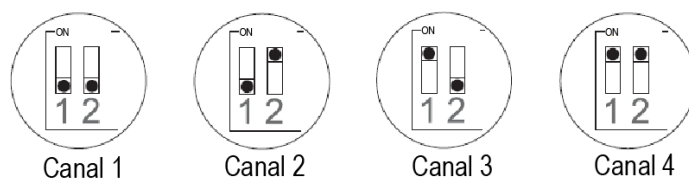
- 1 y 2: Interruptores del selector de frecuencia del haz de 4 canales
- 3: Interruptor del temporizador ahorro de batería
- 4: No se utiliza. Deje este interruptor en la posición OFF

Ajuste del selector de frecuencia del haz de 4 canales

El selector de frecuencia del haz de 4 canales sirve para evitar interferencias indeseadas, que pueden producirse al usar múltiples detectores fotoeléctricos para distancias largas o aplicaciones de apilado de haces.

1. Utilice el par de interruptores para seleccionar entre 4 frecuencias de haz separadas.

Figura 26. Ajuste del selector de frecuencia del haz de 4 canales

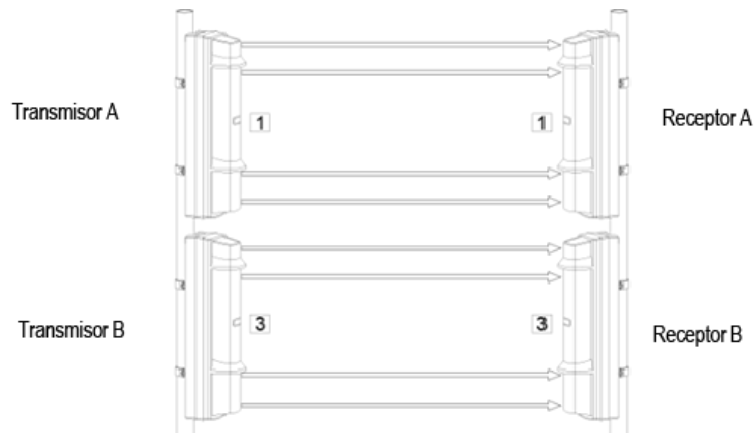


2. Asegúrese de que el receptor y el transmisor, que se miran entre sí, estén ajustados para la misma frecuencia.

Ejemplos de instalación

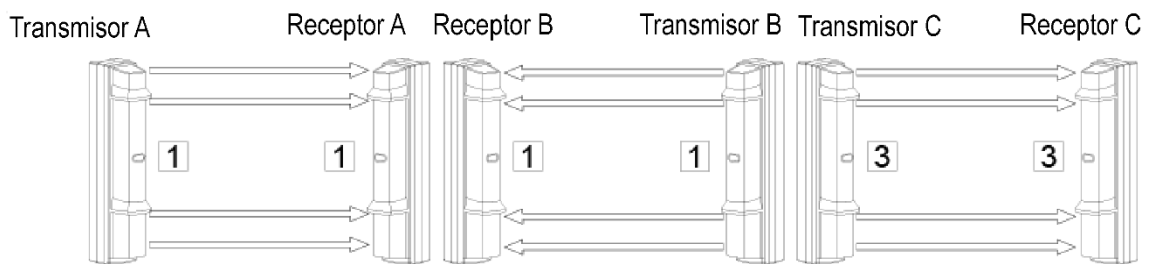
- a. Protección de doble apilado. Como el receptor B puede recibir el haz infrarrojo procedente del transmisor A, seleccione las frecuencias como se muestra en la figura. En la figura, cada número del cuadrado indica el canal.

Figura 27. Protección de doble apilado



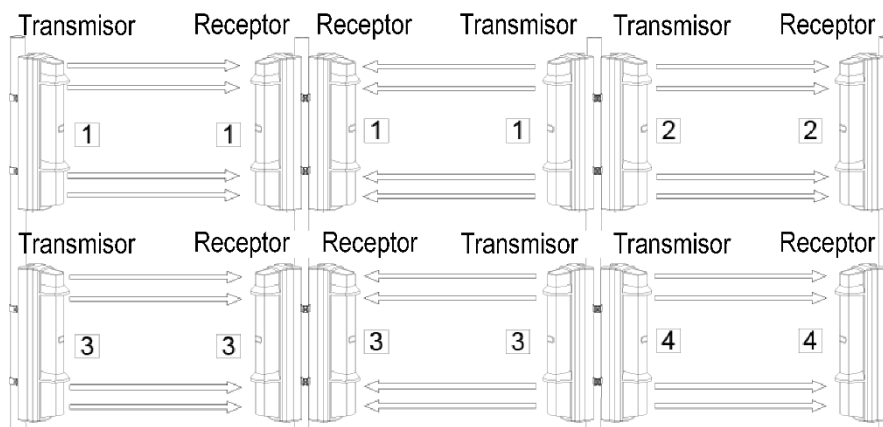
- b. Protección de larga distancia. Como el receptor C puede recibir el haz infrarrojo procedente del transmisor A, seleccione las frecuencias como se muestra en la figura.

Figura 28. Protección de larga distancia



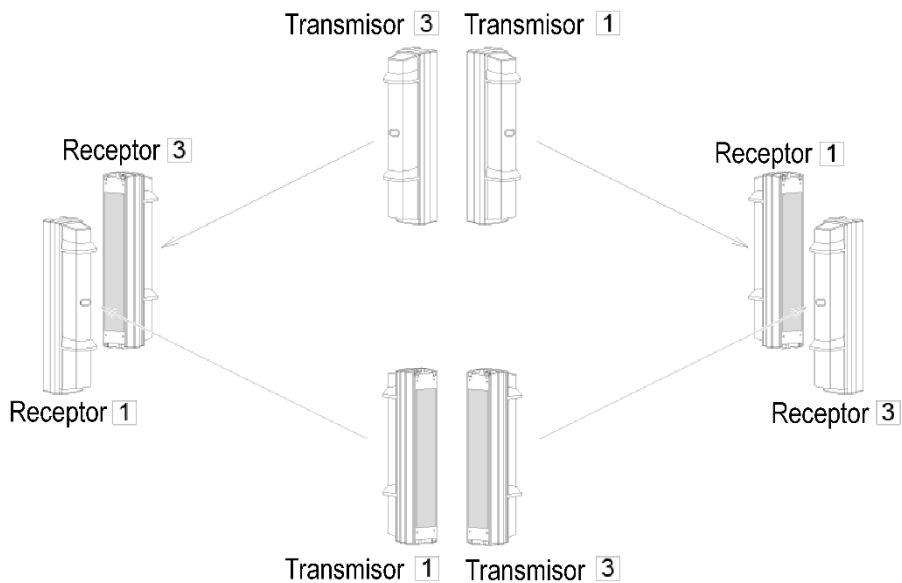
- c. Protección de larga distancia de doble apilado. No se permiten aplicaciones de doble apilado. Conmute siempre los canales de dos frecuencia por separado cuando haya dispositivos de apilado sobre otros. Por ejemplo: ajuste el dispositivo superior en el canal 1 y el dispositivo inferior en el canal 3, o los canales 2 y 4 respectivamente.

Figura 29. Protección de larga distancia de doble apilado



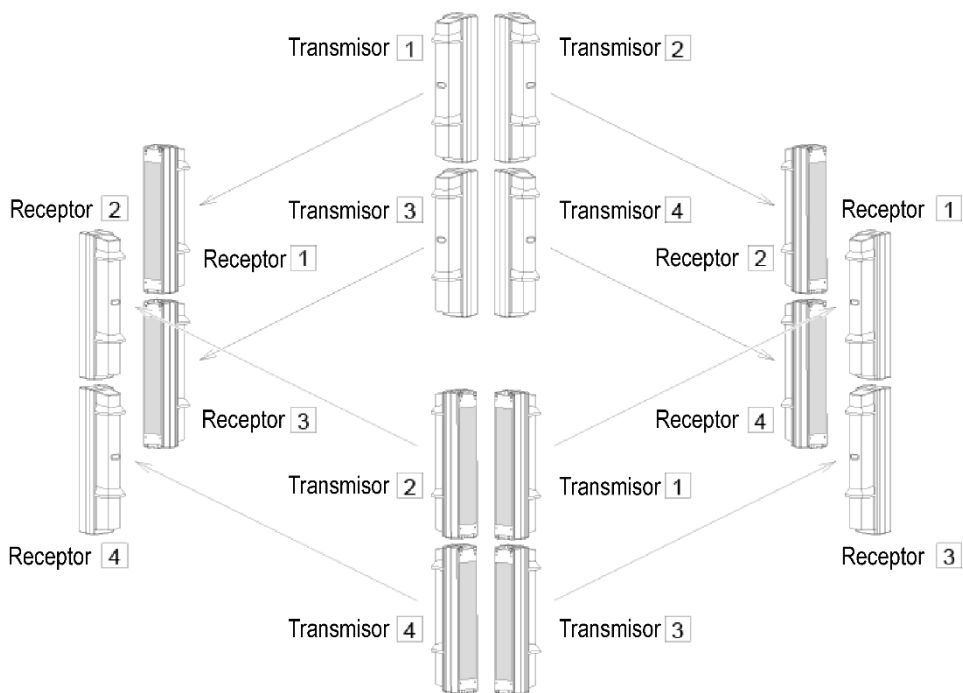
d. Protección perimetral.

Figura 30. Protección perimetral.



e. Protección perimetral en una configuración de dos pilas.

Figura 31. Protección perimetral en una configuración de dos pilas



Advertencia:

- No intente instalar este producto con otros detectores fotoeléctricos. Ya que puede causar el fallo del detector o una falsa alarma.

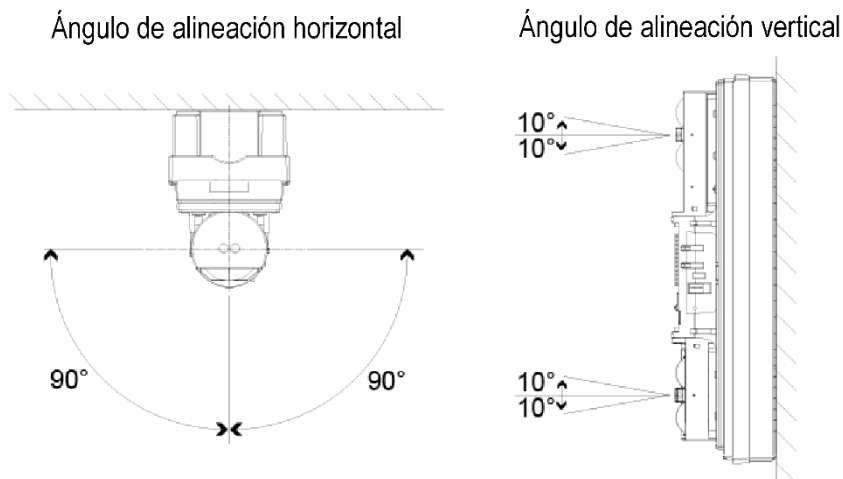
Alineación óptica

Tras el montaje, realice una alineación óptica para asegurarse de que el dispositivo funcione en un modo fiable.

Precaución: No toque la lente durante el ajuste óptico.

Ángulos de alineación

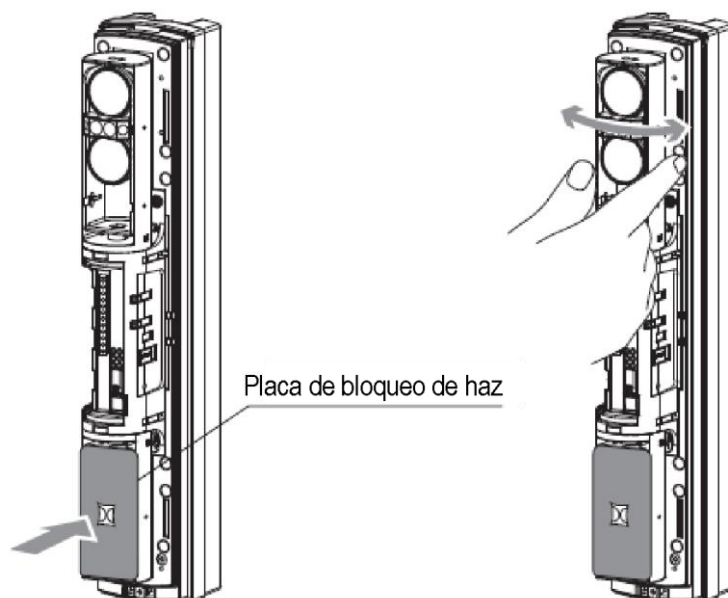
Figura 32. Ángulos de alineación



Alineación del dispositivo

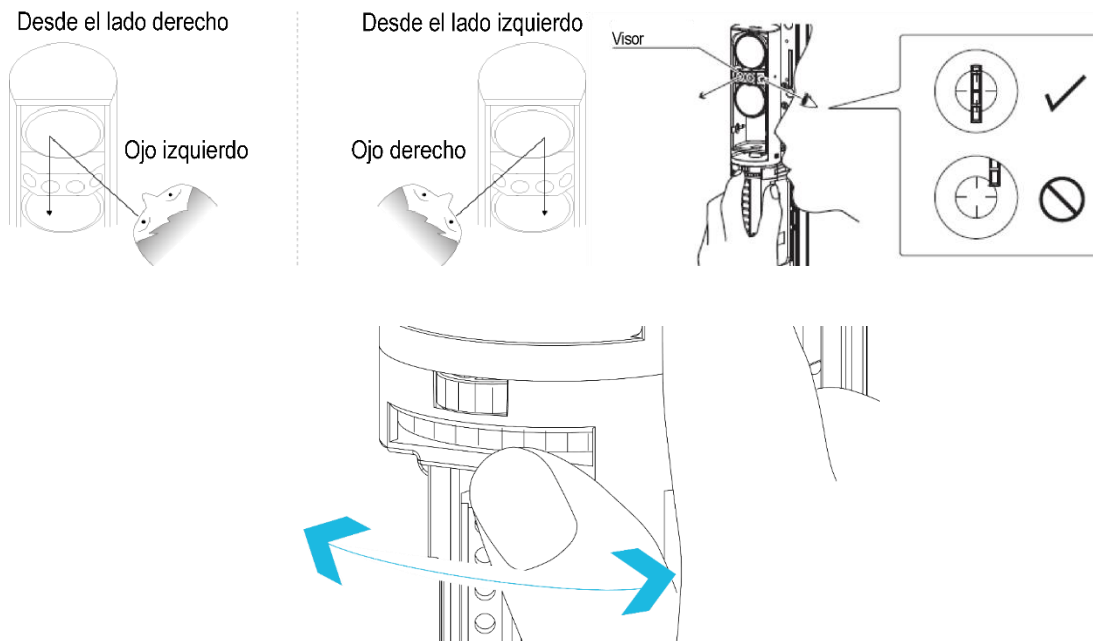
1. Realice una alineación aproximada del ángulo horizontal.
 - a. Monte una placa de bloqueo del haz en la unidad inferior y luego comience la alineación óptica desde la unidad superior. La placa de bloqueo del haz se fija en la parte posterior de la tapa.
 - b. Vuelva a colocar la placa de bloqueo del haz en la tapa después de su uso.

Figura 33. Realización de una alineación aproximada



- Mire por el visor y realice una alineación fina de los ángulos horizontales y verticales mediante los diales de alineación. Gire el dial pequeño para la alineación horizontal. Gire el dial grande para la alineación vertical.

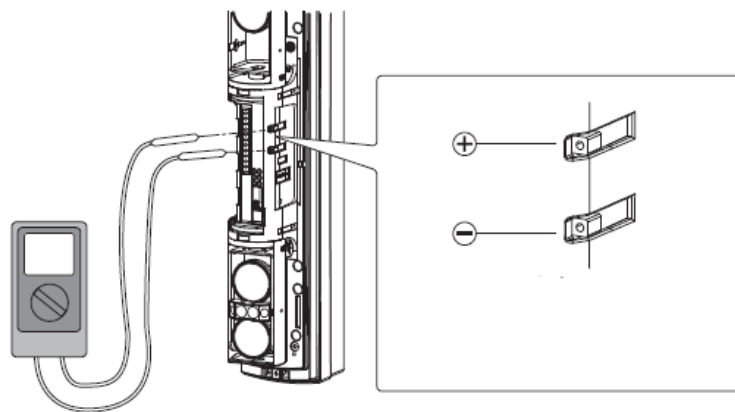
Figura 34. Realización de una alineación precisa



Advertencia: No mire por el visor en condiciones de luz intensa, como la luz del sol.

- Después de realizar la alineación con el visor, realice el ajuste con el voltímetro para que la alineación óptica sea más precisa.
 - Ajuste el rango del voltímetro entre 5 y 10 V CC.
 - Inserte la clavija positiva del voltímetro en el terminal positivo de la toma del monitor, y la clavija negativa, en el terminal negativo.
 - Intente conseguir un nivel de salida de monitorización "Excelente", es decir, 2,8 V o más.

Figura 35. Ajuste de la alineación con el voltímetro



- Regule los ángulos horizontal y vertical, mientras que controla el LED indicador de nivel en el receptor de emparejamiento.

LED indicador de nivel	Haz interrumpido	Haz recibido				
	ENCENDIDO (rojo)	Parpadeo rápido	Parpadeo lento	APAGADO		
Nivel de ajuste	Reajustar el ángulo			Suficiente	Bien	Excelente
Salida toma del monitor	0 V			> 1,0 V	> 2,4 V	> 2,8 V

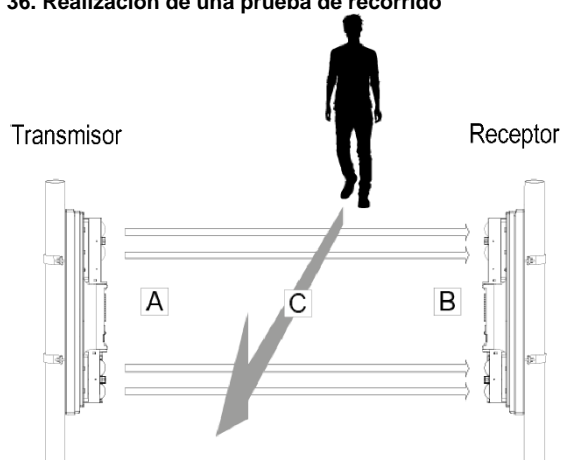
Nota: Los LED indicadores de alarma y de nivel son herramientas de asistencia para facilitar la alineación. Realice siempre una alineación precisa con la toma del monitor para asegurar el máximo nivel de salida.

Prueba del dispositivo

Tras haber acabado la instalación, complete los siguientes pasos para probar que el dispositivo funcione correctamente:

1. Asegúrese de que el LED indicador de alarma esté apagado. Si el LED está encendido con los haces no bloqueados, realice de nuevo los pasos indicados en la sección *Alineación óptica*.
2. Asegúrese de que los LED indicadores de batería baja estén apagados en el transmisor y el receptor. Si el LED indicador de la batería parpadea, sustituya las baterías del dispositivo.
3. Realice una prueba de recorrido para comprobar que el LED indicador de alarma del receptor se encienda cuando la persona que realiza el recorrido interrumpe los haces. Realice una prueba de recorrido en los tres puntos siguientes:
 - R: Delante del transmisor
 - B: Delante del receptor
 - C: En el punto medio entre el transmisor y el receptor

Figura 36. Realización de una prueba de recorrido



4. **Opcional:** Si lo utiliza, active el temporizador de ahorro de batería después de completar la prueba de recorrido. Consulte Temporizador ahorro de batería.

El detector funciona correctamente cuando el LED indicador de alarma se enciende en los tres puntos

Indicaciones del LED

La tabla siguiente describe el significado de las indicaciones del LED del dispositivo.

	Detección (interrupción del haz)	Normal	Potencia baja de la batería
Alarma (receptor)	ENCENDIDO	APAGADO	—
Alimentación (transmisor)	ENCENDIDO	ENCENDIDO	—
Batería baja (receptor y transmisor)	—	—	Parpadeo

Temporizador ahorro de batería

Active el temporizador ahorro de batería tras la instalación para evitar un consumo extra de batería y eventos de alarmas múltiples. La activación del temporizador ahorro de batería configura un periodo de tiempo, que empieza cuando el detector detecta y transmite un evento. Solamente se transmite un evento durante este periodo y los otros eventos sucesivos no se transmiten hasta que dicho periodo finaliza. Consulte los ajustes de los interruptores DIP del periodo de ahorro de la batería en *Ajustes opcionales*.

Notas:

- Desactive el temporizador de ahorro de batería para probar efectivamente el dispositivo.
- Si se instala en una pared o en un poste, asegúrese de que la tapa esté bien sujeta a la unidad principal.

Ajustes opcionales

Advertencia: No cambie la configuración predeterminada. Cambiar otros ajustes predeterminados puede provocar el funcionamiento incorrecto del dispositivo y el aumento de posibilidades de fallos o falsas alarmas.

Interruptor DIP y ajustes de salida

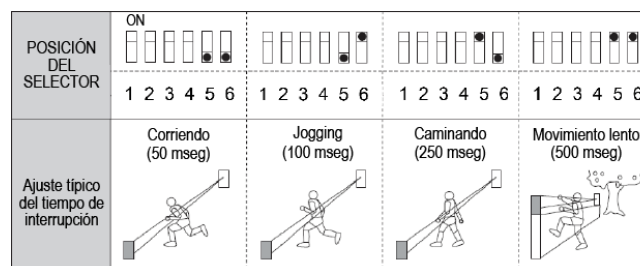
Figura 37. Interruptor DIP y ajustes de salida



Regulación del tiempo de interrupción del haz

Puede determinar los ajustes del tiempo de interrupción del haz para el objetivo previsto para los detectores usando una de las cuatro posiciones siguientes del selector. El ajuste predeterminado es 50 ms.

Figura 38. Regulación del tiempo de interrupción del haz



Salida D.Q. (descalificación ambiental)

La función salida D.Q. detecta cuando la intensidad del haz desciende por debajo de niveles aceptables debido a factores ambientales, como son la lluvia, la nieve o la niebla. Si la intensidad del haz es baja más de 20 segundos debido a estas condiciones, se genera una señal de salida D.Q. La señal vuelve a la normalidad cuando la intensidad del haz está en niveles aceptables durante más de 2 segundos.

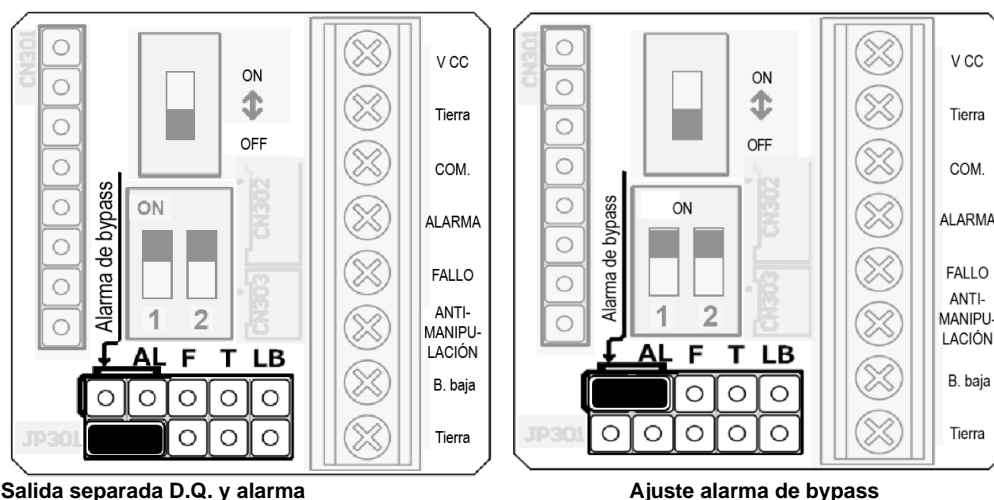
Nota: La salida D.Q. no es evaluada por UL.

La señal de la salida D.Q. puede configurarse para uno de los siguientes usos:

- **Salida separada:** Avisa al usuario de que el detector no funciona eficazmente debido a las condiciones meteorológicas.
- **Alarma de bypass:** Desvía la alarma cuando la salida D.Q. es activada por condiciones meteorológicas adversas.

Puede configurar otra opción con los siguientes ajustes del pin del puente en el cuadro de la interfaz del receptor:

Figura 39. Cuadro de la interfaz del receptor



Salida separada D.Q. y alarma

Ajuste alarma de bypass

Solución de problemas

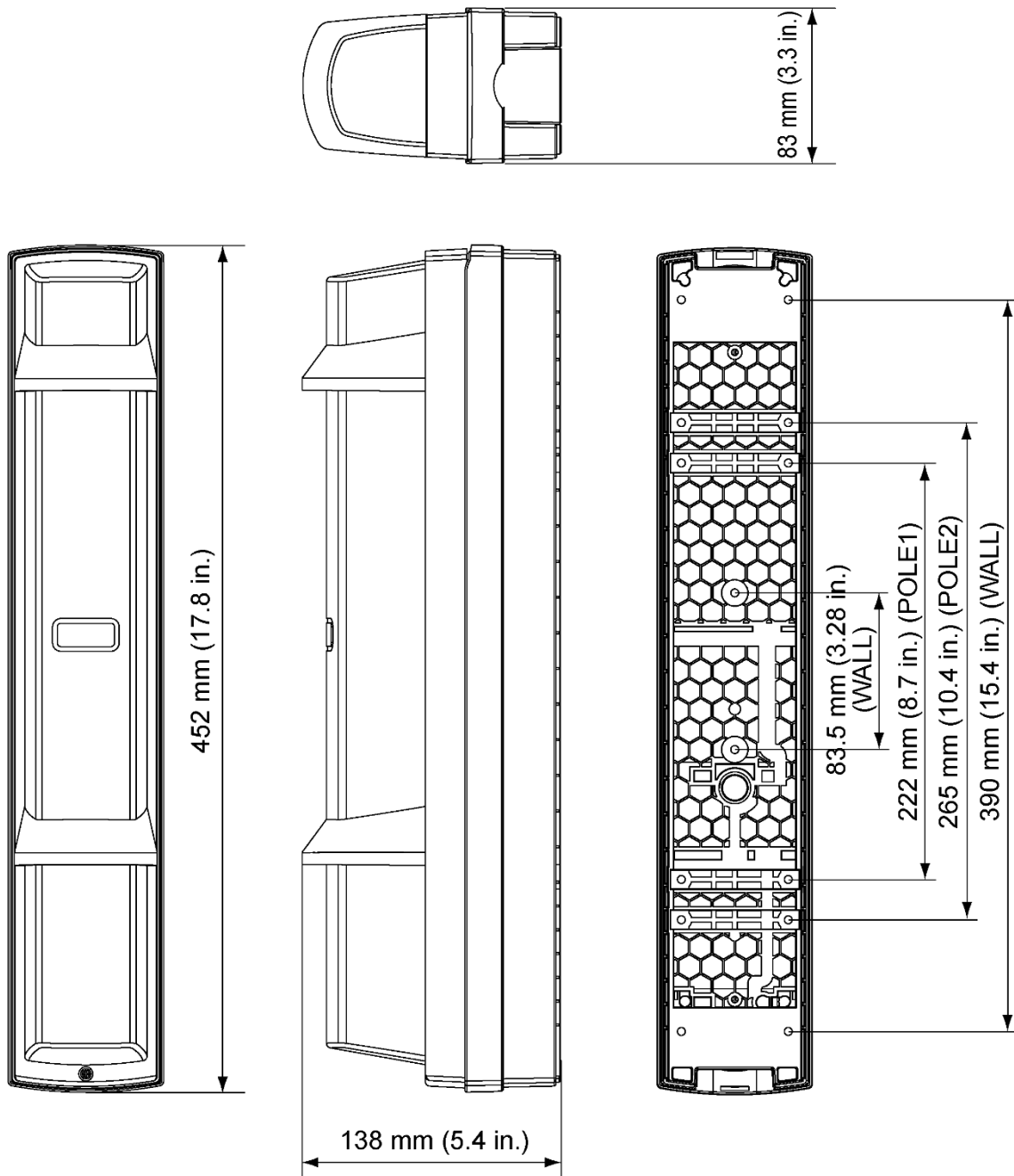
Problema	Causas posibles	Medidas correctoras
Los LED no están iluminados (transmisor o receptor)	Polaridad de la batería invertida	Compruebe la polaridad de la batería
Indicador de batería baja parpadea aunque la batería se haya insertado (transmisor o receptor)	Potencia baja de la batería	Sustituya las baterías
La alarma no se activa	Reflejo del suelo o de la pared.	Alinee los haces lejos del suelo o la pared.
	El haz no se ha bloqueado.	Bloquee los cuatro haces.
La alarma se activa de forma consistente	Los canales del transmisor y el receptor son diferentes.	Ajuste el mismo canal para el transmisor y el receptor
	Detector fotoeléctrico múltiple para larga distancia o aplicaciones de apilamiento de haces.	Ajuste los canales 1-3 o 2-4 o 1-4.
	La alineación óptica no se realizó de forma adecuada.	Consulte <i>Alineación óptica</i> .
Las baterías pierden su carga demasiado rápido	El sistema antimanipulación no está cerrado	Coloque la tapa de la placa de bloqueo del sistema antimanipulación correctamente.
La escarcha, la nieve o las lluvias intensas provocan falsas alarmas.	La alineación óptica no se ha optimizado	Consulte <i>Alineación óptica</i> .
	Salida DQ no habilitada	Consulte <i>Opcional: Salida D.Q.</i>
El interruptor de seguridad de la pared no se activa.	Los tornillos entre el chasis y la caja posterior están flojos.	Apriete los tornillos.
	La envoltura impermeable de la caja posterior no está fijada.	Retire el chasis de la caja posterior y fije la envoltura impermeable al chasis correctamente.

Sustitución de las baterías

Cuando cambie las baterías, retire todas las baterías antes de colocar las nuevas. Esto garantiza que el LED indicador de batería baja se reinicie.

Dimensiones

Figura 40. Dimensiones



Especificaciones

GENERAL

Rango de detección máximo: 100 m/ 350 pies

Método de detección: Detección de interrupción del haz infrarrojo cuádruple

Frecuencia del haz seleccionable: 4 canales

Tiempo de interrupción: Variable entre 50, 100, 250 y 500 ms

Fuente de alimentación Recomendada: baterías de litio de 3,6 V, 13,0 Ah LSH20 fabricadas por SAFT.

Consumo de corriente: 745 µA. Transmisor: 420 µA + Receptor: 325 µA (a 25 °C, 3,6 V CC)*

Duración de la batería: Transmisor: Aproximadamente 4 años. Receptor: Unos 5 años**

Temperatura de funcionamiento: -20 a +60 °C (-4 a 140 °F)

Humedad de funcionamiento 95% (máx.)

Ángulo de alineación: ±90° Horizontal, ±10° Vertical

Dimensiones: Alto x Ancho x Fondo en mm (pulgadas): 452 (17,9) x 83 (3,3) x 138 (5,4)

Peso: 3300 g, incluye el peso total de transmisor + receptor, sin incluir los accesorios

Protección internacional: IP65

Frecuencia de transmisión de supervisión: 912-919 MHz, intervalos de 128/256 segundos

INDICADOR

Indicador de alarma (Receptor): Alarma: ENCENDIDO Recepción de luz: APAGADO

Indicador de nivel (receptor): No se recibe ningún haz: ENCENDIDO. Recepción de haz: Parpadeo o APAGADO

Indicador de alimentación (transmisor): Alimentación ENCENDIDA: ENCENDIDO. Alimentación APAGADA: APAGADO

Indicador de batería baja: Reducción de la tensión: Parpadeo

Las especificaciones y el diseño están sujetos a cambio sin aviso previo.

* El valor se basa en la condición de que se utilice dentro del rango de temperatura ambiente de 20 a 25 °C. (LSH-20 x 2 unidades)

** La especificación de la duración de la batería se aplica solo cuando se utilizan las baterías recomendadas.

Consulte *Pedido de las baterías del detector*. El uso de otros tipos de baterías puede afectar a la expectativa de duración de la batería o a las prestaciones del producto.

Nota: Estos dispositivos están diseñados para detectar un intruso y activar un panel de control de alarmas; forman parte de un sistema completo, por lo que el fabricante no puede aceptar la responsabilidad de los daños u otras consecuencias resultantes de una intrusión.

Cumplimiento de normativas

EE.UU.: Parte 15 FCC- CFR 47
UL Resi/Com Burg: UL639



Canadá: IC RSS – 247
ULC Resi/Com Burg ULC-S306

Este dispositivo cumple la parte 15 de las normas FCC y la licencia de la industria Canadá salvo el(los) estándar(es) RSS. El funcionamiento está sujeto a las dos condiciones siguientes: (1) Este dispositivo no puede causar interferencias perjudiciales, y (2) este dispositivo puede recibir interferencias, incluidas aquellas interferencias que pueden causar un funcionamiento indeseado.

Para cumplir la sección 1.1310 de FCC sobre la exposición humana a campos electromagnético de radiofrecuencia y los requisitos IC, implemente la siguiente instrucción: Durante el funcionamiento del equipo, se debe mantener una distancia mínima de 20 cm entre el equipo y todas las personas.

NOTA: Este equipo ha sido probado y se ha demostrado que cumple con los límites de un dispositivo digital de Clase B, de conformidad con el apartado 15 de las normas de la FCC. Estos límites están ideados para brindar una protección razonable frente a interferencias perjudiciales en instalaciones domésticas. Este equipo genera, utiliza y puede irradiar energía de radiofrecuencia y, si no se instala y utiliza de acuerdo con las instrucciones, puede causar interferencias perjudiciales en las comunicaciones de radio. Sin embargo, no hay garantía de que no se vaya a producir interferencia en una instalación en específico. Si este equipo provoca interferencias perjudiciales para la recepción de radio o televisión, lo cual se puede comprobar apagando y encendiendo el equipo, se recomienda que el usuario intente corregir la interferencia adoptando una o varias de las siguientes medidas: cambie la orientación o la ubicación de la antena receptora, aumente la distancia entre el equipo y el receptor, conecte el equipo a una toma de un circuito distinto al que está conectado el receptor y solicite ayuda al distribuidor o a un técnico de radio/TV experimentado.

- Este aparato digital de Clase B se ajusta a la normativa canadiense ICES-003.

¡ADVERTENCIA! Los cambios o las modificaciones, aportados a esta unidad sin estar aprobados expresamente por el responsable para la conformidad, podrían invalidar la autoridad del usuario para usar el equipo.

Notas UL/ULC

Cada modelo PG9350SL, que funciona en la banda de frecuencias 912-919MHz está certificado UL/ULC. El PG9350SL ha sido certificado por UL para aplicaciones contra robos comerciales residenciales y por ULC para aplicaciones contra robos residenciales según los requisitos establecidos en las normas UL 639 y ULC-S306 para las unidades de detección de intrusiones.

Para las instalaciones certificadas UL/ULC, use estos dispositivos solo conjuntamente con los receptores inalámbricos DSC compatibles: HSM2HOST9, HS2LCDRF(P)9, HS2ICNRF(P) 9, PG9920, PowerSeries NEO (v1.37 y superiores), PowerSeries Pro (v1.31 y superiores), IQPanel2 (v2.6 y superiores), IQHub (v3.0 y superiores), IQPanel4 (v4.0 y superiores).

DECLARACIÓN DE CONFORMIDAD FCC

¡ADVERTENCIA! Los cambios o las modificaciones, aportados a esta unidad sin estar aprobados expresamente por el responsable para la conformidad, podrían invalidar la autoridad del usuario para usar el equipo.

Este dispositivo ha sido sometido a pruebas y resulta conforme con los límites establecidos para un dispositivo digital de Clase B, según la parte 15 de las normas FCC. Dichos límites están diseñados para proporcionar una protección razonable contra interferencias perjudiciales en instalaciones residenciales. Este equipo genera, utiliza y puede irradiar energía de radiofrecuencia y, si no se instala y utiliza de acuerdo con las instrucciones, puede causar interferencias perjudiciales en la recepción de radio y televisión. Sin embargo, no hay garantía de que no se vaya a producir interferencia en una instalación en específico. Si este dispositivo provoca interferencias perjudiciales, lo cual se puede comprobar apagando y encendiendo el dispositivo, se recomienda que el usuario intente eliminar la interferencia adoptando una o varias de las siguientes medidas:

- Reoriente o reubique la antena receptora.
- Aumente la distancia entre el equipo y el receptor.
- Conecte el dispositivo a una toma de corriente en un circuito diferente al que suministra alimentación al receptor.
- Solicite ayuda al distribuidor o a un técnico de radio/TV experimentado.

ID DE LA FCC: F5321PG9350SL

Declaración de Innovation Science and Economic Development Canada (ISED)

Este equipo cumple con los límites de exposición a radiaciones RF de la FCC e ISED de Canadá establecidos para un entorno no controlado.

Este dispositivo cumple con la Parte 15 de las Reglamentaciones FCC y con las normas RSS del sector exentas de licencia de ISED de Canadá. El funcionamiento está sujeto a las dos condiciones siguientes:

(1) Este dispositivo no debe causar interferencia peligrosa; y (2) este dispositivo debe aceptar cualquier interferencia que pueda recibir o que pueda causar un funcionamiento no deseado.

Para cumplir con la Sección 1.1310 de FCC de exposición de personas a campos electromagnéticos de radiofrecuencia y requisitos IC, implementar la siguiente instrucción: Durante el funcionamiento del equipo, se debe mantener una distancia mínima de 20 cm entre el equipo y todas las personas.

IC: 160A-PG9350SL

Las siglas IC, que preceden al número de certificación de seguridad radioeléctrica, simplemente señalan que se cumplen las especificaciones técnicas industriales de Canadá. Este aparato digital de Clase B se ajusta a la normativa canadiense ICES-003. Este dispositivo cumple la RSS-247 industrial de Canadá. El funcionamiento está sujeto a las dos condiciones siguientes: (1) este dispositivo no debe causar interferencias y (2) este dispositivo debe aceptar cualquier interferencia, incluyendo aquellas que puedan provocar un funcionamiento no deseado del dispositivo.

Garantía limitada

Digital Security Controls garantiza que, durante un periodo de 12 meses, desde la fecha de compra el producto no presentará defectos materiales o de mano de obra bajo condiciones de uso normal y que, en ejecución de cualquier infracción de dicha garantía, Digital Security Controls, a su juicio, reparará o sustituirá el equipo defectuoso tras el retorno del equipo a su almacén de reparación. Esta garantía es aplicable solamente para los defectos de partes y de mano de obra y no para los daños ocasionados durante el envío o la manipulación, o para daños derivados de otras causas fuera del control de Digital Security Controls, tales como rayos, tensión excesiva, choques mecánicos, daños causados por el agua, o daños derivados de descuidos, alteración o aplicación impropia del equipo.

La anterior garantía es aplicable solamente al comprador original y reemplaza cualquier otra garantía, aunque expresada o implicada y todas las otras obligaciones o responsabilidades por parte de Digital Security Controls. Digital Security Controls no asume la responsabilidad ni autoriza a personas que presuntamente actúan en su nombre a modificar o a cambiar esta garantía ni asume otra garantía o responsabilidad respecto de este productos.

En ningún caso, Digital Security Controls será responsable de daños directos, indirectos o derivados, de la pérdida de lucro cesante anticipado, de la pérdida de tiempo o de cualquier otra pérdida ocasionada al comprador en relación con la compra, la instalación o funcionamiento o fallo de este producto.

Advertencia: *Digital Security Controls recomienda probar el sistema completo de forma periódica. No obstante, a pesar de realizar pruebas periódicas, y debido a, pero también por otros motivos, la manipulación delictiva o por fallos eléctricos, es posible que este producto no ofrezca el rendimiento previsto.*

Información importante: *Los cambios o las modificaciones, no aprobados expresamente por Digital Security Controls, podrían invalidar la autoridad del usuario para usar el equipo.*

IMPORTANTE - LEA DETENIDAMENTE: El software DSC, adquirido con o sin productos y componentes, están protegido por derechos de autor y se adquiere bajo los siguientes términos de licencia:

- Este contrato de licencia de usuario final ("EULA") es un contrato legal entre usted (la empresa, persona física o la entidad que adquirió el software y el hardware relativo) y Digital Security Controls, una unidad de negocio de Tyco Safety Products Canada Ltd. ("DSC"), el fabricante de los sistemas de seguridad integrados y el desarrollador del software y de cualquier producto relacionado o componentes ("HARDWARE") que usted adquirió.
- Si se contempla que el producto software DSC ("PRODUCTO DE SOFTWARE" o "SOFTWARE") ha de ir acompañado por el HARDWARE, y NO va acompañado por un nuevo HARDWARE, no debe usar, copiar o instalar el PRODUCTO DE SOFTWARE. El PRODUCTO DE SOFTWARE incluye un software de PC y puede incluir medios asociados, materiales impresos, y documentación electrónica u "online".
- Cualquier software entregado con el PRODUCTO DE SOFTWARE asociado con un contrato de licencia de usuario final por separado le otorga una licencia bajo los términos de este contrato de licencia. • Al instalar, copiar, descargar, almacenar, acceder o usar de otro modo el PRODUCTO DE SOFTWARE PRODUCT, acepta sin condiciones quedar limitado a los términos de este EULA, aunque este EULA sea considerado una modificación de cualquier disposición

o contrato. Si no acepta los términos de este EULA, DSC no le otorgará la licencia del PRODUCTO DE SOFTWARE y no tendrá derecho a usarlo.

LICENCIA

El PRODUCTO DE SOFTWARE está protegido por las leyes de derechos de autor y los tratados internacionales de derechos de autor, así como por otras leyes y tratados de propiedad intelectual. El PRODUCTO DE SOFTWARE se otorga bajo licencia, no se vende.

1. CONCESIÓN DE LICENCIA: Este EULA le otorga los siguientes derechos:

(a) Instalación y uso del software - Por cada licencia que Usted adquiera, solo podrá tener instalada una copia del PRODUCTO DE SOFTWARE.

(b) Almacenamiento/Usó en Red - El PRODUCTO DE SOFTWARE no se puede instalar, acceder, visualizar, ejecutar, compartir o usar de forma concurrente en uno o desde diferentes ordenadores, incluyendo una estación de trabajo, terminal u otro dispositivo electrónico digital ("Dispositivo"). En otras palabras, si tiene varias estaciones de trabajo, tendrá que adquirir una licencia para cada estación de trabajo en la que se utilice el SOFTWARE.

(c) Copia de seguridad - Usted puede hacer copias de seguridad del PRODUCTO DE SOFTWARE, pero solo puede tener una copia por licencia instalada en cualquier momento. Puede utilizar la copia de seguridad únicamente con fines de archivo. Salvo lo dispuesto expresamente en este EULA, Usted no puede hacer copias del PRODUCTO DE SOFTWARE, incluyendo los materiales impresos que acompañan al SOFTWARE.

2. DESCRIPCIÓN DE OTROS DERECHOS Y LIMITACIONES

(a) Limitaciones a la ingeniería inversa, la descompilación y el desensamblaje - Usted no puede realizar ingeniería inversa, descompilar o desensamblar el PRODUCTO DE SOFTWARE, excepto y solo en la medida en que dicha actividad esté expresamente permitida por la ley aplicable, a pesar de esta limitación. No puede hacer ningún cambio ni modificación al Software, sin el permiso por escrito de un representante de DSC. Usted no puede eliminar ningún aviso, marca o etiqueta del propietario del Producto de Software. Deberá adoptar medidas razonables para garantizar el cumplimiento de los términos y condiciones de este EULA.

(b) Separación de componentes - El PRODUCTO DE SOFTWARE se licencia como un solo producto. Sus componentes no se pueden separar para ser utilizados en más de una unidad de HARDWARE.

(c) PRODUCTO INTEGRADO Único - Si adquirió este SOFTWARE con HARDWARE, entonces el PRODUCTO DE SOFTWARE se licencia con el HARDWARE como un producto integrado. En este caso, el PRODUCTO DE SOFTWARE solo se puede utilizar con el HARDWARE tal y como se establece en este EULA.

(d) Alquiler - Usted no puede alquilar, arrendar ni prestar el PRODUCTO DE SOFTWARE. No puede ponerlo a disposición de otros ni publicarlo en un servidor o sitio web.

(e) Transferencia del Producto de Software - Usted puede transferir todos sus derechos bajo este EULA solo como parte de una venta o transferencia permanente del HARDWARE, siempre que no conserve ninguna copia, que transfiera todo el PRODUCTO DE SOFTWARE (incluyendo todas las partes que lo componen, los medios y materiales impresos, cualquier actualización y este EULA), y siempre que el receptor acepte los términos de este EULA. Si el PRODUCTO DE SOFTWARE es una actualización, cualquier transferencia debe incluir también todas las versiones anteriores del PRODUCTO DE SOFTWARE.

(f) Terminación - Sin perjuicio de cualquier otro derecho, DSC puede terminar este EULA si Usted no cumple con los términos y condiciones de este EULA. En tal caso, debe destruir todas las copias del PRODUCTO DE SOFTWARE y todas sus partes componentes.

(g) Marcas comerciales - Este EULA no le otorga ningún derecho en relación con ninguna marca comercial o de servicio de DSC o de sus proveedores.

3. DERECHOS DE AUTOR

Todo derecho de propiedad y de propiedad intelectual sobre o hacia el PRODUCTO DE SOFTWARE (que incluye, entre otros, cualquier imagen, fotografía y texto incorporado en el PRODUCTO DE SOFTWARE), los materiales impresos adjuntos y cualquier copia del PRODUCTO DE SOFTWARE, son propiedad de DSC o de sus proveedores.

Usted no puede copiar los materiales impresos que se adjuntan al PRODUCTO DE SOFTWARE. Todo derecho de propiedad y de propiedad intelectual sobre o hacia los contenidos, a los cuales se puede acceder mediante el uso del PRODUCTO DE SOFTWARE, son propiedad del respectivo propietario del contenido y están protegidos por las leyes y tratados pertinentes de derecho de autor u otras leyes y tratados de propiedad intelectual. Este EULA no le otorga derecho alguno a usar dichos contenidos. Cualquier derecho que no se otorgue expresamente en virtud de este EULA está reservado por DSC y sus proveedores.

4. RESTRICCIONES A LA EXPORTACIÓN

Usted acepta que no exportará ni reexportará el PRODUCTO DE SOFTWARE a ningún país, persona o entidad sujeta a restricciones de exportación de Canadá.

5. ELECCIÓN DE JURISDICCIÓN

Este Acuerdo de Licencia de Software se rige por las leyes de la Provincia de Ontario, Canadá.

6. ARBITRAJE

Todas las disputas que surjan en relación con el presente Acuerdo se determinarán mediante un arbitraje definitivo y vinculante de acuerdo con la Ley de Arbitraje, y las partes aceptan quedar obligadas por la decisión de arbitraje. La sede del arbitraje será Toronto, Canadá, y el idioma del arbitraje será el inglés.

7. GARANTÍA LIMITADA

(a) NO HAY GARANTÍA - DSC PROPORCIONA EL SOFTWARE "TAL CUAL" SIN NINGUNA GARANTÍA. DSC NO GARANTIZA QUE EL SOFTWARE CUMPLE SUS REQUISITOS NI QUE EL FUNCIONAMIENTO DEL SOFTWARE NO SE INTERRUMPIRÁ O QUE ESTARÁ LIBRE DE ERRORES.

(b) CAMBIOS EN EL ENTORNO OPERATIVO - DSC no será responsable de los problemas causados por cambios en las características operativas del HARDWARE, o por problemas en la interacción del PRODUCTO DE SOFTWARE con productos que no sean SOFTWARE o HARDWARE de DSC.

(c) LIMITACIÓN DE LA RESPONSABILIDAD; LA GARANTÍA REFLEJA LA DISTRIBUCIÓN DEL RIESGO - EN CUALQUIER CASO, SI CUALQUIER LEY IMPLICA GARANTÍAS O CONDICIONES NO ESTABLECIDAS EN ESTE EULA, LA RESPONSABILIDAD TOTAL DE DSC EN VIRTUD DE ESTE CONTRATO DE LICENCIA SE LIMITARÁ AL MONTO QUE USTED PAGÓ REALMENTE PARA OBTENER BAJO LICENCIA EL PRODUCTO DE SOFTWARE Y CINCO DÓLARES CANADIENSES (CAD\$5.00). DEBIDO A QUE ALGUNAS JURISDICCIONES NO PERMITEN LA EXCLUSIÓN O LIMITACIÓN DE RESPONSABILIDAD POR DAÑOS EMERGENTES O CONTINGENTES, ES POSIBLE QUE LA LIMITACIÓN ANTERIOR NO SE APLIQUE A USTED.

(d) RENUNCIA A LAS GARANTÍAS - ESTA GARANTÍA CONTIENE LA GARANTÍA COMPLETA Y REEMPLAZA A CUALQUIER OTRA GARANTÍA, YA SEA EXPRESA O IMPLÍCITA (INCLUIDAS TODAS LAS GARANTÍAS IMPLÍCITAS DE COMERCIABILIDAD O IDONEIDAD PARA UN FIN DETERMINADO) Y DE TODAS LAS DEMÁS OBLIGACIONES O RESPONSABILIDADES POR PARTE DE DSC. DSC NO OFRECE NINGUNA OTRA GARANTÍA. DSC NO ASUME NI AUTORIZA A NINGUNA OTRA PERSONA QUE PRETENDA ACTUAR EN SU NOMBRE PARA MODIFICAR O CAMBIAR ESTA GARANTÍA, NI PARA ASUMIR CUALQUIER OTRA GARANTÍA O RESPONSABILIDAD EN RELACIÓN CON ESTE PRODUCTO DE SOFTWARE.

(e) REMEDIO EXCLUSIVO Y LIMITACIÓN DE LA GARANTÍA - BAJO NINGUNA CIRCUNSTANCIA DCS SERÁ RESPONSABLE DE NINGÚN DAÑO ESPECIAL, CONTINGENTE, EMERGENTE, DIRECTO O INDIRECTO QUE SE BASE EN UN INCUMPLIMIENTO DE GARANTÍA, INCUMPLIMIENTO DE CONTRATO, NEGLIGENCIA, RESPONSABILIDAD OBJETIVA, O CUALQUIER OTRA TEORÍA LEGAL. DICHS DAÑOS INCLUYEN, ENTRE OTROS, PÉRDIDA DE GANANCIAS, PÉRDIDA DEL PRODUCTO DE SOFTWARE O CUALQUIER EQUIPO RELACIONADO CON ÉL, COSTE DE CAPITAL, COSTE DE EQUIPO DE SUSTITUCIÓN O REEMPLAZO, INSTALACIONES O SERVICIOS, TIEMPO DE INACTIVIDAD, TIEMPO DE LOS COMPRADORES, RECLAMACIONES DE TERCEROS, LO QUE INCLUYE LOS CLIENTES, Y DAÑOS A LA PROPIEDAD.

ADVERTENCIA: DSC recomienda probar el sistema completo de forma periódica. No obstante, a pesar de realizar pruebas periódicas, y debido a, pero también por otros motivos, la manipulación delictiva o por fallos eléctricos, es posible que este PRODUCTO DE SOFTWARE no ofrezca el rendimiento previsto.

Asegúrese siempre de obtener la última versión de la guía del usuario. Contacte a su distribuidor para disponer de las versiones actualizadas de esta guía de usuario.

© 2022 Johnson Controls. Todos los derechos reservados. JOHNSON CONTROLS, y DSC son marcas comerciales y/o marcas registradas. Queda estrictamente prohibido su uso sin autorización.

PG9350SL

Detector de feixe fotoelétrico sem fio

Recursos do detector

- Função de economia de bateria
- Classificação à prova d'água IP65, não avaliado pela UL
- Seletor de frequência de feixe de 4 canais
- Circuito de desqualificação ambiental para configurar o comportamento em condições climáticas adversas
- Função contra adulteração
- Faixa de detecção externa de 62 metros (350 pés)

Introdução

O PG9350SL é um detector de feixe fotoelétrico sem fio PowerG que fornece proteção para perímetros externos.

Aviso: O não cumprimento das instruções fornecidas com este dispositivo, ou o manuseio inadequado, pode causar morte ou ferimentos graves.

Informação de Segurança

Advertências

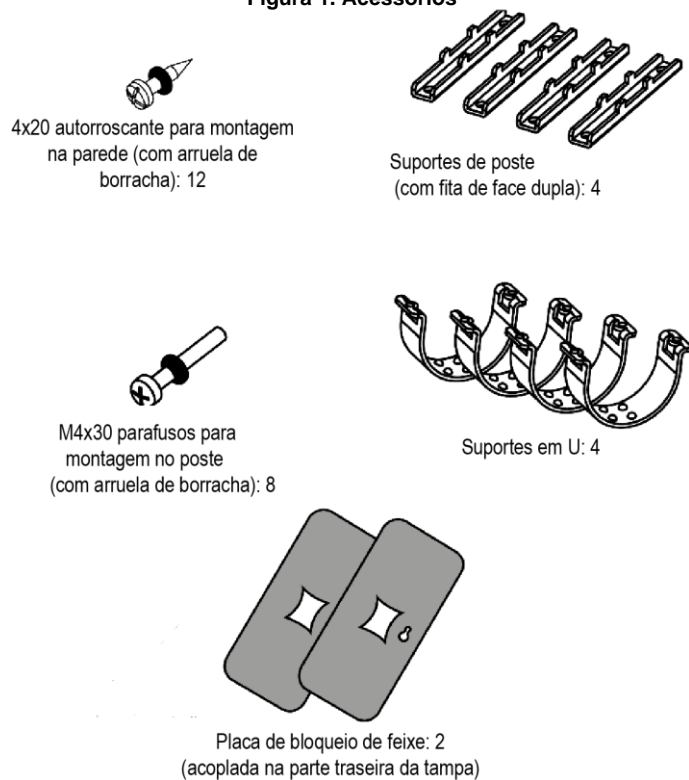
- Não use o produto para outros fins que não sejam a detecção de objetos em movimento, como pessoas e veículos.
- Não use o produto para fins não intencionais, como ativar um obturador, o que pode causar um acidente.
- Não toque no produto quando estiver molhado, nem toque na base da unidade ou nos terminais de alimentação do produto com as mãos molhadas. Isso pode causar choque elétrico.
- Não despeje água sobre o produto, pois pode causar danos.
- Nunca tente desmontar ou consertar o produto. Isso pode causar incêndio ou danificar os dispositivos.
- Não use baterias com diferentes níveis de energia restantes, ou seja, baterias novas e usadas. Não seguir essas diretrizes pode resultar em explosão, vazamento de eletrólito, emissão de gases tóxicos ou outros resultados que podem ser prejudiciais às pessoas e à propriedade.
- Ao manusear as baterias, não recarregue, faça curto-circuito, esmague, desmonte, aqueça acima de 100°C (212°F), incinere ou exponha o conteúdo à água. Não solde diretamente na célula. Não seguir essas diretrizes pode resultar em incêndio, explosão ou risco de queimadura grave.
- Limpe e verifique o produto periodicamente para uso seguro. Se algum problema for encontrado, pare de usar o produto e mande repará-lo por um engenheiro ou eletricista profissional.

Conteúdo da caixa

- Módulos transmissores e receptores
- Documentação do produto
- Pacote de hardware

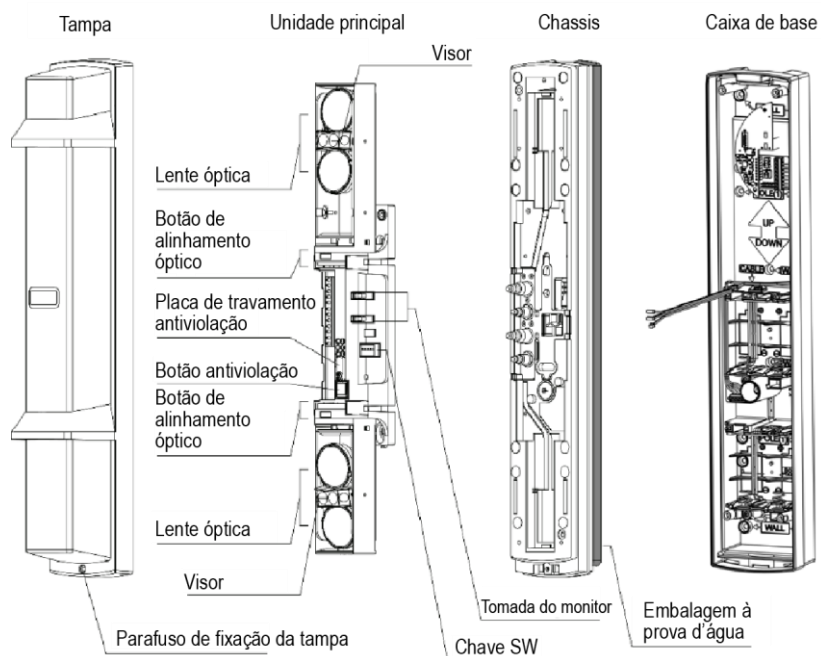
Acessórios

Figura 1. Acessórios



Identificação das peças

Figura 2. Identificação das peças



Pedido de baterias de detectores

As baterias especificadas para o dispositivo são quatro (4) baterias LSH20 fabricadas pela SAFT, duas para o transmissor e duas para o receptor.

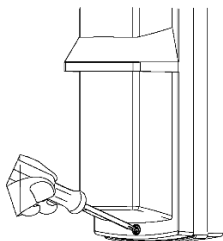
Para obter informações sobre baterias, acesse o site a seguir e entre em contato com o representante de vendas local da SAFT. Consulte <https://www.saftbatteries.com/products-solutions/products/lsh-lsp>

Desmontagem do dispositivo

Desmonte o dispositivo antes de registrar e montar.

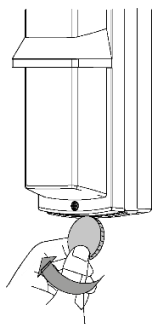
1. Afrouxe o parafuso de fixação da tampa com uma chave de fenda.

Figura 3. Afrouxe o parafuso de fixação da tampa



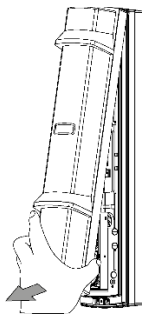
2. Coloque uma moeda no recesso e gire levemente para destravar a tampa.

Figura 4. Destravamento da tampa



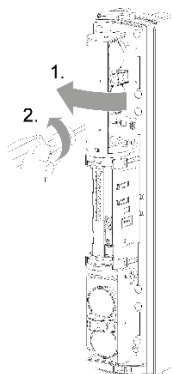
3. Puxe a tampa da parte de trás do dispositivo.

Figura 5. Remoção da tampa



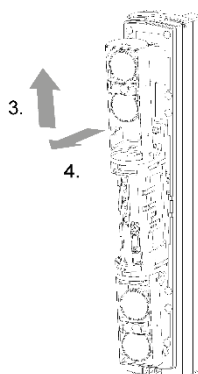
4. Para remover a unidade principal do chassi, gire a unidade óptica 90° e remova os parafusos de ambos os lados.

Figura 6. Remoção dos parafusos da unidade principal



5. Puxe a parte superior da unidade principal para frente e para cima para removê-la.

Figura 7. Remoção da unidade principal



Cuidado: Não coloque a unidade principal exposta à luz solar direta. Isso pode causar danos ao produto.

6. Solte os 5 parafusos da tampa traseira e remova o chassi da caixa traseira.

Observação: Conclua o processo de desmontagem do transmissor e do receptor antes de montar o dispositivo.

Inscrição

Painéis compatíveis

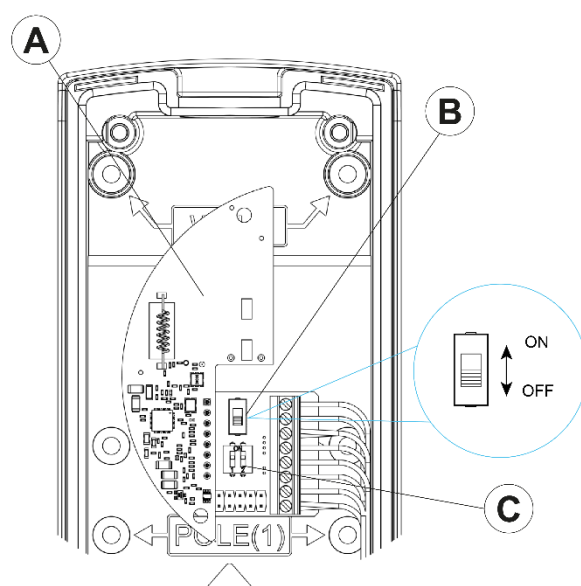
- PowerSeries NEO (v1.37 e posterior)
- PowerSeries Pro (v1.31 e posterior)
- IQ2+ (v2.6.2 e posterior)
- IQ Hub (v3.0.1 e posterior)
- IQ4 (v4.0.1 e posterior)

Registrando o dispositivo

O dispositivo inicia o processo de registro quando o módulo PowerG é ligado. O módulo PowerG é um cartão no detector.

Observação: Registre o transmissor e o receptor no painel de controle. Os módulos podem ser registrados em qualquer ordem.

Figura 8. Visão interna



A	Placa-filha PowerG			
B	Chave de alimentação PowerG			
C	Chaves dip de configuração	Configuração	Chave dip 1	Chave dip 2
		Receptor	Ligado	Ligado
		Transmissor	Desligado	Ligado

1. Certifique-se de que o painel de controle esteja no modo de registro.
2. Instale as baterias no detector.
3. Gire o interruptor de alimentação do módulo PowerG localizado na placa de interface para a posição LIGADO. Consulte o manual de instalação do painel de controle para obter um conjunto completo de instruções de registro.

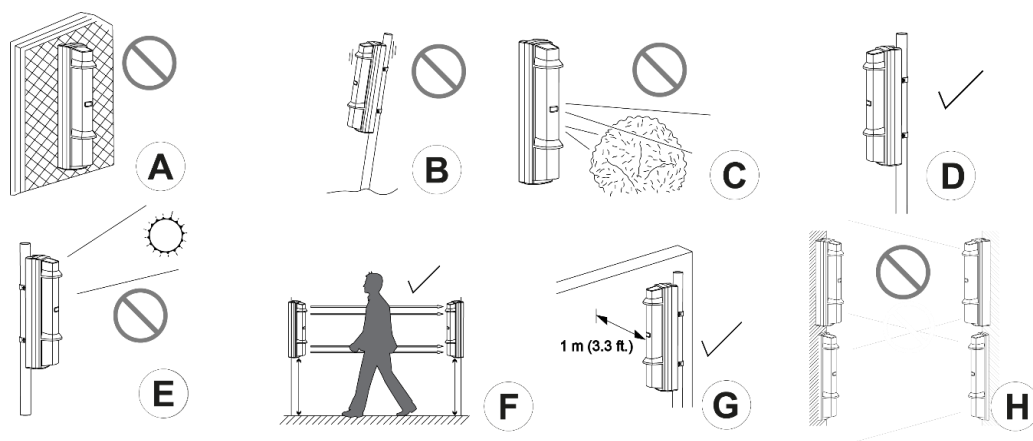
Se o procedimento de registro automático falhar, consulte as instruções do painel de controle e registre o dispositivo manualmente.

4. **Opcional:** Configure quaisquer configurações opcionais na placa de interface. Para obter mais informações, consulte a seção *Configurações opcionais*.
5. **Importante!** Gire a chave para a posição OFF e remova as baterias. Reinsira as baterias depois de montar o dispositivo.

Observação: Conclua a inscrição do transmissor e do receptor antes de montar o dispositivo.

Montagem

Figura 9. Diretrizes de montagem



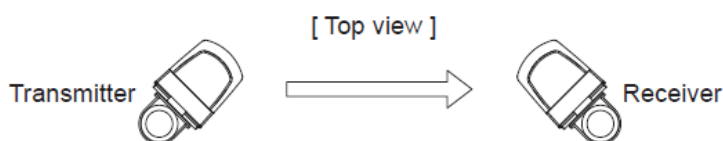
A	Não monte o dispositivo em uma superfície instável
B	Não monte o dispositivo em um poste instável
C	Não monte o dispositivo perto de árvores ou outros objetos que possam bloquear o feixe.
D	Ao montar em um poste, o tamanho do diâmetro do poste deve ser 34 mm - 48 mm (1,34 pol. - 1,89 pol.).
E	A luz solar direta pode afetar o desempenho do dispositivo. Evite montar o dispositivo em locais expostos a muita luz solar direta.
F	Monte o aparelho a uma altura de 0,7 m a 1 m (2,3 pés a 3,3 pés).
G	Monte o dispositivo a pelo menos 1 m (3,3 pés) de distância de uma parede ou cerca paralela ao feixe.
H	Não monte o dispositivo onde o feixe infravermelho de um modelo diferente possa alcançar o receptor.

Importante: Instale completamente todos os componentes do detector para cumprir os requisitos do padrão IP65.

Diretrizes adicionais

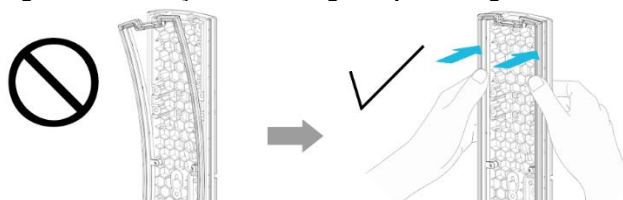
- Evite que os cabos fiquem presos entre o chassi e a caixa traseira ao montar este dispositivo.
- Se você acidentalmente abrir um orifício desnecessário, certifique-se de preenchê-lo. Não fazer isso pode resultar em falha à prova d'água e mau funcionamento do produto. Use selante de silicone ou massa plástica. Não use Siloxane, pois isso pode corroer o PCB. O selante com menos de 0,1% de Siloxano é aceitável.
- Não toque ou mova a unidade óptica ao montar a tampa. Isso pode deslocar o eixo óptico e precisar de reajuste.
- Evite montar o transmissor e o receptor em um ângulo de 45° conforme mostrado abaixo. Isso reduz o alcance de detecção em 50%.

Figura 10. Alcance de detecção reduzido



- Certifique-se de que a embalagem à prova d'água esteja acoplada antes da montagem para preservar a classificação IP do dispositivo.

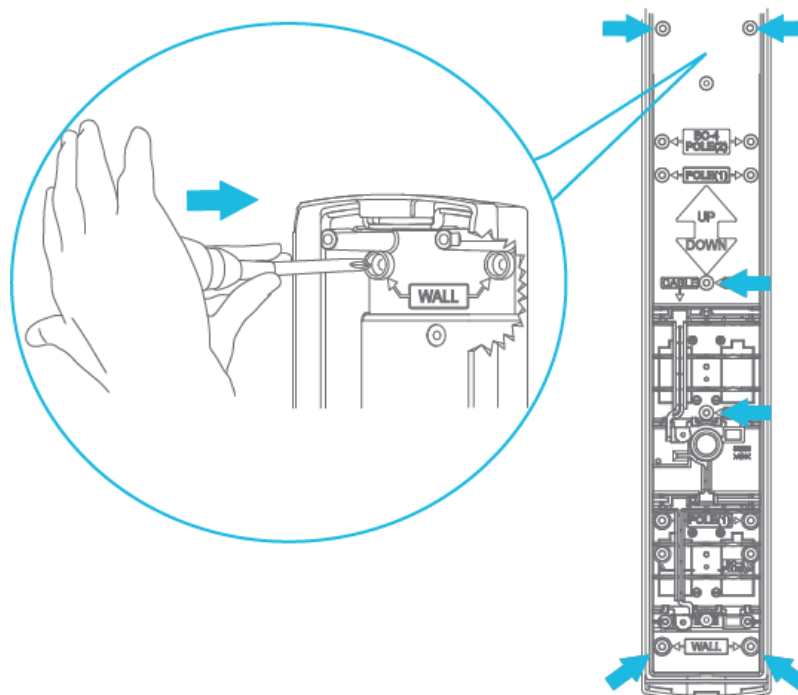
Figura 11. Colocação da embalagem à prova d'água



Montagem em uma parede

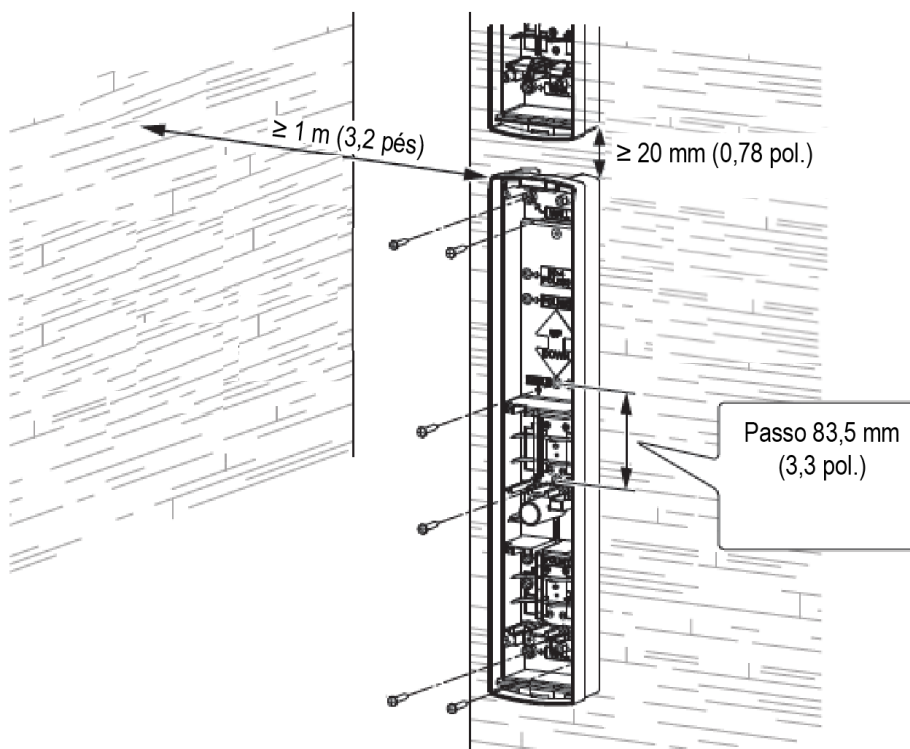
1. Usando uma chave de fenda ou ferramenta similar, quebre os seis orifícios na caixa traseira. As posições dos orifícios são marcadas como **WALL** (PAREDE).

Figura 12. Preparação da caixa traseira para montagem



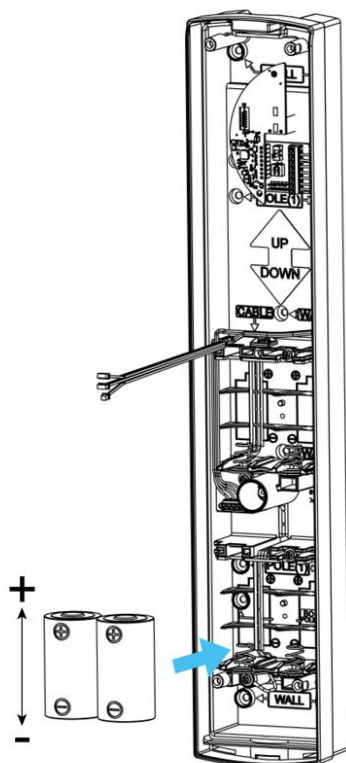
2. Monte a caixa traseira na parede com os parafusos 4x20. Se dois detectores estiverem instalados, a distância entre o detector superior e o inferior deve ser de pelo menos 20 mm (0,78 pol.). Se estiver montando em um canto, certifique-se de que a distância da parede lateral seja de pelo menos 1 m (3,2 pés). Use um passo de 83,5 mm (3,3 pol.) ao conectar a uma caixa elétrica de grupo.

Figura 13. Montagem das caixas traseiras



3. Insira duas baterias no recesso inferior da caixa traseira e coloque o interruptor do módulo RF na posição ON.

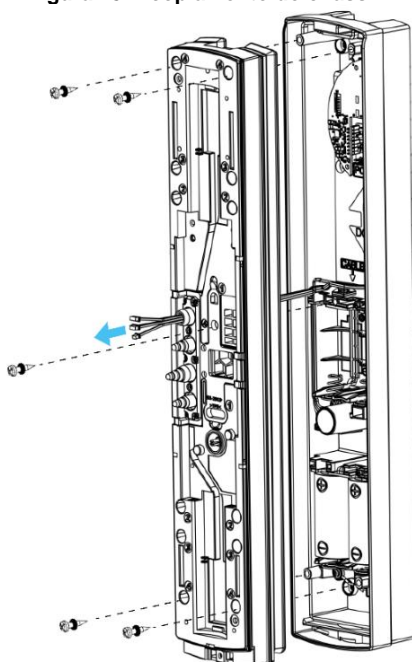
Figura 14. Inserção das baterias



4. Puxe o cabo pelo chassi e aperte os parafusos. Aperte os parafusos nesta ordem:
 - a. Intermediária
 - b. Parte superior esquerda
 - c. Parte inferior esquerda
 - d. Parte superior direita
 - e. Parte inferior direita

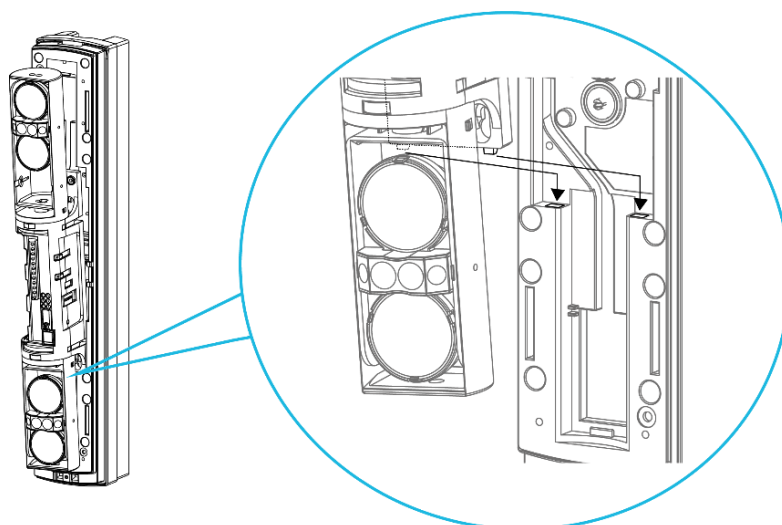
Cuidado: Aperte os parafusos completamente com um torque de 1,0 - 1,5 Nm. Não fazer isso pode causar mau funcionamento do dispositivo antiviolação de parede.

Figura 15. Acoplamento do chassi



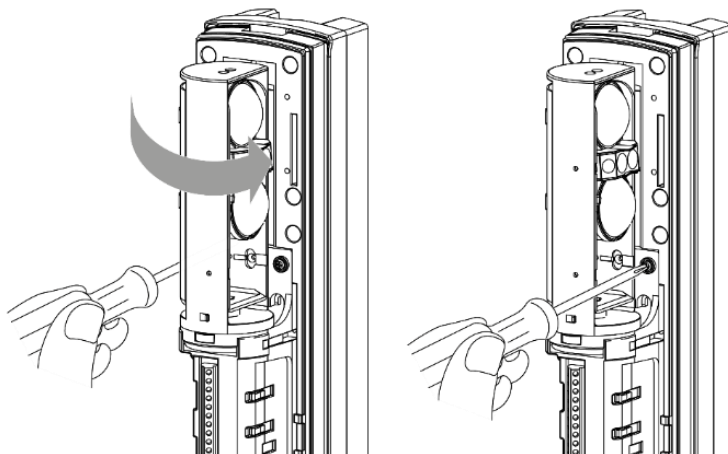
5. Insira a parte inferior da unidade principal e empurre para baixo para fixá-la no chassi.

Figura 16. Inserção da unidade principal



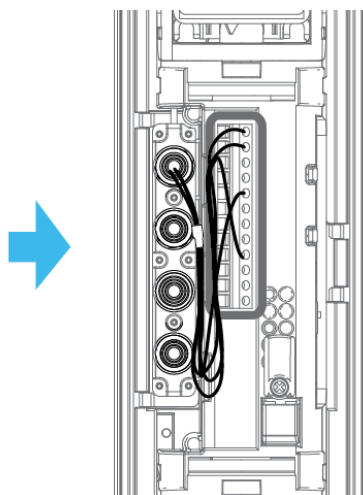
6. Gire a unidade óptica 90 graus e aperte os parafusos em ambos os lados.

Figura 17. Ajuste da unidade óptica



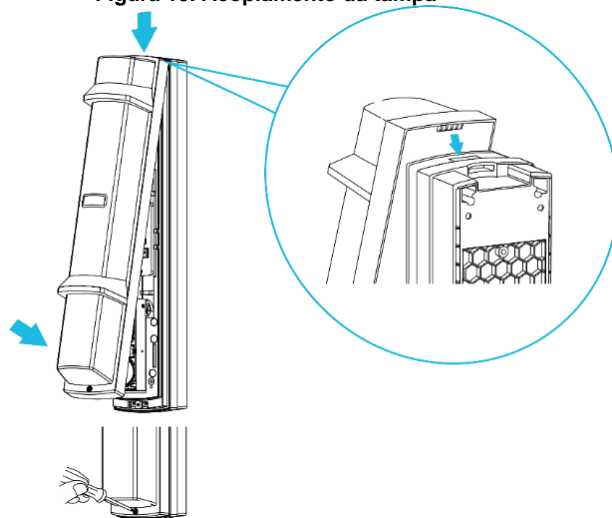
7. Coloque os cabos atrás dos cones de borracha azul para evitar que fiquem presos sob a tampa principal.

Figura 18. Fixação dos cabos



- Para fechar a tampa, prenda-a na parte superior do chassi e empurre a parte inferior da tampa até encaixar.

Figura 19. Acoplamento da tampa

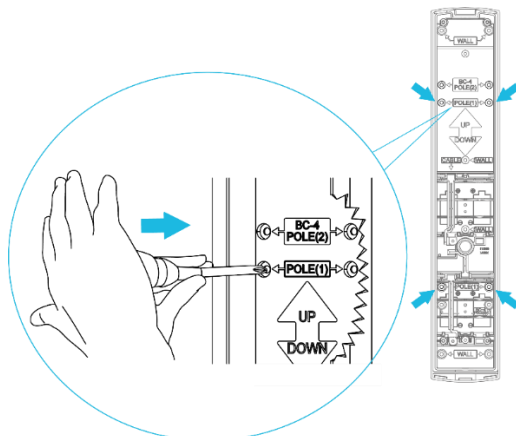


- Prenda o parafuso de fixação da tampa.
- Empurre a parte central da tampa para ocultar completamente a etiqueta laranja durante a operação.

Montagem em um poste

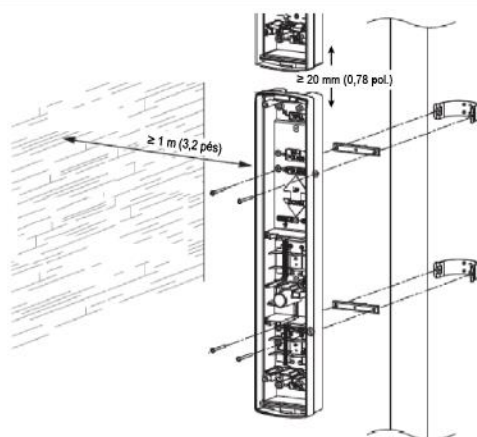
1. Com uma chave de fenda ou ferramenta similar, quebre os furos marcados como **POLE(1)** (POSTE[1]) na caixa traseira.

Figura 20. Preparação da caixa traseira para montagem



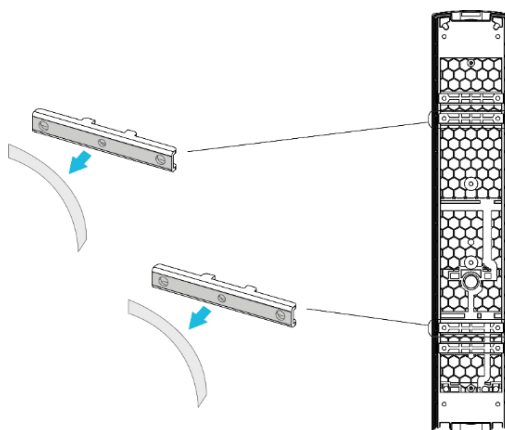
2. Monte a caixa traseira no poste com os parafusos M4x30. Se instalar dois detectores verticalmente, a distância entre o detector superior e o detector inferior deve ser de pelo menos 20 mm (0,78 pol.). Se estiver montando em um canto, certifique-se de que a distância da parede lateral seja de pelo menos 1 m (3,2 pés)

Figura 21. Montagem das caixas traseiras



3. Prenda fitas dupla face aos suportes de montagem do poste para facilitar a montagem.

Figura 22. Preparação dos suportes de montagem

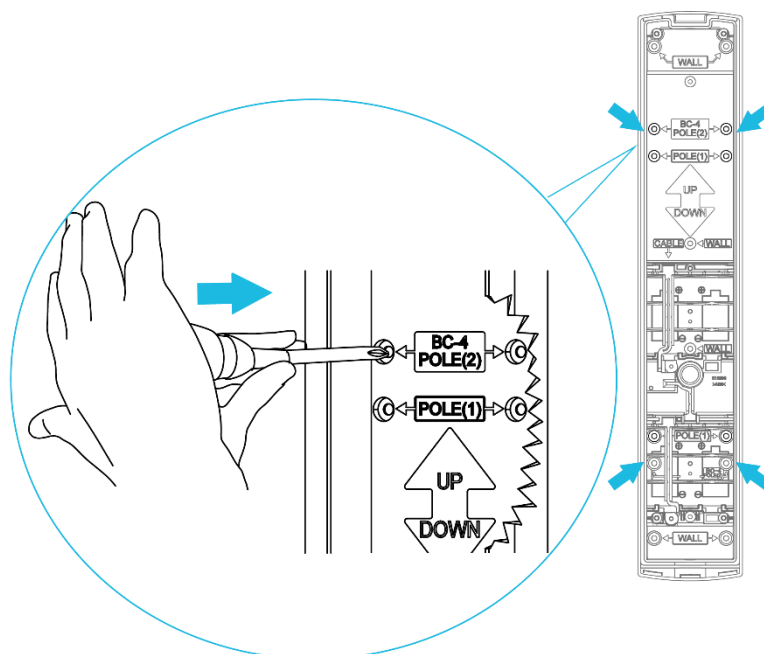


4. Conclua as etapas de 3 a 10 na seção *Montagem em uma parede*.

Montagem de um segundo detector na direção oposta em um poste

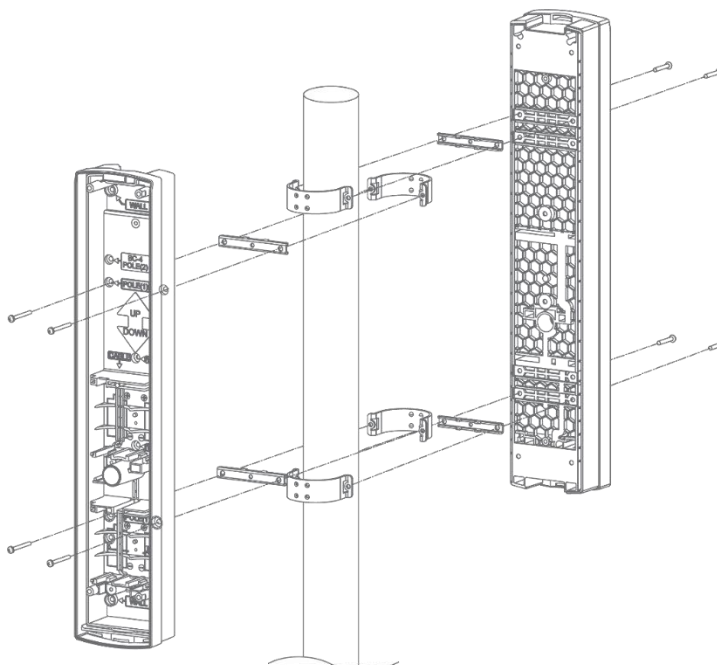
1. Para o segundo detector, com uma chave de fenda ou ferramenta similar, quebre os furos marcados como **POLE(2)** (POSTE[2]) na caixa traseira.

Figura 23. Preparação da caixa traseira para montagem



2. Monte as caixas traseiras no poste com os parafusos M4x30. Coloque fitas dupla face nos suportes de montagem do poste para facilitar a montagem do dispositivo usando os suportes.

Figura 24. Montagem das caixas traseiras



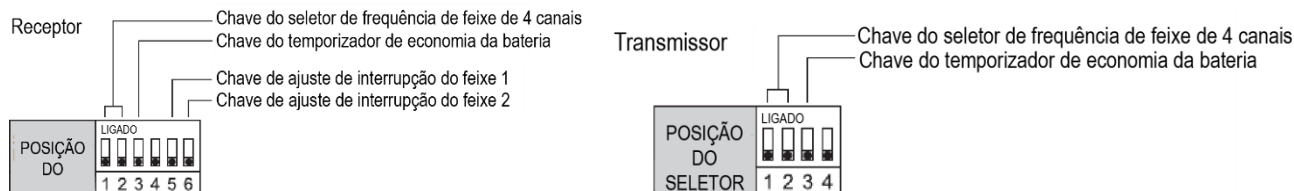
3. Conclua as etapas de 3 a 10 na seção *Montagem em uma parede*.

Configurações do dispositivo

Aviso: Não altere as configurações padrão além do temporizador de economia de bateria. Consulte *Temporizador de economia da bateria* para obter mais informações. A alteração das configurações padrão pode fazer com que o dispositivo funcione incorretamente e aumenta a chance de falha ou alarmes falsos.

Funções da chave

Figura 25. Funções da chave



Receptor

- 1 e 2:** Chaves do seletor de frequência de feixe de 4 canais
- 3:** Chave do temporizador de economia da bateria
- 4:** Não utilizado. Deixe esta chave na posição OFF (DESLIGADA).
- 5:** Chave de ajuste de interrupção do feixe 1
- 6:** Chave de ajuste de interrupção do feixe 2

Transmissor

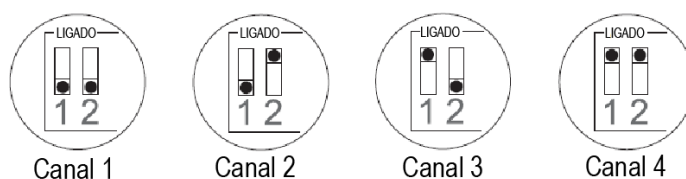
- 1 e 2:** Chaves do seletor de frequência de feixe de 4 canais
- 3:** Chave do temporizador de economia da bateria
- 4:** Não utilizado. Deixe esta chave na posição OFF (DESLIGADA)

Configuração do seletor de frequência de feixe de 4 canais

Use o seletor de frequência de feixe de 4 canais para evitar diafonia indesejada ao usar vários detectores fotoelétricos para aplicações de longa distância ou empilhamento de feixe.

1. Use o par de chaves para selecionar entre 4 frequências de feixe separadas.

Figura 26. Configuração do seletor de frequência de feixe de 4 canais

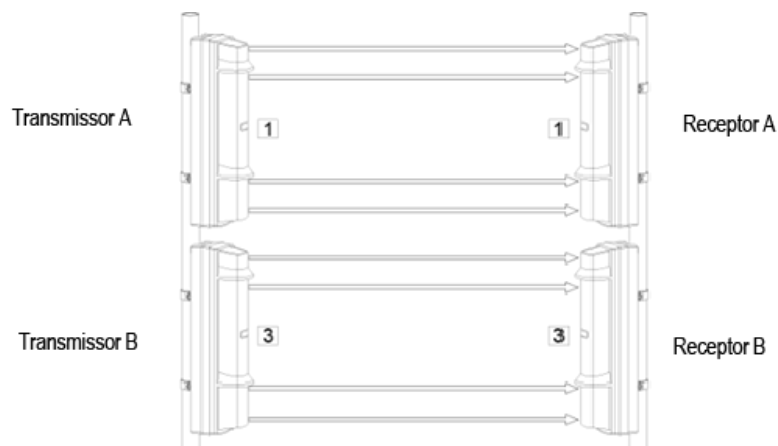


2. Certifique-se de que o receptor e o transmissor voltados um para o outro estejam configurados para a mesma frequência.

Exemplos de instalação

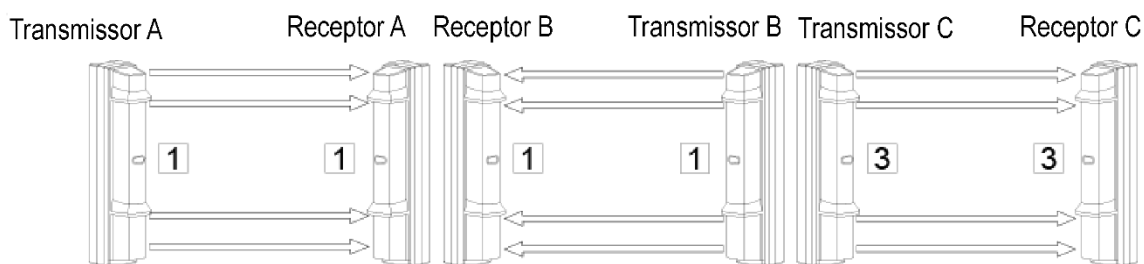
- a. Proteção empilhada dupla. Como o Receptor B pode receber o feixe infravermelho do Transmissor A, selecione as frequências conforme mostrado na figura. Na figura, o número no quadrado indica o canal.

Figura 27. Proteção empilhada dupla



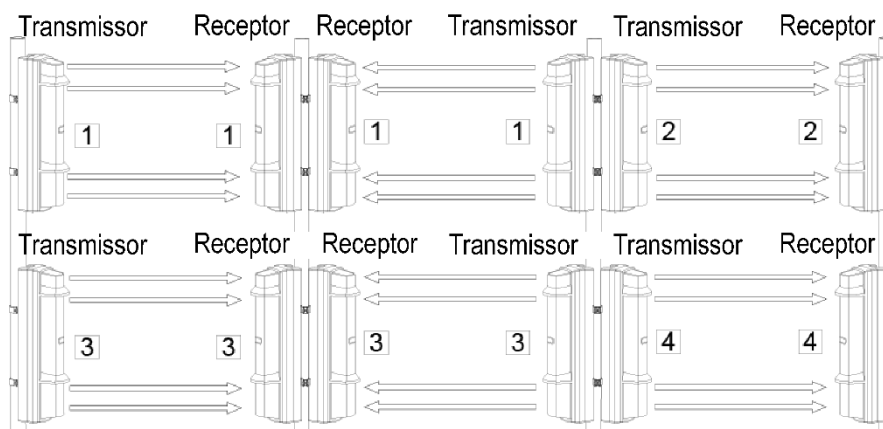
- b. Proteção de longa distância. Como o Receptor C pode receber o feixe infravermelho do Transmissor A, selecione as frequências conforme mostrado na figura.

Figura 28. Proteção de longa distância

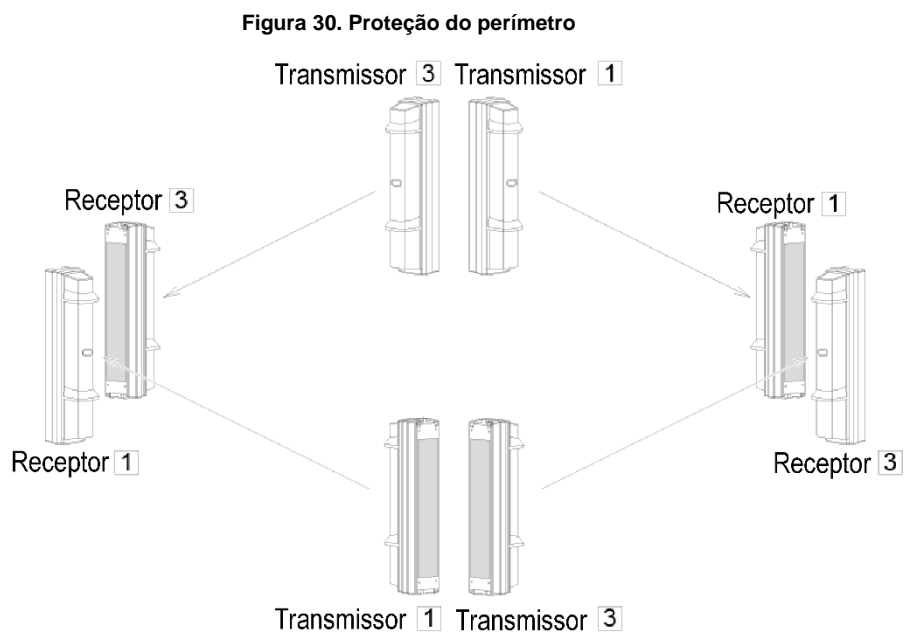


- c. Proteção de longa distância empilhada dupla. Não é possível aplicar mais do que o empilhamento duplo. Sempre alterne as frequências em dois canais ao empilhar dispositivos um em cima do outro. Por exemplo, defina o dispositivo superior para o canal 1 e o dispositivo inferior para o canal 3 ou os canais 2 e 4, respectivamente.

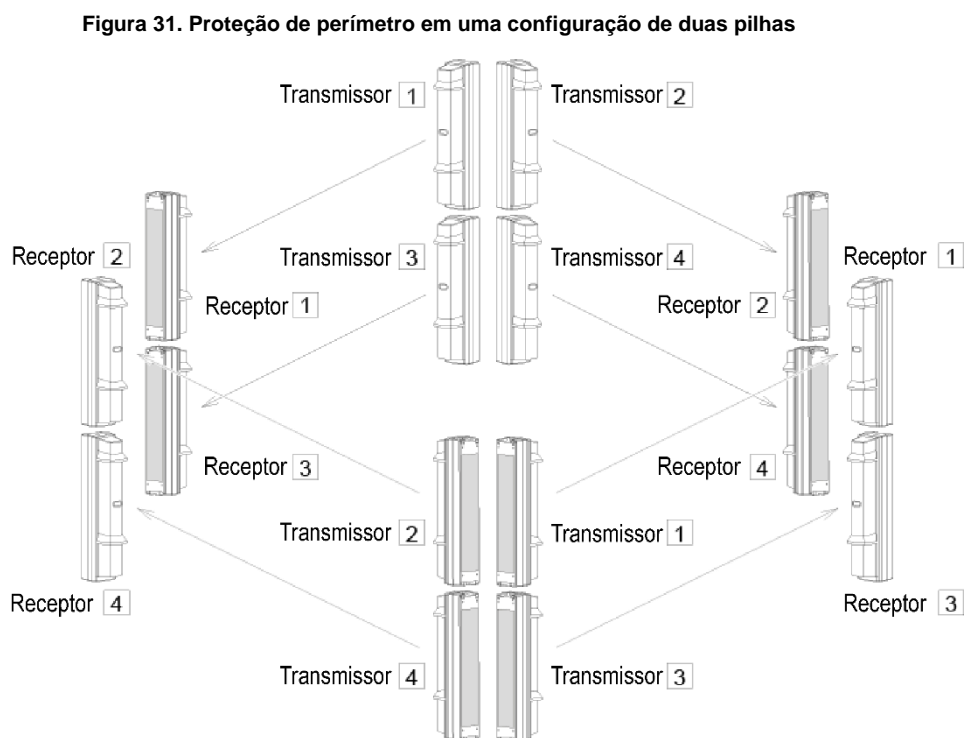
Figura 29. Proteção de longa distância empilhada dupla



d. Proteção do perímetro.



e. Proteção de perímetro em uma configuração de duas pilhas.



Aviso:

- Não tente instalar este produto com outro detector fotoelétrico. Isso pode fazer com que o detector falhe ou acione alarmes falsos.

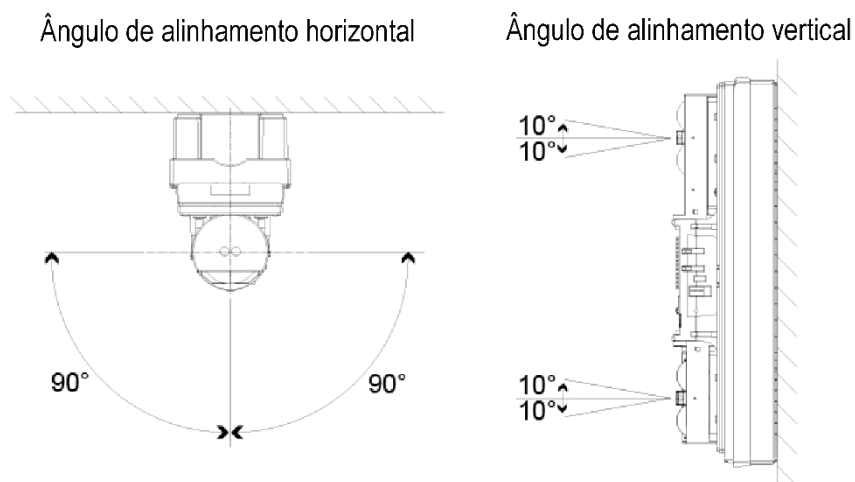
Alinhamento óptico

Após a montagem, execute um alinhamento óptico para garantir que o dispositivo funcione de forma confiável.

Cuidado: Não toque na lente durante o ajuste óptico.

Ângulos de alinhamento

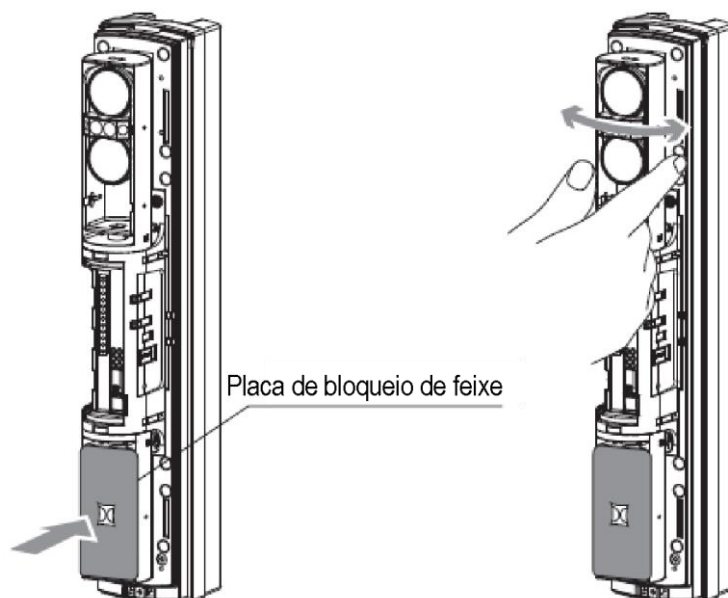
Figura 32. Ângulos de alinhamento



Alinhamento do dispositivo

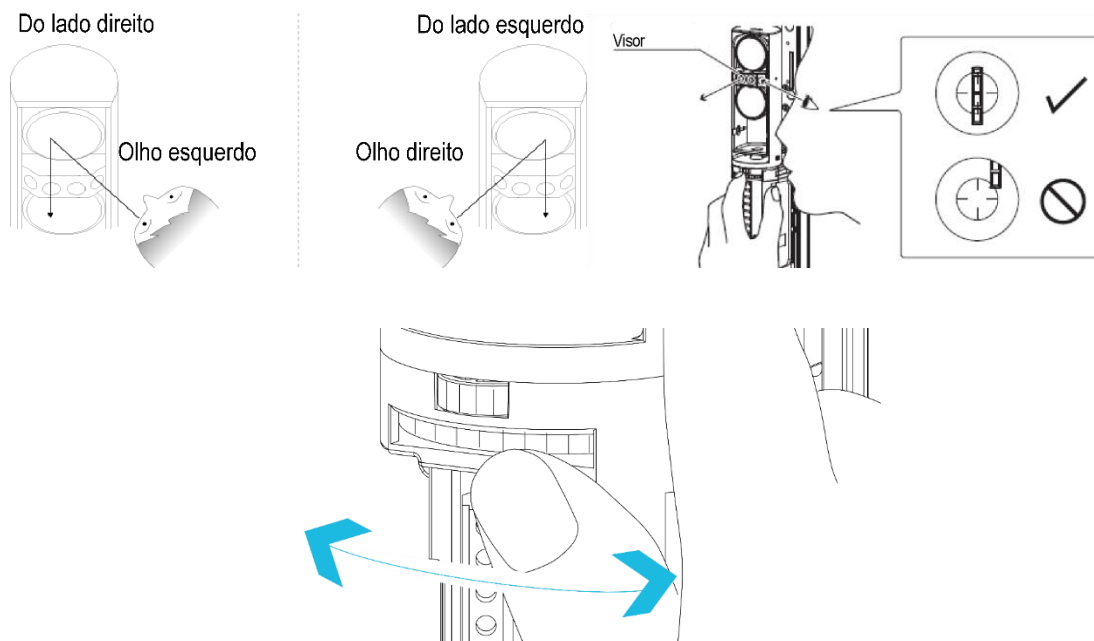
1. Execute um alinhamento aproximado do ângulo horizontal.
 - a. Monte uma placa de bloqueio de feixe na unidade inferior e inicie o alinhamento óptico a partir da unidade superior. A placa de bloqueio do feixe é fixada na parte de trás da tampa.
 - b. Retorne a placa de bloqueio do feixe para a tampa após o uso.

Figura 33. Realização de um alinhamento aproximado



2. Olhe pelo visor e faça o alinhamento preciso dos ângulos horizontal e vertical usando os mostradores de alinhamento. Gire o botão pequeno para alinhamento horizontal. Gire o botão grande para alinhamento vertical.

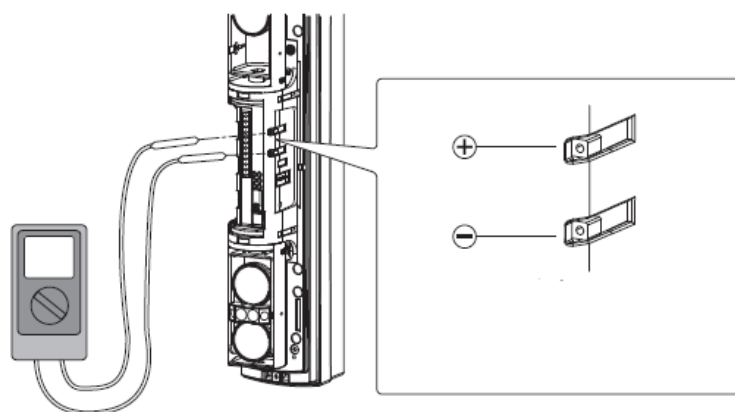
Figura 34. Realização de um alinhamento fino



Aviso: Não olhe pelo visor sob fontes de luz fortes, como a luz do sol.

3. Após o alinhamento usando o visor, faça o ajuste com o voltímetro para um alinhamento óptico mais preciso.
 - a. Defina a faixa do voltímetro para 5 a 10 VCC.
 - b. Insira o pino positivo do voltímetro no terminal positivo da tomada do monitor e o pino negativo no terminal negativo.
 - c. Procure atingir um nível de saída do monitor de “Excelente”, ou 2,8 V ou mais.

Figura 35. Ajuste do alinhamento usando o voltímetro



3. Ajuste os ângulos horizontal e vertical enquanto verifica o LED indicador de nível no receptor de emparelhamento.

LED indicador de nível	Feixe interrompido LIGADO (vermelho)	Feixe recebido			
		Piscando rápido	Piscando lentamente	DESLIGADO	
Nível de ajuste	Ângulo de reajuste		Regular	Bom	Excelente
Saída da tomada do monitor	0 V		> 1,0 V	> 2,4 V	> 2,8 V

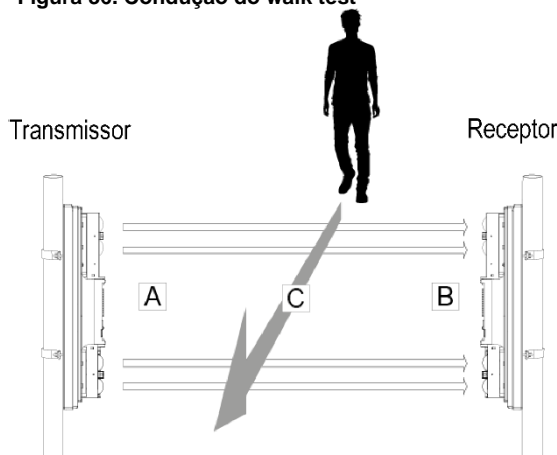
Observação: Os LEDs indicadores de alarme e indicadores de nível são ferramentas de suporte para facilitar o alinhamento. Sempre faça um alinhamento fino com o conector do monitor para garantir o nível máximo de saída.

Teste do dispositivo

Após a instalação, conclua as etapas a seguir para testar se o dispositivo está funcionando corretamente:

1. Certifique-se de que o LED indicador de alarme esteja desligado. Se ele estiver aceso quando os feixes não estiverem bloqueados, execute novamente as etapas na seção *Alinhamento óptico*.
2. Certifique-se de que os LEDs indicadores de bateria fraca no transmissor e no receptor estejam desligados. Se o LED indicador de bateria estiver piscando, substitua as baterias do dispositivo.
3. Realize um walk test para verificar se o LED indicador de alarme no receptor acende (ON) quando o testador interrompe os feixes. Faça um walk test nos três pontos a seguir:
 - A: Na frente do transmissor
 - B: Na frente do receptor
 - C: No ponto intermediário entre o transmissor e o receptor

Figura 36. Condução do walk test



4. **Opcional:** Se estiver usando, ative o temporizador de economia de bateria após concluir o walk test. Consulte Temporizador de economia da bateria.

O detector está funcionando corretamente quando o LED indicador de alarme acende em todos os três pontos

Indicações dos LEDs

A tabela a seguir descreve o significado das indicações de LED do dispositivo.

	Detecção (interrupção do feixe)	Normal	Bateria fraca
Alarme (receptor)	LIGADO	DESLIGADO	—
Alimentação (transmissor)	LIGADO	LIGADO	—
Bateria fraca (receptor e transmissor)	—	—	Piscando

Temporizador de economia da bateria

Ative o temporizador de economia de bateria após a instalação para evitar o consumo extra de bateria e vários eventos de alarme. A ativação do temporizador de economia de bateria define um período que começa assim que o detector detecta e transmite um evento. Apenas um evento é transmitido durante este período, e quaisquer outros eventos sucessivos não são transmitidos até que o período termine. Consulte *Configurações opcionais* para as configurações da chave DIP do período de economia de bateria.

Observações:

- Desligue o temporizador de economia de bateria para testar efetivamente o dispositivo.

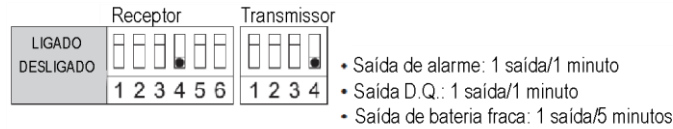
- Ao instalar em uma parede ou poste, certifique-se de que a tampa esteja encaixada corretamente na unidade principal.

Configurações opcionais

Aviso: Não altere as configurações padrão. A alteração das configurações padrão pode fazer com que o dispositivo funcione incorretamente e aumenta a chance de falha ou alarmes falsos.

Configurações da chave DIP e saída

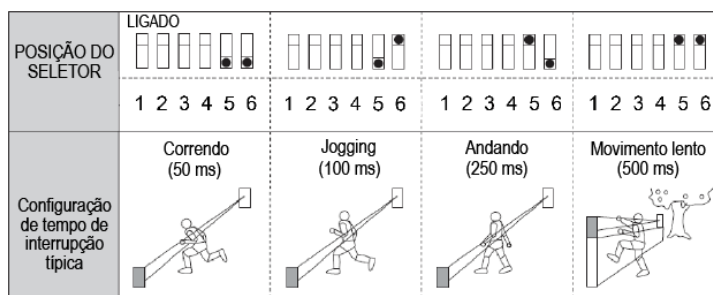
Figura 37. Configurações da chave DIP e saída



Ajuste do tempo de interrupção do feixe

Você pode ajustar as configurações de tempo de interrupção do feixe de acordo com o alvo pretendido dos detectores usando uma das quatro posições do seletor abaixo. A configuração padrão é 50 ms.

Figura 38. Ajuste do tempo de interrupção do feixe



Saída de D.Q. (desqualificação ambiental)

O recurso de saída de D.Q. detecta quando a intensidade do feixe está abaixo dos níveis aceitáveis devido a fatores ambientais, como chuva forte, neve ou neblina. Se a força do feixe for baixa por mais de 20 segundos devido a essas condições, um sinal de saída de D.Q. é gerado. O sinal volta ao normal quando a intensidade do feixe está em níveis aceitáveis por mais de 2 segundos.

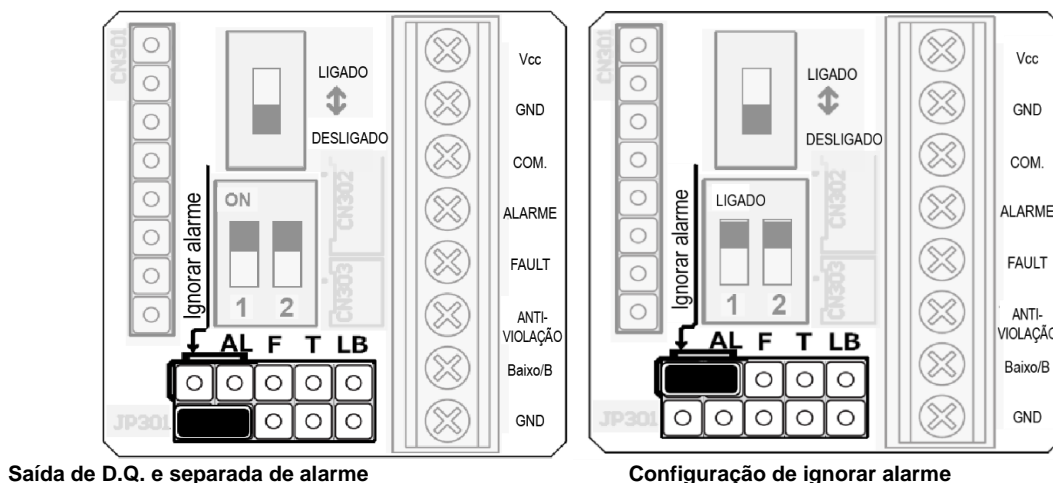
Observação: A saída de D.Q. saída não é avaliada pela UL.

O sinal de saída de D.Q. pode ser configurado para um dos seguintes usos:

- **Saída separada:** Alerta o usuário de que o detector não está funcionando corretamente devido às condições climáticas.
- **Ignorar alarme:** Ignora o alarme quando a saída de D.Q. é acionada por condições climáticas adversas.

Você pode configurar qualquer uma das opções com as seguintes configurações de pino de jumper na placa de interface do Receptor:

Figura 39. Placa de interface do receptor



Solução de problemas

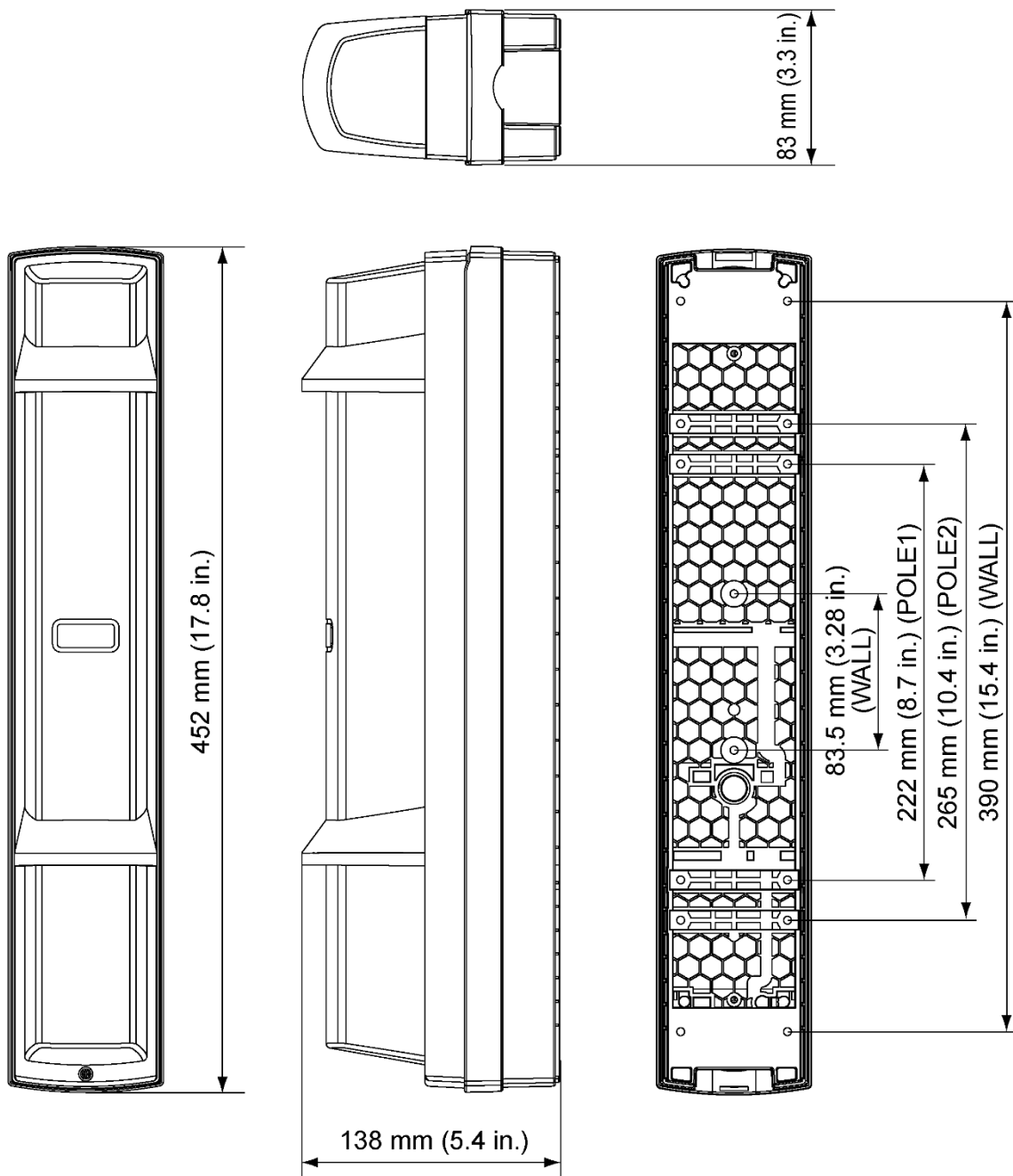
Problema	Possível causa	Ação corretiva
Os LEDs não estão iluminados (transmissor ou receptor)	Polaridade da bateria invertida	Verifique a polaridade da bateria
Indicador de bateria fraca pisca mesmo assim a bateria foi inserida (transmissor ou receptor)	Bateria fraca	Substituição das baterias
Alarme não é emitido	Reflexão do chão ou da parede.	Alinhe os feixes longe do chão ou da parede.
	O feixe não foi bloqueado.	Bloqueie todos os quatro feixes.
Saídas de alarme de forma consistente	Canais do transmissor e receptor são diferentes.	Defina o mesmo canal para o transmissor e o receptor
	Detector fotoelétrico múltiplo para longa distância ou aplicações de empilhamento de feixes.	Defina os canais 1-3 ou 2-4 ou 1-4.
	O alinhamento óptico não foi feito corretamente.	Consulte <i>Alinhamento óptico</i> .
As baterias estão perdendo a carga muito rapidamente	Antiviolação não está fechada	Encaixe a tampa da placa de bloqueio de violação corretamente.
Geada, neve ou chuva forte causa alarme falso.	Alinhamento óptico não otimizado.	Consulte <i>Alinhamento óptico</i> .
	Saída DQ não habilitada	Consulte <i>Opcional: Saída DQ</i> .
Antiviolação de parede não ativa.	Parafusos entre o chassis e a caixa traseira estão soltos.	Aperte os parafusos.
	A embalagem à prova d'água na caixa traseira não está acoplada.	Remova o chassi da caixa traseira e anexe a embalagem impermeável para o chassi corretamente.

Troca da bateria

Ao trocar as baterias, remova todas as baterias antes de inserir novas. Isso garante que o LED indicador de bateria fraca seja reiniciado.

Dimensões

Figura 40. Dimensões



Especificações

GERAL

Alcance de detecção reduzido: 100 m/350 pés

Método de detecção: Detecção de interrupção de feixe infravermelho quádruplo

Frequência de feixe selecionável: 4 canais

Tempo de interrupção: Variável entre 50, 100, 250 e 500 ms

Fonte de alimentação: Recomendada: Baterias de lítio de 3,6 V, 13,0 Ah LSH20 fabricadas pela SAFT.

Consumo de corrente: 745 µA Transmissor: 420 µA + Receptor: 325 µA (a 25°C, 3,6 VCC)*

Vida útil da bateria: Transmissor: Aproximadamente, 4 anos. Receptor: Aproximadamente, 5 anos**

Temperatura operacional: -20°C a +60°C (-4°F a 140°F)

Umidade operacional: 95 % (máx.)

Ângulo de alinhamento: ±90° Horizontal, ±10° Vertical

Dimensão: A x L x P mm (polegadas): 452 (17,9) x 83 (3,3) x 138 (5,4)

Peso: 3300 g, inclui o peso total do Transmissor + Receptor, excluindo acessórios

Proteção internacional: IP65

Frequência de transmissão de supervisão: Intervalos de 128/256 segundos, de 912-919 MHz

INDICADOR

Indicador de alarme (receptor): Alarme: LIGADO Recepção de luz: DESLIGADO

Indicador de nível (receptor): Nenhum feixe recebido: LIGADO. Feixe recebido: Piscando ou DESLIGADO

Indicador de alimentação (transmissor): Energia LIGADA: LIGADA, energia DESLIGADA DESLIGADO

Indicador de bateria fraca: Redução de tensão: Piscando

As especificações e o design estão sujeitos a alterações sem aviso prévio.

* O valor é baseado na condição de ser usado dentro da faixa de temperatura ambiente de 20 a 25°C. (LSH-20 x2 peças)

** A especificação de vida útil da bateria se aplica somente ao usar as baterias recomendadas. Consulte *Pedido de baterias de detectores*. O uso de outros tipos de bateria pode afetar a expectativa de vida útil da bateria ou o desempenho do produto.

Observação: Esses dispositivos são projetados para detectar um intruso e ativar um painel de controle de alarme; fazem parte de um sistema completo, pelo que o fabricante não se responsabiliza por quaisquer danos ou outras consequências resultantes de uma intrusão.

Conformidade com os padrões

EUA: FCC- CFR 47 Parte 15
UL Resi/Com Burg: UL639



Canadá: IC RSS – 247
ULC Resi/Com Burg ULC-S306

Este dispositivo segue a Parte 15 das Regras da FCC e com padrões RSS do setor isentos de licença da Industry Canada. A operação está sujeita às duas seguintes condições: (1) Este dispositivo não pode causar interferência prejudicial e (2) este dispositivo deve aceitar qualquer interferência recebida, incluindo interferência que possa causar operação indesejada.

Para seguir a Seção 1.1310 da FCC para exposição humana a campos eletromagnéticos de radiofrequência e requisitos IC, implemente a seguinte instrução: deve haver uma distância de pelo menos 20 cm entre o equipamento e todas as pessoas, durante a operação do equipamento.

OBSERVAÇÃO: O equipamento foi testado e provou estar de acordo com os limites para um dispositivo digital de Classe B, em conformidade com a Parte 15 das normas FCC. Esses limites foram projetados para oferecer proteção razoável contra interferência prejudicial, em uma instalação residencial. Este equipamento gera, usa e pode irradiar energia de frequência de rádio, e se não for instalado e usado de acordo com as instruções, pode causar interferência prejudicial às comunicações por rádio. Entretanto, não há garantia de que a interferência não ocorrerá em uma determinada instalação. Se este equipamento causar interferência prejudicial à recepção de rádio ou televisão, o que pode ser determinado desligando e ligando o equipamento, o usuário é incentivado a tentar corrigir a interferência por meio de uma ou mais das seguintes medidas: reorientar ou reposicionar a antena receptora. Aumentar a distância entre o equipamento e o receptor. Conectar o equipamento a uma tomada de um circuito diferente daquele ao qual o receptor está conectado. Consultar o revendedor ou um técnico de rádio/TV experiente para obter ajuda.

- Este aparelho de Classe B digital está conforme a ICES-003 Canadense.

AVISO! As alterações ou modificações nesta unidade que não sejam expressamente aprovadas pela parte responsável pela conformidade poderão anular a autoridade do usuário em operar o equipamento.

Observações de UL/ULC

Apenas o modelo PG9350SL operando na banda de frequência 912-919MHz é listado na UL/ULC. O PG9350SL foi listado pela UL para aplicações de roubo comercial e residencial e pela ULC para aplicações de roubo residencial

de acordo com os requisitos das Normas UL 639 e ULC-S306 para Unidades de Detecção de Intrusão.

Para instalações UL/ULC, use esses dispositivos somente com receptores sem fio DSC compatíveis:

HSM2HOST9, HS2LCDRF(P)9, HS2ICNRF(P) 9, PG9920, PowerSeries NEO (v1.37 e posterior), PowerSeries Pro (v1.31 e posterior), IQPanel2 (v2.6 e posterior), IQHub (v3.0 e posterior), IQPanel4 (v4.0 e posterior).

DECLARAÇÃO DE CONFORMIDADE FCC

AVISO! As alterações ou modificações nesta unidade que não sejam expressamente aprovadas pela parte responsável pela conformidade poderão anular a autoridade do usuário em operar o equipamento.

O dispositivo foi testado e provou estar de acordo com os limites para um dispositivo digital de Classe B, em conformidade com a Parte 15 das normas FCC. Esses limites foram projetados para oferecer proteção razoável contra interferência prejudicial em instalações residenciais. Este equipamento gera, usa e pode irradiar energia de frequência de rádio, e se não for instalado e usado de acordo com as instruções, pode causar interferência prejudicial às comunicações por rádio e recepção televisiva. Entretanto, não há garantia de que a interferência não ocorrerá em uma determinada instalação. Se este dispositivo causar tal interferência, o que pode ser verificado desligando e ligando o dispositivo, o usuário é incentivado a eliminar a interferência por uma ou mais das seguintes medidas:

- Redirecione ou reposicione a antena receptora.
- Aumente a distância entre o dispositivo e o receptor.
- Conecte o dispositivo a uma tomada de um circuito diferente daquele que fornece energia ao receptor.
- Consulte o revendedor ou um técnico de rádio/TV experiente.

FCC ID: F5321PG9350SL

Declaração de Inovação, Ciência e Desenvolvimento Econômico (ISED) do Canadá

Este equipamento está em conformidade com os limites de exposição à radiação de RF da FCC e ISED do Canadá estabelecidos para um ambiente não controlado.

Este dispositivo está em conformidade com as Regras da FCC Parte 15 e com os padrões RSS isentos de licença ISED Canadá. A operação está sujeita às duas seguintes condições:

(1) Este dispositivo não pode causar interferência nociva e (2) este dispositivo deve aceitar qualquer interferência que possa ser recebida ou que possa causar a operação indesejada.

Para seguir a Seção 1.1310 da FCC para exposição humana a campos eletromagnéticos de radiofrequência e requisitos de IC, implemente a seguinte instrução: Uma distância de pelo menos 20 cm entre o equipamento e todas as pessoas devem ser mantidas durante a operação do equipamento.

IC: 160A-PG9350SL

O termo IC antes do número de certificação de rádio significa que as especificações técnicas da Industry Canada foram atendidas. Este aparelho de Classe B digital está conforme a ICES-003 Canadense. Este dispositivo está em conformidade com RSS-247 da Industry Canada. A operação está sujeita às duas seguintes condições: (1) este dispositivo não pode provocar interferência e (2) este dispositivo deve aceitar qualquer interferência recebida, incluindo a interferência que pode causar a operação indesejada do dispositivo.

Garantia Limitada

A Digital Security Controls garante que, por um período de 12 meses a partir da data de compra, o produto estará livre de defeitos de materiais e mão de obra sob uso normal e que em cumprimento de qualquer violação de tal garantia, a Digital Security Controls deverá, a seu critério, reparar ou substituir o equipamento defeituoso após a devolução do equipamento ao seu depósito de reparos. Esta garantia aplica-se apenas a defeitos de peças e de fabricação e não a danos incorridos no transporte ou manuseio, ou danos devido a causas além do controle da Digital Security Controls, como raios, tensão excessiva, choque mecânico, danos causados pela água ou danos decorrentes de mau uso, alteração ou aplicação inadequada do equipamento.

A garantia anterior aplica-se apenas ao comprador original e substitui todas e quaisquer outras garantias, expressas ou implícitas, e todas as outras obrigações ou responsabilidades por parte da Digital Security Controls. A Digital Security Controls não assume nenhuma responsabilidade nem autoriza qualquer outra pessoa que pretenda agir em seu nome para modificar ou alterar esta garantia, nem a assumir por ela (a DSC) qualquer outra garantia ou responsabilidade referente a este produto.

Em nenhum caso, a Digital Security Controls será responsável por quaisquer danos diretos, indiretos ou consequentes, perda de lucros antecipados, perda de tempo ou quaisquer outras perdas incorridas pelo comprador associadas à compra, instalação ou operação ou falha deste produto.

Aviso: A Digital Security Controls recomenda que o sistema inteiro seja completamente testado regularmente. No entanto, mesmo com testes frequentes e devido a, entre outros, violação criminosa ou interrupção elétrica, é possível que este produto não funcione como esperado.

Informações importantes: Alterações ou modificações não expressamente aprovadas pela Digital Security Controls podem anular a permissão do usuário para operar este equipamento.

IMPORTANTE - LEIA COM ATENÇÃO: O software DSC, adquirido com ou sem Produtos e Componentes, respeita leis de direitos de autor e é comprado com a aceitação dos seguintes termos de licenciamento:

- Este Contrato de Licença de Usuário Final (“EULA”) é um acordo legal entre o Usuário (empresa, indivíduo ou entidade que adquire o Software ou qualquer Hardware relacionado) e a Digital Security Controls, uma divisão da Tyco Safety Products Canada Ltd. (“DSC”), o fabricante dos sistemas de segurança integrados e o programador do software e quaisquer produtos ou componentes relacionados (“HARDWARE”) adquiridos pelo Usuário.
- No caso de estar definido que o software do produto DSC (“PRODUTO DE SOFTWARE” ou “SOFTWARE”) destina-se a ser acompanhado do HARDWARE, e se verificar que NÃO está incluído um novo HARDWARE, o Usuário não poderá utilizar, copiar ou instalar o PRODUTO DE SOFTWARE. O PRODUTO DE SOFTWARE inclui o software para computador e poderá incluir mídias associadas, materiais impressos e documentação eletrônica ou “on-line”.
- Qualquer software fornecido com o PRODUTO DE SOFTWARE que esteja associado a um contrato de licença de usuário final em separado está licenciado a V.Exa. nos termos desse mesmo contrato de licença. • Ao instalar, copiar, descarregar, armazenar, aceder, ou outro, utilizando o PRODUTO DE SOFTWARE, o Usuário concorda incondicionalmente em respeitar os termos deste EULA, mesmo que o EULA seja considerado como uma modificação de quaisquer acordos ou contratos prévios. Se o Usuário não concordar com os termos deste EULA a DSC não irá licenciar o PRODUTO DE SOFTWARE ao Usuário, e o Usuário não terá direito à sua utilização.

LICENÇA

O PRODUTO DE SOFTWARE está protegido por legislação e tratados internacionais de direitos autorais, bem como por outras legislações e tratados de propriedade intelectual. O PRODUTO DE SOFTWARE é licenciado, não vendido.

1. CONCESSÃO DA LICENÇA Este EULA concede ao Usuário os seguintes direitos:

(a) Instalação e Uso do Software – Para cada licença que o Usuário adquire, apenas poderá haver uma cópia instalada do PRODUTO DE SOFTWARE.

(b) Armazenamento/Usos em Rede – O PRODUTO DE SOFTWARE não pode ser instalado, acessado, exibido, executado, compartilhado ou utilizado simultaneamente em, ou a partir de, diferentes computadores, incluindo uma estação de trabalho, terminal ou outro dispositivo eletrônico (“Dispositivo”). Em outras palavras, se o Usuário tiver várias estações de trabalho, ele terá de adquirir uma licença para cada estação de trabalho onde o SOFTWARE será utilizado.

(c) Cópia de Segurança – O usuário poderá fazer cópias de segurança do PRODUTO DO SOFTWARE, mas poderá ter apenas uma cópia por cada licença instalada num determinado momento. O Usuário poderá utilizar a cópia de segurança somente para fins de arquivo. Salvo da forma expressamente mencionada neste EULA, o Usuário não poderá fazer cópias do PRODUTO DE SOFTWARE, incluindo dos materiais impressos que acompanham o SOFTWARE.

2. DESCRIÇÃO DE OUTROS DIREITOS E LIMITAÇÕES

(a) Limitações sobre Engenharia Reversa, Descompilação e Desmontagem – o Usuário não poderá fazer engenharia reversa, descompilar ou desmontar o PRODUTO DE SOFTWARE exceto e apenas na extensão em que essa atividade for expressamente permitida por lei aplicável, a despeito desta limitação. O Usuário não poderá realizar alterações ou modificações ao Software sem a autorização escrita de um responsável da DSC. O Usuário não poderá remover quaisquer avisos de propriedade, marcas ou etiquetas do Produto de Software. O Usuário irá instituir medidas razoáveis para garantir a conformidade com os termos e condições deste EULA.

(b) Separação de Componentes - O PRODUTO DE SOFTWARE é licenciado como um único produto. As partes que o constituem não podem ser separadas para utilização em mais do que uma unidade de HARDWARE.

(c) PRODUTO Único INTEGRADO – Se o Usuário adquiriu este SOFTWARE com HARDWARE, então o PRODUTO DE SOFTWARE é licenciado com o HARDWARE como um produto único integrado. Nesse caso, o PRODUTO DE SOFTWARE só pode ser utilizado com o HARDWARE, tal como determinado neste EULA.

(d) Aluguel – O Usuário não pode alugar, locar ou ceder o PRODUTO DE SOFTWARE. O Usuário não poderá disponibilizá-lo a outros ou colocá-lo em um servidor ou site da web.

(e) Transferência do Produto de Software – O Usuário pode transferir todos seus direitos abrangidos por este EULA apenas como parte de uma venda ou transferência permanente do HARDWARE, desde que o Usuário não retenha cópias, transfira todo o PRODUTO DE SOFTWARE (incluindo todos os componentes, mídias e materiais impressos, quaisquer atualizações e este EULA), e desde que o destinatário aceite os termos deste EULA. Se o PRODUTO DE SOFTWARE for uma atualização, qualquer transferência deve incluir todas as versões anteriores do PRODUTO DE SOFTWARE.

(f) Término – Sem prejuízo de quaisquer outros direitos, a DSC pode suspender este EULA se o Usuário falhar no cumprimento dos termos e condições deste EULA. Se isso acontecer, o Usuário deverá destruir todas as cópias do PRODUTO DE SOFTWARE e todos seus componentes.

(g) Marcas Registradas – Este EULA não concede ao Usuário quaisquer direitos respeitantes a quaisquer marcas registradas ou de serviço da DSC ou de seus fornecedores.

3. DIREITOS AUTORAIS

Todos os títulos e direitos de propriedade intelectual relativos ao PRODUTO DE SOFTWARE (incluindo, entre outros, quaisquer imagens, fotos e textos incorporados no PRODUTO DE SOFTWARE), os materiais impressos que o acompanham e quaisquer cópias do PRODUTO DE SOFTWARE, são propriedade da DSC ou de seus fornecedores.

O Usuário não pode copiar os materiais impressos que acompanham o PRODUTO DE SOFTWARE. Todos os títulos e direitos de propriedade intelectual no e para o conteúdo que pode ser acessado através do uso do PRODUTO DE SOFTWARE são propriedade dos respectivos proprietários do conteúdo e podem ser protegidos por direitos autorais aplicáveis ou outras legislações e tratados de propriedade intelectual. Este EULA não confere ao Usuário quaisquer direitos para uso desse conteúdo. A DSC e seus fornecedores reservam-se todos os direitos não expressamente conferidos ao abrigo deste EULA.

4. RESTRIÇÕES À EXPORTAÇÃO

O Usuário assume que não exportará ou reexportará o PRODUTO DE SOFTWARE para qualquer país, indivíduo ou entidade sujeito a restrições de exportação Canadenses.

5. LEGISLAÇÃO APLICÁVEL

Este Acordo de Licença de Software é regido pelas leis da Província de Ontário, Canadá.

6. ARBITRAGEM

Todos os conflitos emergentes deste Acordo serão resolvidos por arbitragem final e obrigatória ao abrigo da Lei de Arbitragem, ficando as partes sujeitas à decisão arbitral. O local designado para a arbitragem será Toronto, no Canadá, e a língua da arbitragem será o inglês.

7. GARANTIA LIMITADA

(a) SEM GARANTIA – A DSC FORNECE O SOFTWARE “TAL COMO ESTÁ”, SEM GARANTIA. A DSC NÃO GARANTE QUE O SOFTWARE CUMPRIRÁ SEUS REQUISITOS OU QUE O FUNCIONAMENTO DO SOFTWARE SEJA ININTERRUPTO OU LIVRE DE ERROS.

(b) ALTERAÇÕES NO AMBIENTE OPERACIONAL – A DSC não se responsabiliza por problemas causados por alterações às características operacionais do HARDWARE, ou por problemas na interação do PRODUTO DE SOFTWARE com PRODUTOS DE SOFTWARE ou HARDWARE que não sejam produzidos pela DSC.

(c) LIMITAÇÕES DE RESPONSABILIDADE: A GARANTIA REFLETE A DISTRIBUIÇÃO DO RISCO – EM QUALQUER CASO, SE ALGUM ESTATUTO IMPLICAR GARANTIAS OU CONDIÇÕES NÃO MENCIONADAS NESTE CONTRATO DE LICENÇA, A RESPONSABILIDADE TOTAL DA DSC NÃO SERÁ SUPERIOR AO VALOR EFETIVAMENTE PAGO PELO USUÁRIO PELA LICENÇA DESTE PRODUTO DE SOFTWARE E CINCO DÓLARES CANADENSES (CAD \$5,00). COMO ALGUMAS JURISDIÇÕES NÃO PERMITEM A EXCLUSÃO OU LIMITAÇÃO DE RESPONSABILIDADE PARA DANOS CONSEQUENTES OU ACIDENTAIS, A LIMITAÇÃO SUPRACITADA PODERÁ NÃO SE APLICAR AO USUÁRIO.

(d) ISENÇÃO DE RESPONSABILIDADE DE GARANTIAS – ESTA GARANTIA CONTÉM A GARANTIA COMPLETA E DEVERÁ PREVALECER SOBRE TODA E QUALQUER GARANTIA, EXPRESSA OU IMPLÍCITA (INCLUINDO TODAS AS GARANTIAS IMPLÍCITAS DE COMERCIALIZAÇÃO OU ADAPTAÇÃO PARA UM DETERMINADO FIM), E TODAS AS OUTRAS OBRIGAÇÕES OU RESPONSABILIDADES POR PARTE DA DSC. A DSC NÃO OFERECE QUAISQUER OUTRAS GARANTIAS. A DSC NÃO ASSUME NEM AUTORIZA QUALQUER OUTRA PESSOA A ATUAR EM SEU NOME PARA MODIFICAR OU ALTERAR ESTA GARANTIA, NEM A ASSUMIR POR ELA (A DSC) QUALQUER OUTRA GARANTIA OU RESPONSABILIDADE RELACIONADA COM ESTE PRODUTO DE SOFTWARE.

(e) RECURSO EXCLUSIVO E LIMITAÇÃO DE GARANTIA – EM NENHUMA CIRCUNSTÂNCIA SERÁ A DSC RESPONSABILIZADA POR QUAISQUER DANOS ESPECIAIS, INCIDENTAIS, CONSEQUENTES OU INDIRETOS RESULTANTES DO NÃO CUMPRIMENTO DA GARANTIA, NÃO CUMPRIMENTO DO CONTRATO, NEGLIGÊNCIA, RESPONSABILIDADE OBJETIVA, OU QUALQUER OUTRA DISPOSIÇÃO LEGAL. TAIS DANOS INCLUEM, ENTRE OUTROS, A PERDA DE LUCROS, PERDA DO PRODUTO DE SOFTWARE OU QUALQUER EQUIPAMENTO ASSOCIADO, CUSTO DE CAPITAL, CUSTOS COM EQUIPAMENTO DE SUBSTITUIÇÃO, INSTALAÇÕES OU SERVIÇOS, TEMPO IMPRODUTIVO, TEMPO DE COMPRA, EXIGÊNCIAS DE TERCEIROS, INCLUINDO CLIENTES, E DANOS MATERIAIS.

AVISO: A DSC recomenda que todo o sistema seja completamente testado numa base de regularidade. No entanto, mesmo com testes frequentes e devido a, entre outros, violação criminosa ou interrupção elétrica, é possível que este PRODUTO DE SOFTWARE não funcione como esperado.

Certifique-se sempre de obter a versão mais recente do Guia do Usuário. Versões atualizadas deste Guia do Usuário estão disponíveis entrando em contato com seu distribuidor.

© 2022 Johnson Controls. Todos os direitos reservados. JOHNSON CONTROLS e DSC são marcas comerciais e/ou marcas comerciais registrada. O uso não autorizado é estritamente proibido.

www.dsc.com

Tech. Support: 1-800-387-3630 (Canada) 905-760-3000 (US)

PG9350SL user manual D-308404 29011055R001 Rev 1 (02/22)



29011055R001



D-308404