

uplink®

uplink® 5300

WiFi BRIDGE



FOR SALES, PRODUCT INFORMATION & TECHNICAL SUPPORT

Uplink
3330 Cumberland Blvd.
Suite 700
Atlanta, GA 30339
1-(888) 9-UPLINK, 1-(888)-987-5465
Fax 1-(888)-542-9105
sales@uplink.com
www.uplink.com



PRODUCT ID # 2033325300XX00

INSTALLATION & USER'S GUIDE

TABLE OF CONTENTS

Table of Contents	2
Introduction	3
SetUp	5
SetUpWizard	6-13

© 2013 Uplink Security, LLC. All rights reserved. Uplink is a trademark of Uplink Security, LLC.

No part of this publication may be reproduced or used in any form without permission in writing from Uplink. This includes electronic or mechanical means, such as photocopying, recording, or information storage and retrieval systems. The material in this manual is subject to change without notice.

Uplink reserves the right to make changes to any software or product to improve reliability, function or design.

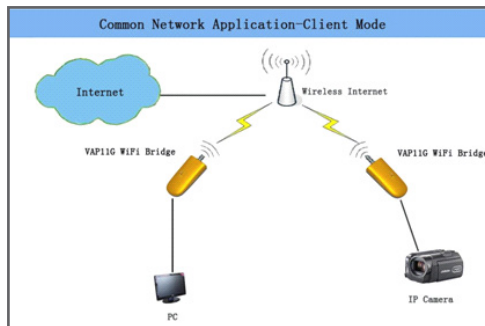
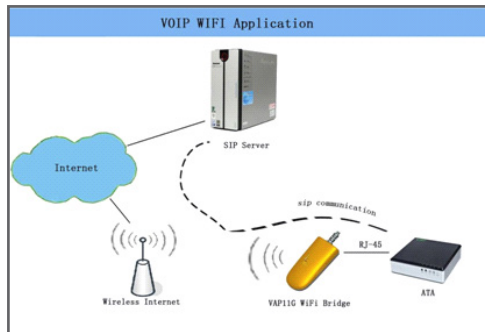
Uplink is a registered trademark of Uplink Security, LLC. All other trademarks are the property of their respective owners.

PRODUCT ID # 2033325300XX00

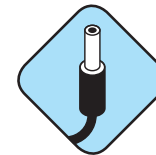
WiFi BRIDGE

INTRODUCTION

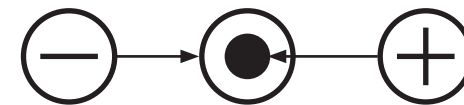
Thanks for choosing Uplink 5300 WiFi Bridge. With this portable device, IP Camera and other IT products with Ethernet. RJ45 port can access wireless network easily. Two kinds of application topology of Uplink 5300 are shown as below.



Uplink 5300 provides users a combination of Ethernet network and power cable, Uplink 5300 uses the original power supply of IP Camera or some other IT products' power supply which has DC 2.0 power jack (5-15V, 1.5W). One power supply can power Uplink 5300, as well as the IPCamera adapter.



Please use power supply with the polarity as shown below. Power supply with different polarity will damage Uplink 5300 and the devices which the power supply belongs to. Seller will NOT be responsible for the loss caused by using the incorrect power supply. (Both Power Jack and Power Port are compatible with this polarity)

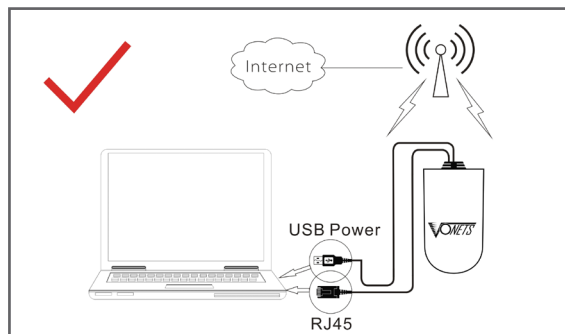
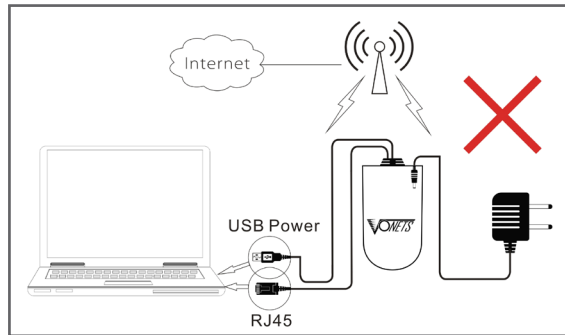


Correct Power Adapter Polarity

SETUP

Please set this Uplink 5200 before using it, you can connect it to PC and run the VAP11G_Setup.exe in the CD. The Physical

Connection for Setup as below:

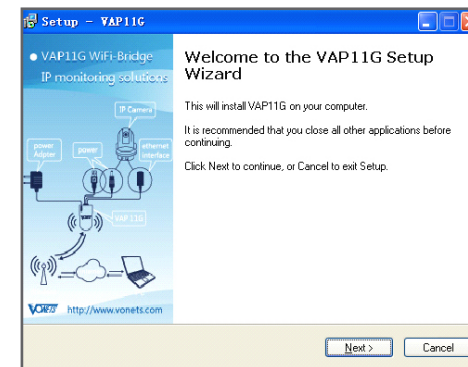


RUNNING THE SETUP WIZARD

- 1 Please put into the CD-ROM, the system will automatically eject the disk and guide page, please refer to the right picture and click the corresponding label.



- 2 Please click Install Software label to run the set up program, if it's shown the right picture, please click Next, Click Cancel to exit the installation Wizard.

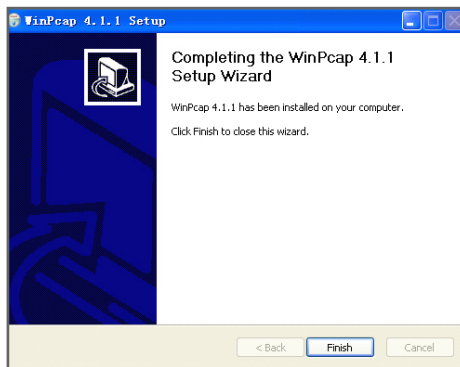


RUNNING THE SETUP WIZARD

- 3 If it's shown the right picture, please click Yes to install WINPCAP program.



- 4 Please click Next, don't need to do other settings until Finish.

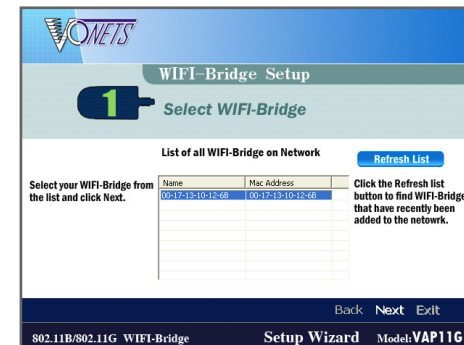


RUNNING THE SETUP WIZARD

- 5 After the installation is complete, please double click the desktop icon , the right picture shows it is searching the product MAC.

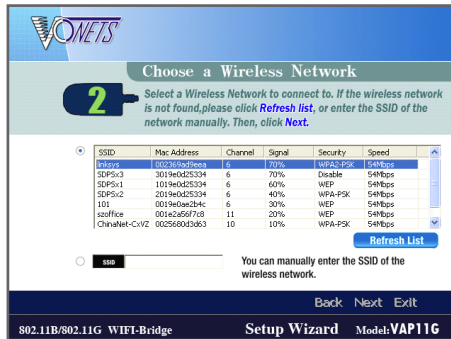


- 6 The right picture shows it is complete to search MAC, please Click Next.



RUNNING THE SETUP WIZARD

7 The right picture shows the product has searched the WiFi network, please choose the correct WiFi Network.



WPA

WPA automatically uses TKIP with dynamic encryption keys. Enter a passphrase on this screen.

Encryption - TKIP is automatically selected as the encryption method.

Click **Next** to proceed, or click **Back** to return to the previous screen.

WPA2

WPA2 automatically uses AES with dynamic encryption keys (AES is a stronger encryption method than TKIP).

Enter a passphrase on this screen.

Encryption - AES is automatically selected as the encryption method.

RUNNING THE SETUP WIZARD

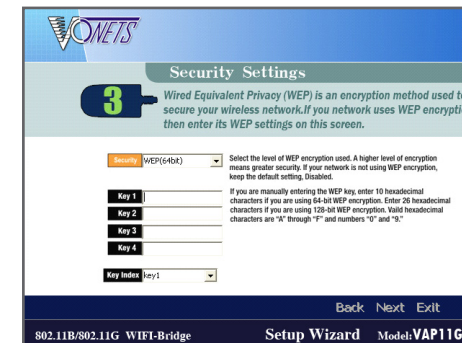
Click **Next** to proceed, or click **Back** to return to the previous screen.

WEP (128-Bit) or WEP (64-Bit)

Enter a passphrase in the Passphrase field and click **Next**. If you want to manually enter a WEP key, leave the Passphrase field blank and click **Next**.

Key 1-4 - One to four fields will be displayed, depending on the level of encryption you have selected. The WEP key you enter must match the WEP key of your wireless network. For 64-bit WEP encryption, enter exactly 10 hexadecimal characters. For 128-bit WEP encryption, enter exactly 26 hexadecimal characters. Valid hexadecimal characters are "0" to "9" and "A" to "F".

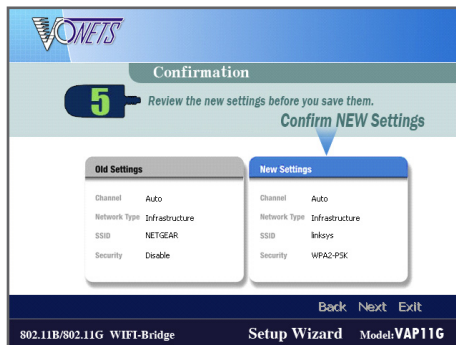
Key Index - The default transmit key number is 1. If your network's access point or wireless router uses transmit key number 2, 3, or 4, select the appropriate number from the Key Index drop-down menu.



Click **Next** to proceed, or click **Back** to return to the previous screen.

RUNNING THE SETUP WIZARD

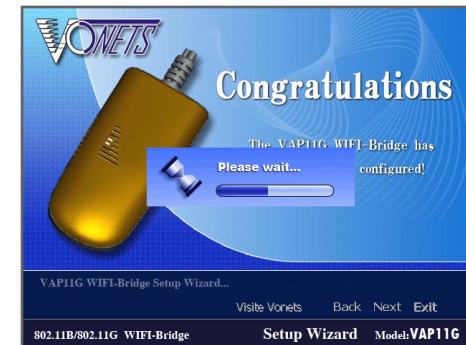
- 8 The New settings will be shown.
Click **Next** to save your new settings.



RUNNING THE SETUP WIZARD

- 9 Uplink 5300 will attempt to connect the wireless network with the new settings. Make sure the Bridge's Wireless LED is solidly lit or flashing. This indicates that the Bridge has connected to the wireless network. If the attempt succeeds, proceed to screen 12. If the attempt fails, you have two options offered by a pop-up screen. Click the **Yes** button to save the new settings and proceed, or click the **No** button to return to the *Choose a Wireless Network* screen and reconfigure the settings

- 10 The product is shown on the picture to obtain a gateway router.



RUNNING THE SETUP WIZARD

- 11 The right picture shows the product to obtain the gateway router successfully completed all the configurations to this, please click Successfully associated to wireless icon, then click Exit to exit the installation Wizard.



To make sure Uplink 5300 is working, cut off all other internet connection to the PC (only reserve the connection between the PC and Uplink 5300). If you setup Uplink 5300 successfully, the PC can view internet now.